



# Enterprise Capacity 2.5 HDD

SATA Product Manual

|                          | <b>Standard<br/>models</b>           | <b>Self-Encrypting<br/>models</b>    |
|--------------------------|--------------------------------------|--------------------------------------|
| <b>4096<br/>Native</b>   | <b>ST2000NX0243<br/>ST1000NX0303</b> | <b>ST2000NX0283<br/>ST1000NX0343</b> |
| <b>512<br/>Emulation</b> | <b>ST2000NX0253<br/>ST1000NX0313</b> | <b>ST2000NX0303<br/>ST1000NX0353</b> |
| <b>512<br/>Native</b>    | <b>ST2000NX0403<br/>ST1000NX0423</b> |                                      |

100751314, Rev. G  
September 2017

## Document Revision History

| Revision | Date       | Description of changes  |
|----------|------------|---|
| Rev. A   | 08/08/2014 | Initial release.  |
| Rev. B   | 01/29/2015 | Pages - fc, bc, 10-11 & 20: Applied new logos, applied new page numbering convention, deleted Index [no longer required], DC power tables: +5V avg Idle/Idle A current updates, changed MTBF to 2M, changed to "Maximum Rated Workload" & updated Workload text, delete text in Section 2.10.1. |
| Rev. C   | 02/09/2015 | Pages - 9 & 20: Corrected AFR value to 0.44%  |
| Rev. D   | 07/06/2015 | Page FC: Applied new cover design/layout<br>Pages FC, 6, 8, 10 & 34-35: Added 512N models & specs and 512N as needed.   |
| Rev. E   | 04/11/2016 | 8 & 10: Revised 5xxN Areal, Track and Linear Densities<br>9 & 21: Revised Warranty link text to - "Is my Drive under Warranty"<br>24: Revised Storage statement   |
| Rev. F   | 08/08/2017 | 9 & 31: Corrected to: Serial ATA Revision 3.1 specification   |
| Rev. G   | 09/29/2017 | fc & bc: Corrected publication # to 100751314<br>22-25: Updated Safety, EMC, FCC & RoHS Sections 2.12 through 2.13.3, per Compliance Council  |

© 2017 Seagate Technology LLC. All rights reserved.

Publication number: 100751314, Rev. G September 2017

Seagate, Seagate Technology and the Spiral logo are registered trademarks of Seagate Technology LLC in the United States and/or other countries. Raid Rebuild and SeaTools are either trademarks or registered trademarks of Seagate Technology LLC or one of its affiliated companies in the United States and/or other countries. The FIPS logo is a certification mark of NIST, which does not imply product endorsement by NIST, the U.S., or Canadian governments. All other trademarks or registered trademarks are the property of their respective owners.

No part of this publication may be reproduced in any form without written permission of Seagate Technology LLC.  
Call 877-PUB-TEK1 (877-782-8351) to request permission.

When referring to drive capacity, one gigabyte, or GB, equals one billion bytes and one terabyte, or TB, equals one trillion bytes. Your computer's operating system may use a different standard of measurement and report a lower capacity. In addition, some of the listed capacity is used for formatting and other functions, and thus will not be available for data storage. Actual quantities will vary based on various factors, including file size, file format, features and application software. Actual data rates may vary depending on operating environment and other factors. The export or re-export of hardware or software containing encryption may be regulated by the U.S. Department of Commerce, Bureau of Industry and Security (for more information, visit [www.bis.doc.gov](http://www.bis.doc.gov)), and controlled for import and use outside of the U.S. Seagate reserves the right to change, without notice, product offerings or specifications.

# Contents

|   |          |
|---|----------|
| <b>Seagate® Technology Support Services</b> ..... | <b>5</b> |
|---|----------|

---

|  |          |
|--|----------|
| <b>1.0 Introduction</b> .....            | <b>6</b> |
| 1.1 About the Serial ATA interface ..... | 7        |

---

|  |          |
|--|----------|
| <b>2.0 Drive specifications</b> .....  | <b>8</b> |
| 2.1 Specification summary tables .....   | 8        |
| 2.2 Formatted capacity .....   | 10       |
| 2.2.1 LBA mode .....   | 10       |
| 2.3 Recording and interface technology .....                                     | 10       |
| 2.4 Start/stop times .....   | 10       |
| 2.5 Power specifications .....   | 11       |
| 2.5.1 Power consumption .....  | 11       |
| 2.5.2 Conducted noise .....  | 15       |
| 2.5.3 Voltage tolerance .....  | 15       |
| 2.5.4 Power-management modes .....   | 15       |
| 2.5.5 Extended Power Conditions - PowerChoice™ .....                             | 16       |
| 2.6 Environmental limits .....   | 18       |
| 2.6.1 Temperature .....  | 18       |
| 2.6.2 Humidity .....   | 18       |
| 2.6.3 Effective Altitude (sea level) .....                                       | 18       |
| 2.6.4 Shock .....  | 19       |
| 2.6.5 Vibration .....  | 19       |
| 2.7 Acoustics .....  | 19       |
| 2.8 Test for Prominent Discrete Tones (PDTs) .....                               | 20       |
| 2.9 Electromagnetic immunity .....   | 20       |
| 2.10 Reliability .....   | 21       |
| 2.10.1 Annualized Failure Rate (AFR) and Mean Time Between Failures (MTBF) ..... | 21       |
| 2.11 Agency and Safety Certifications .....                                      | 22       |
| 2.11.1 Safety certification .....  | 22       |
| 2.11.2 European Union (EU) CE Marking Requirements .....                         | 22       |
| 2.11.3 Australian RCM Compliance Mark .....                                      | 22       |
| 2.11.4 Canada ICES-003 .....   | 22       |
| 2.11.5 South Korean KC Certification Mark .....                                  | 22       |
| 2.11.6 Morocco Commodity Mark .....  | 23       |
| 2.11.7 Taiwanese BSMI .....  | 23       |
| 2.11.8 FCC verification .....  | 23       |
| 2.12 Environmental protection .....  | 24       |
| 2.12.1 European Union Restriction of Hazardous Substance Law .....               | 24       |
| 2.12.2 China Requirements — China RoHS 2 .....                                   | 24       |
| 2.12.3 Taiwan Requirements — Taiwan RoHS .....                                   | 25       |
| 2.13 Corrosive environment .....   | 25       |
| 2.14 Product warranty .....  | 26       |

# Contents

---

|            |   |           |
|------------|---|-----------|
| <b>3.0</b> | <b>Configuring and mounting the drive</b> | <b>27</b> |
| 3.1        | Handling and static-discharge precautions | 27        |
| 3.2        | Configuring the drive                     | 27        |
| 3.3        | Serial ATA cables and connectors          | 27        |
| 3.4        | Drive mounting                            | 28        |
| 3.4.1      | Mechanical specifications                 | 29        |

---

|            |  |           |
|------------|--|-----------|
| <b>4.0</b> | <b>About self-encrypting drives</b>                | <b>30</b> |
| 4.1        | Data encryption                                    | 30        |
| 4.2        | Controlled access                                  | 30        |
| 4.2.1      | Admin SP   | 30        |
| 4.2.2      | Locking SP   | 30        |
| 4.2.3      | Default password                                   | 30        |
| 4.3        | Random number generator (RNG)                      | 30        |
| 4.4        | Drive locking                                      | 31        |
| 4.5        | Data bands   | 31        |
| 4.6        | Cryptographic erase                                | 31        |
| 4.7        | Authenticated firmware download                    | 31        |
| 4.8        | Power requirements                                 | 32        |
| 4.9        | Supported commands                                 | 32        |
| 4.10       | RevertSP   | 32        |
| 4.11       | ATA Security Erase Unit Command on SED SATA drives | 32        |
| 4.12       | Sanitize Device - CRYPTO SCRAMBLE EXT              | 32        |

---

|            |  |           |
|------------|--|-----------|
| <b>5.0</b> | <b>Serial ATA (SATA) interface</b>               | <b>33</b> |
| 5.1        | Hot-Plug compatibility                           | 33        |
| 5.2        | Serial ATA device plug connector pin definitions | 33        |
| 5.3        | Supported ATA commands                           | 34        |
| 5.3.1      | Identify Device command                          | 36        |
| 5.3.2      | Set Features command                             | 39        |
| 5.3.3      | S.M.A.R.T. commands                              | 40        |

# Figures

---

|           |  |    |
|-----------|--|----|
| Figure 1. | 2TB Typical 12V & 5V startup and operation current profile ..... | 13 |
| Figure 2. | 1TB Typical 12V & 5V startup and operation current profile ..... | 14 |
| Figure 3. | Location of the HDA temperature check point .....                | 18 |
| Figure 4. | Attaching SATA cabling .....                                     | 27 |
| Figure 5. | Breather hole location - top cover .....                         | 28 |
| Figure 6. | Mounting configuration dimensions.....                           | 29 |

# Seagate® Technology Support Services

For information regarding online support and services, visit: <http://www.seagate.com/contacts/>

For information regarding Warranty Support, visit: <http://www.seagate.com/support/warranty-and-replacements/>

For information regarding data recovery services, visit: <http://www.seagate.com/services-software/recover/>

For Seagate OEM, Distribution partner and reseller portals, visit: <http://www.seagate.com/partners/>

## 1.0 Introduction

This manual describes the functional, mechanical and interface specifications for the following Seagate® Enterprise Capacity 2.5 HDD v3 SATA model drives:

| Sector Size | Standard models | Self-Encrypting Drive (SED) models |
|-------------|-----------------|------------------------------------|
| 4096N       | ST2000NX0243    | ST2000NX0283                       |
|             | ST1000NX0303    | ST1000NX0343                       |
| 512E        | ST2000NX0253    | ST2000NX0303                       |
|             | ST1000NX0313    | ST1000NX0353                       |
| 512N        | ST2000NX0403    |                                    |
|             | ST1000NX0423    |                                    |

These drives provide the following key features:

- 128 MB data buffer.
- 7200 RPM spindle speed.
- Full-track multiple-sector transfer capability without local processor intervention.
- High instantaneous (burst) data-transfer rates (up to 600MB per second).
- Native Command Queuing with command ordering to increase performance in demanding applications.
- Perpendicular recording technology provides the drives with increased areal density.
- PowerChoice™ for selectable power savings
- SeaTools™ diagnostic software performs a drive self-test that eliminates unnecessary drive returns.
- State-of-the-art cache and on-the-fly error-correction algorithms.
- Support for S.M.A.R.T. drive monitoring and reporting.
- Supports latching SATA cables and connectors.
- Top Cover Attached motor for excellent vibration tolerance
- Worldwide Name (WWN) capability uniquely identifies the drive.

|             |   |
|-------------|---|
| <b>Note</b> | Seagate recommends validating the configuration with the selected HBA/RAID controller manufacturer to ensure use of full capacity is supported. |
|-------------|---|

|             |  |
|-------------|--|
| <b>Note</b> | Previous generations of Seagate Self-Encrypting Drive models were called Full Disk Encryption (FDE) models before a differentiation between drive-based encryption and other forms of encryption was necessary |
|-------------|--|

|             |  |
|-------------|--|
| <b>Note</b> | The Self-Encrypting Drive models indicated on the cover of this product manual have provisions for "Security of Data at Rest" based on the standards defined by the Trusted Computing Group (see <a href="http://www.trustedcomputinggroup.org">www.trustedcomputinggroup.org</a> ). |
|-------------|--|

## 1.1 About the Serial ATA interface

The Serial ATA interface provides several advantages over the traditional (parallel) ATA interface. The primary advantages include:

- Easy installation and configuration with true plug-and-play connectivity.
  - It is not necessary to set any jumpers or other configuration options.
- Thinner and more flexible cabling for improved enclosure airflow and ease of installation.
- Scalability to higher performance levels.

In addition, Serial ATA makes the transition from parallel ATA easy by providing legacy software support. Serial ATA was designed to allow users to install a Serial ATA host adapter and Serial ATA disk drive in the current system and expect all of the existing applications to work as normal.

The Serial ATA interface connects each disk drive in a point-to-point configuration with the Serial ATA host adapter. There is no master/slave relationship with Serial ATA devices like there is with parallel ATA. If two drives are attached on one Serial ATA host adapter, the host operating system views the two devices as if they were both “masters” on two separate ports. This essentially means both drives behave as if they are Device 0 (master) devices.

|             |   |
|-------------|---|
| <b>Note</b> | The host adapter may, optionally, emulate a master/slave environment to host software where two devices on separate Serial ATA ports are represented to host software as a Device 0 (master) and Device 1 (slave) accessed at the same set of host bus addresses. A host adapter that emulates a master/slave environment manages two sets of shadow registers. This is not a typical Serial ATA environment. |
|-------------|---|

The Serial ATA host adapter and drive share the function of emulating parallel ATA device behavior to provide backward compatibility with existing host systems and software. The Command and Control Block registers, PIO and DMA data transfers, resets, and interrupts are all emulated.

The Serial ATA host adapter contains a set of registers that shadow the contents of the traditional device registers, referred to as the Shadow Register Block. All Serial ATA devices behave like Device 0 devices. For additional information about how Serial ATA emulates parallel ATA, refer to the “Serial ATA: High Speed Serialized AT Attachment” specification. The specification can be downloaded from [www.serialata.org](http://www.serialata.org).



## 2.0 Drive specifications

Unless otherwise noted, all specifications are measured under ambient conditions, at 25°C, and nominal power. For convenience, the phrases *the drive* and *this drive* are used throughout this manual to indicate the following drive models:

| Sector Size | Standard models | Self-Encrypting Drive (SED) models |
|-------------|-----------------|------------------------------------|
| 4096N       | ST2000NX0243    | ST2000NX0283                       |
|             | ST1000NX0303    | ST1000NX0343                       |
| 512E        | ST2000NX0253    | ST2000NX0303                       |
|             | ST1000NX0313    | ST1000NX0353                       |
| 512N        | ST2000NX0403    |                                    |
|             | ST1000NX0423    |                                    |

## 2.1 Specification summary tables

The specifications listed in the following tables are for quick reference. For details on specification measurement or definition, see the appropriate section of this manual.

**Table 1 Drive specifications summary**

| Drive specification                            | ST2000NX0243<br>ST2000NX0283   | ST2000NX0253<br>ST2000NX0303 | ST2000NX0403 | ST1000NX0423    | ST1000NX0313<br>ST1000NX0353 | ST1000NX0303<br>ST1000NX0343 |
|--|--|------------------------------|--------------|-----------------|------------------------------|------------------------------|
| Formatted (512 bytes/sector)*                  | 2TB  |                              |              | 1TB             |                              |                              |
| Guaranteed sectors                             | 488,378,646  | 3,907,029,168                |              | 1,953,525,168   |                              | 244,190,646                  |
| Heads  | 10   |                              |              | 5               |                              |                              |
| Discs  | 5  |                              |              | 3               |                              |                              |
| Bytes per sector                               | 4096   | 512                          |              |                 | 4096                         |                              |
| Recording density<br>KBPI (Kb/in max)          | 1889   |                              | 1998         |                 | 1889                         |                              |
| Track density, KTPI (ktracks/in avg.)          | 315  |                              | 335          |                 | 315                          |                              |
| Areal density, (Gb/in <sup>2</sup> avg)        | 585  |                              | 640          |                 | 585                          |                              |
| Spindle speed (RPM)                            | 7200   |                              |              |                 |                              |                              |
| Internal data transfer rate<br>(Mb/s max)      | 2160   |                              |              |                 |                              |                              |
| Sustained data transfer rate OD<br>(MiB/s max) | 130 (136 MB/s max)   |                              |              |                 |                              |                              |
| I/O data-transfer rate (MB/s max)              | 600  |                              |              |                 |                              |                              |
| ATA data-transfer modes<br>supported           | PIO modes 0–4<br>Multiword DMA modes 0–2<br>Ultra DMA modes 0–6        |                              |              |                 |                              |                              |
| Cache buffer                                   | 128MB (129,536KB)  |                              |              |                 |                              |                              |
| Weight: (maximum)                              | 198g (0.437 lb)  |                              |              | 190g (0.419 lb) |                              |                              |
| Average latency                                | 4.16ms   |                              |              |                 |                              |                              |
| Power-on to ready (sec) (max)                  | 20   |                              |              |                 |                              |                              |
| Standby to ready (sec) (max)                   | 20   |                              |              |                 |                              |                              |
| Startup current<br>(typical) 12V (peak)        | 2.0A<br>1.85A (optional configuration through Smart Command Transport) |                              |              |                 |                              |                              |
| Voltage tolerance<br>(including noise)         | 5V ±5%<br>12V ±5%  |                              |              |                 |                              |                              |
| Ambient temperature                            | 5° to 55°C (operating/tested)<br>–40° to 70°C (nonoperating)           |                              |              |                 |                              |                              |

| Drive specification   | ST2000NX0243<br>ST2000NX0283   | ST2000NX0253<br>ST2000NX0303 | ST2000NX0403 | ST1000NX0423 | ST1000NX0313<br>ST1000NX0353 | ST1000NX0303<br>ST1000NX0343 |
|---|--|------------------------------|--------------|--------------|------------------------------|------------------------------|
| Temperature gradient<br>(°C per hour max)                               | 20°C (operating)<br>20°C (nonoperating)  |                              |              |              |                              |                              |
| Relative humidity   | 5% to 95% (operating)<br>5% to 95% (nonoperating)  |                              |              |              |                              |                              |
| Relative humidity gradient  | 20% per hour max   |                              |              |              |                              |                              |
| Altitude, operating   | -304.8 m to 3,048 m<br>(-1000 ft to 10,000+ ft)  |                              |              |              |                              |                              |
| Altitude, nonoperating<br>(below mean sea level, max)                   | -304.8 m to 12,192 m<br>(-1000 ft to 40,000+ ft)   |                              |              |              |                              |                              |
| Operational Shock (max at 2 ms)   | 25 Gs  |                              |              |              |                              |                              |
| Non-Operational Shock<br>(max at 2 ms)                                  | 400 Gs   |                              |              |              |                              |                              |
| Vibration, operating  | 10–500 Hz: 0.5 Gs  |                              |              |              |                              |                              |
| Operation Rotational vibration  | 20–1500Hz: 16 rads/s <sup>2</sup>  |                              |              |              |                              |                              |
| Vibration, nonoperating   | 10–500 Hz: 2.4 Grms ref  |                              |              |              |                              |                              |
| Drive acoustics, sound power (bels)                                     |  |                              |              |              |                              |                              |
| Idle**  | 2.8 (typical)<br>3.0 (max)   |                              |              |              |                              |                              |
| Performance seek  | 3.2 (typical)<br>3.4 (max)   |                              |              |              |                              |                              |
| Nonrecoverable read errors  | 1 sector per 10 <sup>15</sup> bits read  |                              |              |              |                              |                              |
| Annualized Failure Rate (AFR)   | 0.44% based on 8760 POH  |                              |              |              |                              |                              |
| Warranty  | To determine the warranty for a specific drive, use a web browser to access the following web page:<br><a href="http://www.seagate.com/support/warranty-and-replacements/">http://www.seagate.com/support/warranty-and-replacements/</a> .<br>From this page, click on the “Is my Drive under Warranty” link. The following are required to be provided:<br>the drive serial number, model number (or part number) and country of purchase. The system will display<br>the warranty information for the drive. |                              |              |              |                              |                              |
| Load-unload cycles  | 300,000 (25°C, 50% rel. humidity) (600,000 design life testing)  |                              |              |              |                              |                              |
| Supports Hotplug operation per<br>Serial ATA Revision 3.1 specification | Yes  |                              |              |              |                              |                              |

\*One GB equals one billion bytes when referring to hard drive capacity. Accessible capacity may vary depending on operating environment and formatting.

\*\*During periods of drive idle, some offline activity may occur according to the S.M.A.R.T. specification, which may increase acoustic and power to operational levels.

## 2.2 Formatted capacity

| Formatted capacity*                         | Guaranteed sectors | Bytes per logical sector |
|---|--------------------|--------------------------|
| ST2000NX0253, ST2000NX0303 and ST2000NX0403 | 3,907,029,168      | 512                      |
| ST1000NX0313, ST1000NX0353 and ST1000NX0423 | 1,953,525,168      |                          |
| ST2000NX0243, ST2000NX0283                  | 488,378,646        | 4096                     |
| ST1000NX0303, ST1000NX0343                  | 244,190,646        |                          |

\*One GB equals one billion bytes when referring to hard drive capacity. Accessible capacity may vary depending on operating environment and formatting.

### 2.2.1 LBA mode

When addressing these drives in LBA mode, all blocks (sectors) are consecutively numbered from 0 to  $n-1$ , where  $n$  is the number of guaranteed sectors as defined above.

See Section 5.3.1, "Identify Device command" (words 60-61 and 100-103) for additional information about 48-bit addressing support of drives with capacities over 137GB.

## 2.3 Recording and interface technology

|  |                        |
|--|------------------------|
| Interface                                | Serial ATA (SATA)      |
| Recording method                         | Perpendicular          |
| Recording density, KBPI (Kb/in max)      |                        |
| All others                               | 1889                   |
| ST2000NX0403 and ST1000NX0423            | 1998                   |
| Track density, KTPI (ktracks/in avg)     |                        |
| All others                               | 315                    |
| ST2000NX0403 and ST1000NX0423            | 335                    |
| Areal density (Gb/in <sup>2</sup> avg)   |                        |
| All others                               | 585                    |
| ST2000NX0403 and ST1000NX0423            | 640                    |
| Spindle speed (RPM) ( $\pm 0.2\%$ )      | 7200                   |
| Internal data transfer rate (Mb/s max)   | 2160                   |
| Sustained data transfer rate (MiB/s max) | 130 (136 MB/s max)     |
| I/O data-transfer rate (MB/s max)        | 600 (Ultra DMA mode 5) |

## 2.4 Start/stop times

|                                   |    |
|-----------------------------------|----|
| Power-on to Ready (sec) (max)     | 20 |
| Standby to Ready (sec) (max)      | 20 |
| Ready to spindle stop (sec) (max) | 20 |

## 2.5 Power specifications

The drive receives DC power (+5V and +12V) through a native SATA power connector. See Figure 4 on page 27.

### 2.5.1 Power consumption

Power requirements for the drives are listed in Table 2 and Table 3. Typical power measurements are based on an average of drives tested, under nominal conditions, using 5.0V and 12.0V input voltage at 25°C ambient temperature.

Operation at 3 Gb mode reduces the +5V supply load by 3mA with a commensurate power reduction of 15mW.

|             |  |
|-------------|--|
| <b>Note</b> | There is no measurable impact to the 12V supply load when running at lower interface speeds. |
|-------------|--|

**Table 2 2TB standard drive DC power requirements**

|                                      | 6.0Gb mode |             |              |
|--------------------------------------|------------|-------------|--------------|
|                                      | (Amps)     | (Amps)      | (Watts)      |
| Voltage                              | <b>+5V</b> | <b>+12V</b> | <b>Total</b> |
| Regulation                           | ± 5%       | ± 5%        |              |
| Avg idle current DC *                | 0.44       | 0.16        | 4.12         |
| Advanced Idle Current *              |            |             |              |
| Idle_A                               | 0.44       | 0.16        | 4.12         |
| Idle_B                               | 0.22       | 0.10        | 2.30         |
| Idle_C                               | 0.21       | 0.07        | 1.89         |
| Standby                              | 0.18       | 0.02        | 1.14         |
| Maximum starting current             |            |             |              |
| (peak DC) DC                         | 0.50       | 0.70        |              |
| (peak AC) AC                         | 0.79       | 0.97        |              |
| Delayed motor start (max) DC         | 0.19       | 0.03        | 1.31         |
| Operating current (random read):     |            |             |              |
| Typical DC                           | 0.30       | 0.31        | 5.22         |
| Maximum DC                           | 0.38       | 0.34        | 5.98         |
| Maximum (peak) DC                    | 1.12       | 0.89        |              |
| Operating current (random write)     |            |             |              |
| Typical DC                           | 0.30       | 0.30        | 5.10         |
| Maximum DC                           | 0.36       | 0.34        | 5.88         |
| Maximum (peak) DC                    | 1.12       | 0.92        |              |
| Operating current (sequential read)  |            |             |              |
| Typical DC                           | 0.48       | 0.17        | 4.44         |
| Maximum DC                           | 0.55       | 0.19        | 5.03         |
| Maximum (peak) DC                    | 0.70       | 0.33        |              |
| Operating current (sequential write) |            |             |              |
| Typical DC                           | 0.44       | 0.20        | 4.60         |
| Maximum DC                           | 0.49       | 0.22        | 5.09         |
| Maximum (peak) DC                    | 0.60       | 0.33        |              |

\*During periods of drive idle, some offline activity may occur according to the S.M.A.R.T. specification, which may increase acoustic and power to operational levels.

**Table 3 1TB standard drive DC power requirements**

|                                      | <b>6.0Gb mode</b> |               |                |
|--------------------------------------|-------------------|---------------|----------------|
|                                      | <b>(Amps)</b>     | <b>(Amps)</b> | <b>(Watts)</b> |
| Voltage                              | <b>+5V</b>        | <b>+12V</b>   | <b>Total</b>   |
| Regulation                           | <b>± 5%</b>       | <b>± 5%</b>   |                |
| Avg idle current DC *                | 0.44              | 0.13          | 3.76           |
| Advanced Idle Current *              |                   |               |                |
| Idle_A                               | 0.44              | 0.13          | 3.76           |
| Idle_B                               | 0.22              | 0.10          | 2.30           |
| Idle_C                               | 0.21              | 0.07          | 1.89           |
| Standby                              | 0.18              | 0.02          | 1.14           |
| Maximum starting current             |                   |               |                |
| (peak DC) DC                         | 0.50              | 0.70          |                |
| (peak AC) AC                         | 0.79              | 0.97          |                |
| Delayed motor start (max) DC         | 0.19              | 0.03          | 1.31           |
| Operating current (random read):     |                   |               |                |
| Typical DC                           | 0.30              | 0.27          | 4.74           |
| Maximum DC                           | 0.38              | 0.31          | 5.62           |
| Maximum (peak) DC                    | 1.12              | 0.86          |                |
| Operating current (random write)     |                   |               |                |
| Typical DC                           | 0.30              | 0.25          | 4.50           |
| Maximum DC                           | 0.36              | 0.29          | 5.28           |
| Maximum (peak) DC                    | 1.12              | 0.86          |                |
| Operating current (sequential read)  |                   |               |                |
| Typical DC                           | 0.48              | 0.13          | 3.96           |
| Maximum DC                           | 0.55              | 0.15          | 4.55           |
| Maximum (peak) DC                    | 0.70              | 0.31          |                |
| Operating current (sequential write) |                   |               |                |
| Typical DC                           | 0.44              | 0.16          | 4.12           |
| Maximum DC                           | 0.49              | 0.17          | 4.49           |
| Maximum (peak) DC                    | 0.60              | 0.30          |                |

\*During periods of drive idle, some offline activity may occur according to the S.M.A.R.T. specification, which may increase acoustic and power to operational levels.

### 2.5.1.1 Typical current profiles

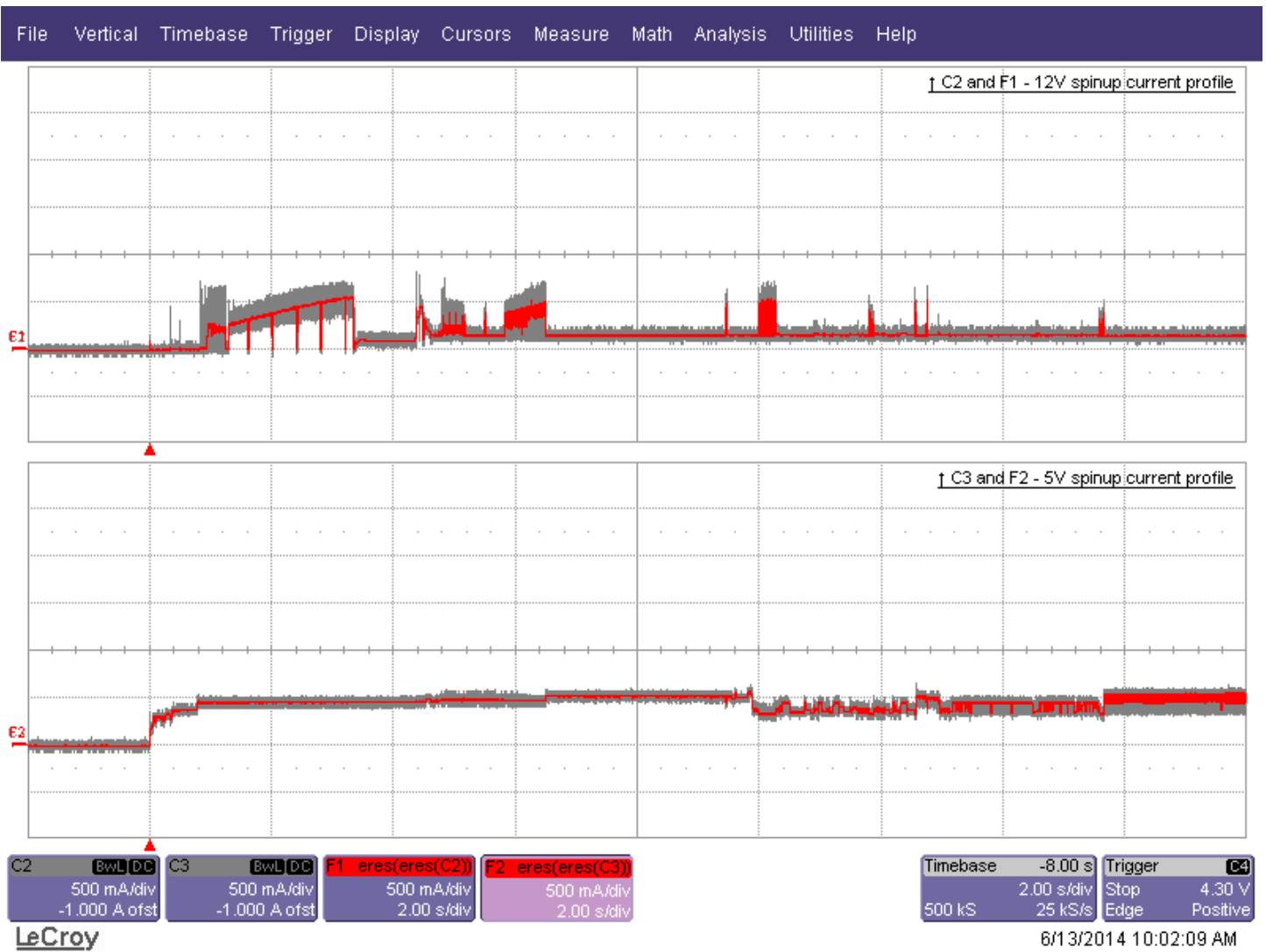


Figure 1. 2TB Typical 12V & 5V startup and operation current profile

### 2.5.1.2 Typical current profiles

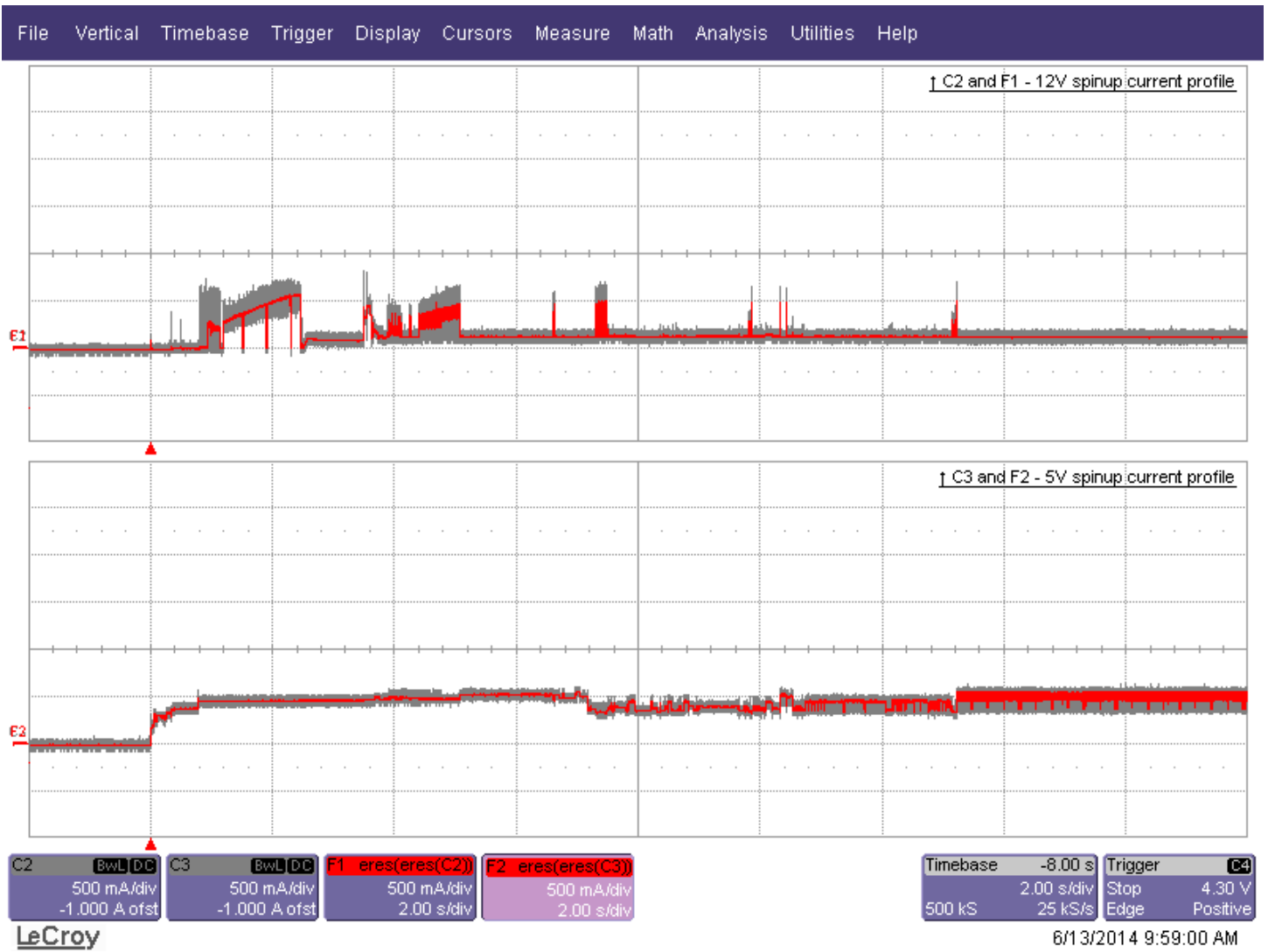


Figure 2. 1TB Typical 12V & 5V startup and operation current profile

### 2.5.2 Conducted noise

Noise is specified as a periodic and random distribution of frequencies covering a defined frequency range. Maximum allowed noise values given below are peak-to-peak measurements and apply at the drive power connector.

- +5v = 250 mV pp from 100 Hz to 20 MHz.
- +12v = 450 mV pp from 100 Hz to 100 KHz.  
250 mV pp from 100 KHz to 20 MHz.  
150 mV pp from 20 MHz to 80 MHz.

### 2.5.3 Voltage tolerance

Voltage tolerance (including noise):

- 5V  $\pm$  5%
- 12V  $\pm$  5%

### 2.5.4 Power-management modes

The drive provides programmable power management to provide greater energy efficiency. In most systems, the user can control power management through the system setup program. The drive features the following power-management modes:

| Power modes | Heads     | Spindle               | Buffer   |
|-------------|-----------|-----------------------|----------|
| Active      | Tracking  | Rotating              | Enabled  |
| Idle_a      | ID Biased | Rotating              | Enabled  |
| Idle_b      | Parked    | Rotating              | Enabled  |
| Idle_c      | Parked    | Rotating at lower RPM | Enabled  |
| Standby     | Parked    | Stopped               | Enabled  |
| Sleep       | Parked    | Stopped               | Disabled |

- **Active mode**

The drive is in Active mode during the read/write and seek operations.

- **Idle mode**

The buffer remains enabled, and the drive accepts all commands and returns to Active mode any time disk access is necessary.

- **Standby mode**

The drive enters Standby mode when the host sends a Standby Immediate command. If the host has set the standby timer, the drive can also enter Standby mode automatically after the drive has been inactive for a specifiable length of time. The standby timer delay is established using a Standby or Idle command. In Standby mode, the drive buffer is enabled, the heads are parked and the spindle is at rest. The drive accepts all commands and returns to Active mode any time disk access is necessary.

- **Sleep mode**

The drive enters Sleep mode after receiving a Sleep command from the host. In Sleep mode, the drive buffer is disabled, the heads are parked and the spindle is at rest. The drive leaves Sleep mode after it receives a Hard Reset or Soft Reset from the host. After receiving a reset, the drive exits Sleep mode and enters Standby mode with all current translation parameters intact.

- **Idle and Standby timers**

Each time the drive performs an Active function (read, write or seek), the standby timer is reinitialized and begins counting down from its specified delay times to zero. If the standby timer reaches zero before any drive activity is required, the drive makes a transition to Standby mode. In both Idle and Standby mode, the drive accepts all commands and returns to Active mode when disk access is necessary.



## 2.5.5 Extended Power Conditions - PowerChoice™

Utilizing the load/unload architecture a programmable power management interface is provided to tailor systems for reduced power consumption and performance requirements.

The table below lists the supported power conditions available in PowerChoice. Power conditions are ordered from highest power consumption (and shortest recovery time) to lowest power consumption (and longest recovery time) as follows: Idle\_a power >= Idle\_b power >= Idle\_c power >= Standby\_z power. The further users go down in the table, the more power savings is actualized. For example, Idle\_b results in greater power savings than the Idle\_a power condition. Standby results in the greatest power savings.

| Power Condition Name | Power Condition ID | Description  |
|----------------------|--------------------|--|
| Idle_a               | 81 <sub>H</sub>    | Reduced electronics                                |
| Idle_b               | 82 <sub>H</sub>    | Heads unloaded. Disks spinning at full RPM         |
| Idle_c               | 83 <sub>H</sub>    | Heads unloaded. Disks spinning at reduced RPM      |
| Standby_z            | 00 <sub>H</sub>    | Heads unloaded. Motor stopped (disks not spinning) |

Each power condition has a set of current, saved and default settings. Default settings are not modifiable. Default and saved settings persist across power-on resets. The current settings do not persist across power-on resets. At the time of manufacture, the default, saved and current settings are in the Power Conditions log match.

### PowerChoice is invoked using one of two methods

- Automatic power transitions which are triggered by expiration of individual power condition timers. These timer values may be customized and enabled using the Extended Power Conditions (EPC) feature set using the standardized Set Features command interface.
- Immediate host commanded power transitions may be initiated using an EPC Set Features "Go to Power Condition" subcommand to enter any supported power condition. Legacy power commands Standby Immediate and Idle Immediate also provide a method to directly transition the drive into supported power conditions.

### PowerChoice exits power saving states under the following conditions

- Any command which requires the drive to enter the PM0: Active state (media access)
- Power on reset

### PowerChoice provides the following reporting methods for tracking purposes

Check Power Mode Command

- Reports the current power state of the drive

Identify Device Command

- EPC Feature set supported flag
- EPC Feature enabled flag is set if at least one Idle power condition timer is enabled

Power Condition Log reports the following for each power condition

- Nominal recovery time from the power condition to active
- If the power condition is Supported, Changeable, and Savable
- Default enabled state, and timer value
- Saved enabled state, and timer value
- Current enabled state, and timer value

S.M.A.R.T. Read Data Reports

- Attribute 192 - Emergency Retract Count
- Attribute 193 - Load/Unload Cycle Count

### PowerChoice Manufacture Default Power Condition Timer Values

Default power condition timer values have been established to assure product reliability and data integrity. A minimum timer value threshold of two minutes ensures the appropriate amount of background drive maintenance activities occur. Attempting to set a timer values less than the specified minimum timer value threshold will result in an aborted EPC "Set Power Condition Timer" subcommand.

| Power Condition Name | Manufacturer Default Timer Values |
|----------------------|-----------------------------------|
| Idle_a               | 1 sec                             |
| Idle_b               | 4 min                             |
| Idle_c               | 10 min                            |
| Standby_z            | 15 min                            |

Setting power condition timer values less than the manufacturer specified defaults or issuing the EPC "Go to Power Condition" subcommand at a rate exceeding the default timers may limit this products reliability and data integrity.

### PowerChoice Supported Extended Power Condition Feature Subcommands

| EPC Subcommand  | Description                      |
|-----------------|----------------------------------|
| 00 <sub>H</sub> | Restore Power Condition Settings |
| 01 <sub>H</sub> | Go to Power Condition            |
| 02 <sub>H</sub> | Set Power Condition Timer        |
| 03 <sub>H</sub> | Set Power Condition State        |
| 04 <sub>H</sub> | Enable EPC Feature Set           |
| 05 <sub>H</sub> | Disable EPC Feature Set          |

### PowerChoice Supported Extended Power Condition Identifiers

| Power Condition Identifiers | Power Condition Name     |
|-----------------------------|--------------------------|
| 00 <sub>H</sub>             | Standby_z                |
| 01 - 80 <sub>H</sub>        | Reserved                 |
| 81 <sub>H</sub>             | Idle_a                   |
| 82 <sub>H</sub>             | Idle_b                   |
| 83 <sub>H</sub>             | Idle_c                   |
| 84 - FE <sub>H</sub>        | Reserved                 |
| FF <sub>H</sub>             | All EPC Power Conditions |

## 2.6 Environmental limits

Temperature and humidity values experienced by the drive must be such that condensation does not occur on any drive part. Altitude and atmospheric pressure specifications are referenced to a standard day at 58.7°F (14.8°C).

|             |  |
|-------------|--|
| <b>Note</b> | To maintain optimal performance drives should be run at nominal drive temperatures and humidity. |
|-------------|--|

### 2.6.1 Temperature

#### a. Operating

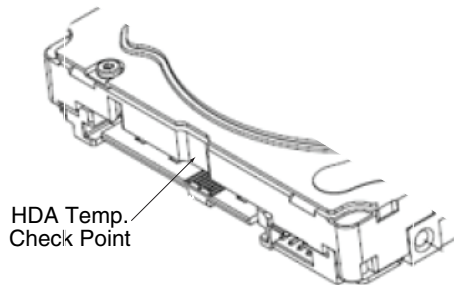
41°F to 131°F (5°C to 55°C) drive case temperature range with a maximum temperature gradient of 36°F (20°C) per hour.

The maximum allowable drive case temperature is 140°F (60°C).

Air flow may be required to achieve consistent nominal case temperature values (see Section 3.4). To confirm that the required cooling is provided for the electronics and HDA, place the drive in its final mechanical configuration, and perform random write/read operations. After the temperatures stabilize, measure the case temperature of the drive. See Figure 3 for HDA temperature checkpoint.

#### b. Non-operating

–40° to 158°F (–40° to 70°C) package ambient with a maximum gradient of 36°F (20°C) per hour. This specification assumes that the drive is packaged in the shipping container designed by Seagate for use with drive.



**Figure 3. Location of the HDA temperature check point**

|             |   |
|-------------|---|
| <b>Note</b> | Image is for reference only, may not represent actual drive |
|-------------|---|

### 2.6.2 Humidity

The values below assume that no condensation on the drive occurs. Maximum wet bulb temperature is 84.2°F (29°C).

#### 2.6.2.1 Relative humidity

|               |   |
|---------------|---|
| Operating:    | 5% to 95% non-condensing relative humidity with a maximum gradient of 20% per hour. |
| Nonoperating: | 5% to 95% non-condensing relative humidity with a maximum gradient of 20% per hour. |

### 2.6.3 Effective Altitude (sea level)

|               |   |
|---------------|---|
| Operating:    | –304.8 m to 3048 m (–1000 ft. to 10,000+ ft.)   |
| Nonoperating: | –304.8 m to 12,192 m (–1000 ft. to 40,000+ ft.) |

## 2.6.4 Shock

All shock specifications assume that the drive is mounted securely with the input shock applied at the drive mounting screws. Shock may be applied in the X, Y or Z axis.

### 2.6.4.1 Operating shock

These drives comply with the performance levels specified in this document when subjected to a maximum operating shock of 25 Gs based on half-sine shock pulses of 2ms. Shocks should not be repeated more than two times per second.

### 2.6.4.2 Nonoperating shock

The nonoperating shock level that the drive can experience without incurring physical damage or degradation in performance when subsequently put into operation is 400 Gs based on a nonrepetitive half-sine shock pulse of 2ms duration.

## 2.6.5 Vibration

All vibration specifications assume that the drive is mounted securely with the input vibration applied at the drive mounting screws. Vibration may be applied in the X, Y or Z axis.

### 2.6.5.1 Operating vibration

The maximum vibration levels that the drive may experience while meeting the performance standards specified in this document are specified below.

|                     |                               |
|---------------------|-------------------------------|
| 10 - 500 Hz         | 0.5 Gs                        |
| 20 - 1800Hz *(RROV) | 16 rads/s <sup>2</sup> w/RVFF |

\* Rotary Random Operating Vibration

### 2.6.5.2 Nonoperating vibration

The maximum nonoperating vibration levels that the drive may experience without incurring physical damage or degradation in performance when subsequently put into operation are specified below.

|                           |              |
|---------------------------|--------------|
| 10 - 500 Hz Linear Random | 2.4 Grms ref |
|---------------------------|--------------|

## 2.7 Acoustics

Drive acoustics are measured as overall A-weighted acoustic sound power levels (no pure tones). All measurements are consistent with ISO document 7779. Sound power measurements are taken under essentially free-field conditions over a reflecting plane. For all tests, the drive is oriented with the cover facing upward.

|             |   |
|-------------|---|
| <b>Note</b> | For seek mode tests, the drive is placed in seek mode only.<br>The number of seeks per second is defined by the following equation:<br><br>(Number of seeks per second = 0.4 / (average latency + average access time)) |
|-------------|---|

**Table 4 Fluid Dynamic Bearing (FDB) motor acoustics**

|            | Idle*                            | Performance seek                 |
|------------|----------------------------------|----------------------------------|
| All models | 2.8 bels (typ)<br>3.0 bels (max) | 3.2 bels (typ)<br>3.4 bels (max) |

\*During periods of drive idle, some offline activity may occur according to the S.M.A.R.T. specification, which may increase acoustic and power to operational levels.

## 2.8 Test for Prominent Discrete Tones (PDTs)

Seagate follows the ECMA-74 standards for measurement and identification of PDTs. An exception to this process is the use of the absolute threshold of hearing. Seagate uses this threshold curve (originated in ISO 389-7) to discern tone audibility and to compensate for the inaudible components of sound prior to computation of tone ratios according to Annex D of the ECMA-74 standards.

## 2.9 Electromagnetic immunity

When properly installed in a representative host system, the drive operates without errors or degradation in performance when subjected to the radio frequency (RF) environments defined in the following table:

**Table 5 Radio frequency environments**

| Test                           | Description  |                    |                 |                    | Performance Level/Criteria | Reference standard |
|--------------------------------|--|--------------------|-----------------|--------------------|----------------------------|--------------------|
| Electrostatic discharge        | Contact, HCP, VCP: $\pm 4$ kV; Air: $\pm 8$ kV       |                    |                 |                    | B                          | EN 61000-4-2       |
| Radiated RF immunity           | 80 to 1000 MHz, 6 V/m, 80% AM with 1 kHz sine        |                    |                 |                    | A                          | EN 61000-4-3:      |
| Electrical fast transient      | $\pm 1$ kV on AC mains, $\pm 0.5$ kV on external I/O |                    |                 |                    | B                          | EN 61000-4-4:      |
| Surge immunity                 | $\pm 1$ kV differential, $\pm 2$ kV common, AC mains |                    |                 |                    | B                          | EN 61000-4-5:      |
| Conducted RF immunity          | 150 kHz to 80 MHz, 3 Vrms, 80% AM with 1 kHz sine    |                    |                 |                    | A                          | EN 61000-4-6:      |
| Power Frequency Magnetic Field | 1A/m three axis es                                   |                    |                 |                    | A                          | EN 61000-4-8:      |
| Voltage dips, interrupts       | <b># of Events</b>                                   | <b>% Reduction</b> | <b>Duration</b> | <b>Phase Angle</b> | 1<br>1<br>3<br>3<br>3      | EN 61000-4-11:     |
|                                | 3  | 100%               | 0.5 Cycles      | 0°                 |                            |                    |
|                                | 3  | 100%               | 0.5 Cycles      | 180°               |                            |                    |
|                                | 3  | 30%                | 30 Cycles       | 0°                 |                            |                    |
|                                | 3  | 30%                | 30 Cycles       | 180°               |                            |                    |
| 1                              | 100%   | 300 Cycles         | 0°              | 3                  |                            |                    |

## 2.10 Reliability

### 2.10.1 Annualized Failure Rate (AFR) and Mean Time Between Failures (MTBF)

The production disk drive shall achieve an annualized failure-rate of 0.44% (MTBF of 2,000,000 hours) over a 5 year service life when used in Enterprise Storage field conditions as limited by the following:

- 8760 power-on hours per year.
- HDA temperature as reported by the drive  $\leq 40^{\circ}\text{C}$
- Ambient wet bulb temp  $\leq 26^{\circ}\text{C}$
- Typical I/O workload
- The AFR (MTBF) is a population statistic not relevant to individual units
- ANSI/ISA S71.04-2013 G2 classification levels and dust contamination to ISO 14644-1 Class 8 standards (as measured at the device)

The MTBF specification for the drive assumes the operating environment is designed to maintain nominal drive temperature and humidity. Occasional excursions in operating conditions between the rated MTBF conditions and the maximum drive operating conditions may occur without significant impact to the rated MTBF. However continual or sustained operation beyond the rated MTBF conditions will degrade the drive MTBF and reduce product reliability.

|                               |   |
|-------------------------------|---|
| Nonrecoverable read errors    | 1 sector per $10^{15}$ bits read, max   |
| Annualized Failure Rate (AFR) | 0.44% (nominal power, $40^{\circ}\text{C}$ case temperature)  |
| Load unload cycles            | 300,000 ( $25^{\circ}\text{C}$ , 50% rel. humidity) (600,000 design life testing)   |
| Maximum Rated Workload        | $<550\text{TB}/\text{year}$<br><br>Workloads exceeding the annualized rate may degrade the drive MTBF and impact product reliability. The Average Annualized Workload Rate is in units of TB per year, or TB per 8760 power on hours. Workload Rate = TB transferred * (8760 / recorded power on hours).  |
| Warranty                      | To determine the warranty for a specific drive, use a web browser to access the following web page: <a href="http://www.seagate.com/support/warranty-and-replacements/">http://www.seagate.com/support/warranty-and-replacements/</a> .<br><br>From this page, click on the "Is my Drive under Warranty" link. The following are required to be provided: the drive serial number, model number (or part number) and country of purchase. The system will display the warranty information for the drive. |
| Preventive maintenance        | None required.  |

## 2.11 Agency and Safety Certifications

Each Hard Drive and Solid State Drive ("drives") has a product label that includes certifications that are applicable to that specific drive. The following information provides an overview of requirements that may be applicable to the drive.

### 2.11.1 Safety certification

These products are certified to meet the requirements of UL/cUL 60950-1, EN 60950-1, and may also include, IEC 62368, UL 62368 and EN 62368.

### 2.11.2 European Union (EU) CE Marking Requirements

Drives that display the CE mark comply with the European Union (EU) requirements specified in the Electromagnetic Compatibility Directive (2014/30/EU) put into force on 20 April 2016. Testing is performed to the levels specified by the product standards for Information Technology Equipment (ITE). Emission levels are defined by EN 55032:2012, Class B and the immunity levels are defined by EN 55024:2010.

The drives also meet the requirements of The Low Voltage Directive (LVD) 2014/35/EU.

Seagate drives are tested in representative end-user systems. Although CE-marked Seagate drives comply with all relevant regulatory requirements and standards for the drives, Seagate cannot guarantee that all system-level products into which the drives are installed comply with all regulatory requirements and standards applicable to the system-level products. The drive is designed for operation inside a properly designed system (e.g., enclosure designed for the drive), with properly shielded I/O cable (if necessary) and terminators on all unused I/O ports. Computer manufacturers and system integrators should confirm EMC compliance and provide CE marking for the system-level products.

For compliance with the RoHS "Recast" Directive 2011/65/EU (RoHS 2), [See Section 2.12.1.1 on page 24](#).

### 2.11.3 Australian RCM Compliance Mark

If these models have the RCM marking, they comply with the Australia/New Zealand Standard AS/NZ CISPR32 and meet the Electromagnetic Compatibility (EMC) Framework requirements of the Australian Communication and Media Authority (ACMA).

### 2.11.4 Canada ICES-003

If this model has the ICES-003:2016 marking it complies with requirements of ICES tested per ANSI C63.4-2014.

### 2.11.5 South Korean KC Certification Mark

The South Korean KC Certification Mark means the drives comply with paragraph 1 of Article 11 of the Electromagnetic Compatibility control Regulation and meet the Electromagnetic Compatibility (EMC) Framework requirements of the Radio Research Agency (RRA) Communications Commission, Republic of Korea. These drives have been tested and comply with the Electromagnetic Interference/ Electromagnetic Susceptibility (EMI/EMS) for Class B products. Drives are tested in a representative, end-user system by a Korean-recognized lab.

| 기종별                    | 사용자안내문   |
|------------------------|--|
| B급 기기<br>(가정용 방송통신기자재) | 이 기기는 가정용(B급) 전자파적합기기로서 주로 가정에서 사용하는 것을 목적으로 하며, 모든 지역에서 사용할 수 있습니다. |

### 2.11.6 Morocco Commodity Mark

To satisfy our OEM customers, Seagate has added the Moroccan Commodity Mark to the drives provided to the OEM for the sale of Customer Kits produced by our OEM customers that are intended to be incorporated into the OEM's finished system-level product by an end user. The Customer Kits are considered 'devices' under Morocco's Order of the Minister of Industry, Trade, Investment and Digital Economy No. 2574-14 of 29 Ramadan 1436 (16 July 2015) on electromagnetic compatibility of equipment.

Seagate drives are tested for compliance and complies with the European Union (EU) Electromagnetic Compatibility (EMC) Directive 2014/30/EU and the Low Voltage Directive (LVD) 2014/35/EU. Accordingly, the drives also meets the requirements of Morocco's Order of the Minister of Industry, Trade, Investment and Digital Economy No. 2574-14 of 29 Ramadan 1436 (16 July 2015) on electromagnetic compatibility of equipment.

### 2.11.7 Taiwanese BSMI

Drives with the Taiwanese certification mark comply with Chinese National Standard, CNS13438.

For compliance with the Taiwan Bureau of Standards, Metrology and Inspection's (BSMI) requirements, [See Section 2.12.3 on page 25](#)

### 2.11.8 FCC verification

These drives are intended to be contained solely within a personal computer or similar enclosure (not attached as an external device). As such, each drive is considered to be a subassembly even when it is individually marketed to the customer. As a subassembly, no Federal Communications Commission verification or certification of the device is required.

Seagate has tested this device in enclosures as described above to ensure that the total assembly (enclosure, disk drive, motherboard, power supply, etc.) does comply with the limits for a Class B computing device, pursuant to Subpart J, Part 15 of the FCC rules. Operation with noncertified assemblies is likely to result in interference to radio and television reception.

**Radio and television interference.** This equipment generates and uses radio frequency energy and if not installed and used in strict accordance with the manufacturer's instructions, may cause interference to radio and television reception.

This equipment is designed to provide reasonable protection against such interference in a residential installation. However, there is no guarantee that interference will not occur in a particular installation. If this equipment does cause interference to radio or television, which can be determined by turning the equipment on and off, users are encouraged to try one or more of the following corrective measures:

- Reorient the receiving antenna.
- Move the device to one side or the other of the radio or TV.
- Move the device farther away from the radio or TV.
- Plug the computer into a different outlet so that the receiver and computer are on different branch outlets.

If necessary, users should consult a dealer or an experienced radio/television technician for additional suggestions. Users may find helpful the following booklet prepared by the Federal Communications Commission: *How to Identify and Resolve Radio-Television Interference Problems*. This booklet is available from the Superintendent of Documents, U.S. Government Printing Office, Washington, DC 20402. Refer to publication number 004-000-00345-4.



## 2.12 Environmental protection

Seagate designs its products to meet environmental protection requirements worldwide, including regulations restricting certain chemical substances.

### 2.12.1 European Union Restriction of Hazardous Substance Law

#### 2.12.1.1 Restriction of Hazardous Substances in Electrical and Electronic Equipment

Seagate drives are designed to be compliant with the European Union RoHS "Recast" Directive 2011/65/EU (RoHS 2) as amended by Directive (EU) 2015/863. The RoHS2 restricts the use of certain hazardous substances such as Lead, Cadmium, Mercury, Hexavalent Chromium, Polybrominated Biphenyls (PBB) and Polybrominated Diphenyl Ether (PBDE), BisBis(2-Ethylhexyl) phthalate (DEHP), Benzyl butyl phthalate (BBP), Dibutyl phthalate (DBP), and Diisobutyl phthalate (DIBP) in electrical and electronic equipment (EEE).

#### 2.12.1.2 Substances of Very High Concern (SVHC)

The European Union REACH (Registration, Evaluation, Authorization and Restriction of Chemicals) Regulation (EC) 1907/2006 regulates chemicals shipped into and used in Europe. A number of parts and materials in Seagate products are procured from external suppliers. We rely on the representations of our suppliers regarding the presence of REACH substances in these articles and materials. Our supplier contracts require compliance with our chemical substance restrictions, and our suppliers document their compliance with our requirements by providing full-disclosure material content declarations that disclose inclusion of any REACH-regulated substance in such articles or materials. Product-specific REACH declarations are available upon request through your Seagate Sales Representative.

### 2.12.2 China Requirements —China RoHS 2



China RoHS 2 refers to the Ministry of Industry and Information Technology Order No. 32, effective July 1, 2016, titled Management Methods for the Restriction of the Use of Hazardous Substances in Electrical and Electronic Products. To comply with China RoHS 2, Seagate determines this product's Environmental Protection Use Period (EPUP) to be 20 years in accordance with the *Marking for the Restricted Use of Hazardous Substances in Electronic and Electrical Products*, SJT 11364-2014.

**Table 6 China - Hazardous Substances**

| 部件名称<br>Part Name | 有害物质<br>Hazardous Substances |           |           |                            |               |                 |
|-------------------|------------------------------|-----------|-----------|----------------------------|---------------|-----------------|
|                   | 铅<br>(Pb)                    | 汞<br>(Hg) | 镉<br>(Cd) | 六价铬<br>(Cr <sup>+6</sup> ) | 多溴联苯<br>(PBB) | 多溴二苯醚<br>(PBDE) |
| 硬盘驱动器<br>HDD      | X                            | O         | O         | O                          | O             | O               |
| 印刷电路板组装<br>PCBA   | X                            | O         | O         | O                          | O             | O               |

本表格依据 SJ/T 11364 的规定编制。

This table is prepared in accordance with the provisions of SJ/T 11364-2014

O: 表示该有害物质在该部件所有均质材料中的含量均在 GB/T 26572 规定的限量要求以下。

O: Indicates that the hazardous substance contained in all of the homogeneous materials for this part is below the limit requirement of GB/T26572.

X: 表示该有害物质至少在该部件的某一均质材料中的含量超出 GB/T 26572 规定的限量要求。

X: Indicates that the hazardous substance contained in at least one of the homogeneous materials used for this part is above the limit requirement of GB/T26572.

### 2.12.3 Taiwan Requirements — Taiwan RoHS

Taiwan RoHS refers to the Taiwan Bureau of Standards, Metrology and Inspection's (BSMI) requirements in standard CNS 15663, Guidance to reduction of the restricted chemical substances in electrical and electronic equipment. Seagate products must comply with the "Marking of presence" requirements in Section 5 of CNS 15663, effective January 1, 2018. This product is Taiwan RoHS compliant.

The following table meets the Section 5 "Marking of presence" requirements.

**Table 7 Taiwan - Restricted Substances**

| 設備名稱：硬盤設備，型號：僅適用於內部使用<br>Equipment Name: Hard Disk Device, Type Designation: Internal Use Only  |  |           |           |                            |               |                 |
|---|--|-----------|-----------|----------------------------|---------------|-----------------|
| 單元<br>Unit  | 限用物質及其化學符號<br>Restricted Substance and its chemical symbol |           |           |                            |               |                 |
|   | 鉛<br>(Pb)  | 汞<br>(Hg) | 鎘<br>(Cd) | 六价鉻<br>(Cr <sup>+6</sup> ) | 多溴聯苯<br>(PBB) | 多溴二苯醚<br>(PBDE) |
| 印刷电路板组装<br>PCBA   | —  | 0         | 0         | 0                          | 0             | 0               |
| 机壳<br>Chassis or Cabinet  | —  | 0         | 0         | 0                          | 0             | 0               |
| 備考 1. "0" 係指該項限用物質之百分比含量未超出百分比含量基準值。<br>Note 1. "0" indicates that the percentage content of the restricted substance does not exceed the percentage of reference value of presence.<br>備考 2. "—" 係指該項限用物質為排除項目。<br>Note 2. "—" indicates that the restricted substance corresponds to the exemption. |  |           |           |                            |               |                 |

### 2.13 Corrosive environment

Seagate electronic drive components pass accelerated corrosion testing equivalent to 10 years exposure to light industrial environments containing sulfurous gases, chlorine and nitric oxide, classes G and H per ASTM B845. However, this accelerated testing cannot duplicate every potential application environment. Users should use caution exposing any electronic components to uncontrolled chemical pollutants and corrosive chemicals as electronic drive component reliability can be affected by the installation environment. The silver, copper, nickel and gold films used in Seagate products are especially sensitive to the presence of sulfide, chloride, and nitrate contaminants. Sulfur is found to be the most damaging. In addition, electronic components should never be exposed to condensing water on the surface of the printed circuit board assembly (PCBA) or exposed to an ambient relative humidity greater than 95%. Materials used in cabinet fabrication, such as vulcanized rubber, that can outgas corrosive compounds should be minimized or eliminated. The useful life of any electronic equipment may be extended by replacing materials near circuitry with sulfide-free alternatives.

Seagate recommends that data centers be kept clean by monitoring and controlling the dust and gaseous contamination. Gaseous contamination should be within ANSI/ISA S71.04-2013 G2 classification levels (as measured on copper and silver coupons), and dust contamination to ISO 14644-1 Class 8 standards, and MTBF rated conditions as defined in the Annualized Failure Rate (AFR) and Mean Time Between Failure (MTBF) section.

## **2.14 Product warranty**

Beginning on the date of shipment to the customer and continuing for the period specified in the purchase contract, Seagate warrants that each product (including components and subassemblies) that fails to function properly under normal use due to defect in materials or workmanship or due to nonconformance to the applicable specifications will be repaired or replaced, at Seagate's option and at no charge to the customer, if returned by customer at customer's expense to Seagate's designated facility in accordance with Seagate's warranty procedure. Seagate will pay for transporting the repair or replacement item to the customer. For more detailed warranty information, refer to the standard terms and conditions of purchase for Seagate products on the purchase documentation.

The remaining warranty for a particular drive can be determined by calling Seagate Customer Service at 1-800-468-3472. Users can also determine remaining warranty using the Seagate web site ([www.seagate.com](http://www.seagate.com)). The drive serial number is required to determine remaining warranty information.

### **Shipping**

When transporting or shipping a drive, use only a Seagate-approved container. Keep the original box. Seagate approved containers are easily identified by the Seagate Approved Package label. Shipping a drive in a non-approved container voids the drive warranty.

Seagate repair centers may refuse receipt of components improperly packaged or obviously damaged in transit. Contact the authorized Seagate distributor to purchase additional boxes. Seagate recommends shipping by an air-ride carrier experienced in handling computer equipment.

### **Storage**

Maximum storage periods are 180 days within original unopened Seagate shipping package or 60 days unpackaged within the defined non-operating limits (refer to environmental section in this manual). Storage can be extended to 1 year packaged or unpackaged under optimal environmental conditions (25°C, <40% relative humidity non-condensing, and non-corrosive environment). During any storage period the drive non-operational temperature, humidity, wet bulb, atmospheric conditions, shock, vibration, magnetic and electrical field specifications should be followed.

### **Product repair and return information**

Seagate customer service centers are the only facilities authorized to service Seagate drives. Seagate does not sanction any third-party repair facilities. Any unauthorized repair or tampering with the factory seal voids the warranty.

## 3.0 Configuring and mounting the drive

This section contains the specifications and instructions for configuring and mounting the drive.

### 3.1 Handling and static-discharge precautions

After unpacking, and before installation, the drive may be exposed to potential handling and electrostatic discharge (ESD) hazards. Observe the following standard handling and static-discharge precautions:

|                |   |
|----------------|---|
| <b>Caution</b> | <ul style="list-style-type: none"><li>• Before handling the drive, put on a grounded wrist strap. Wear a grounded wrist strap throughout the entire installation procedure.</li><li>• Handle the drive by its edges or frame <i>only</i>.</li><li>• The drive is extremely fragile—handle it with care. Do not press down on the drive top cover.</li><li>• Always rest the drive on a padded, antistatic surface until mounting it in the computer.</li><li>• Do not touch the connector pins or the printed circuit board.</li><li>• Do not remove the factory-installed labels from the drive or cover them with additional labels. Removal voids the warranty. Some factory-installed labels contain information needed to service the drive. Other labels are used to seal out dirt and contamination.</li></ul> |
|----------------|---|

### 3.2 Configuring the drive

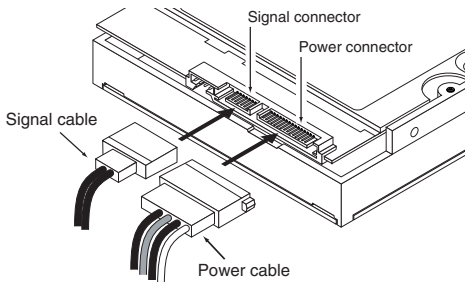
Each drive on the Serial ATA interface connects point-to-point with the Serial ATA host adapter. There is no master/slave relationship because each drive is considered a master in a point-to-point relationship. If two drives are attached on one Serial ATA host adapter, the host operating system views the two devices as if they were both “masters” on two separate ports. Both drives behave as if they are Device 0 (master) devices.

### 3.3 Serial ATA cables and connectors

The Serial ATA interface cable consists of four conductors in two differential pairs, plus three ground connections. The cable size may be 30 to 26 AWG with a maximum length of one meter (39.37 in). See Table 8 for connector pin definitions. Either end of the SATA signal cable can be attached to the drive or host.

For direct backplane connection, the drive connectors are inserted directly into the host receptacle. The drive and the host receptacle incorporate features that enable the direct connection to be hot pluggable and blind mateable.

For installations which require cables, users can connect the drive as illustrated in Figure 4.



**Figure 4. Attaching SATA cabling**

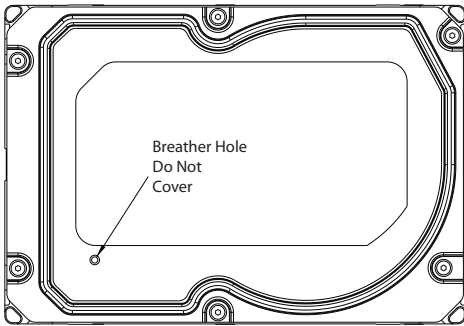
|             |   |
|-------------|---|
| <b>Note</b> | Image is for reference only, may not represent actual drive |
|-------------|---|

Each cable is keyed to ensure correct orientation. Enterprise Capacity 2.5 HDD v3 SATA drives support latching SATA connectors.

### 3.4 Drive mounting

Users can mount the drive in any orientation using four screws in the side-mounting holes or four screws in the bottom-mounting holes. See Figure 6 for drive mounting dimensions. Follow these important mounting precautions when mounting the drive:

- Allow a minimum clearance of 0.030 in (0.76mm) around the entire perimeter of the drive for cooling.
- Use only M3 x 0.5 metric mounting screws.
- Four (4) threads (0.080 in) minimum screw engagement recommended.  
Also ensure maximum screw length does not bottom out in mounting holes.
- Do not overtighten the mounting screws (maximum torque: 4.5 in-lb,  $\pm$  0.45 in-lb).
- Do not cover breather hole on top cover.



**Figure 5. Breather hole location - top cover**

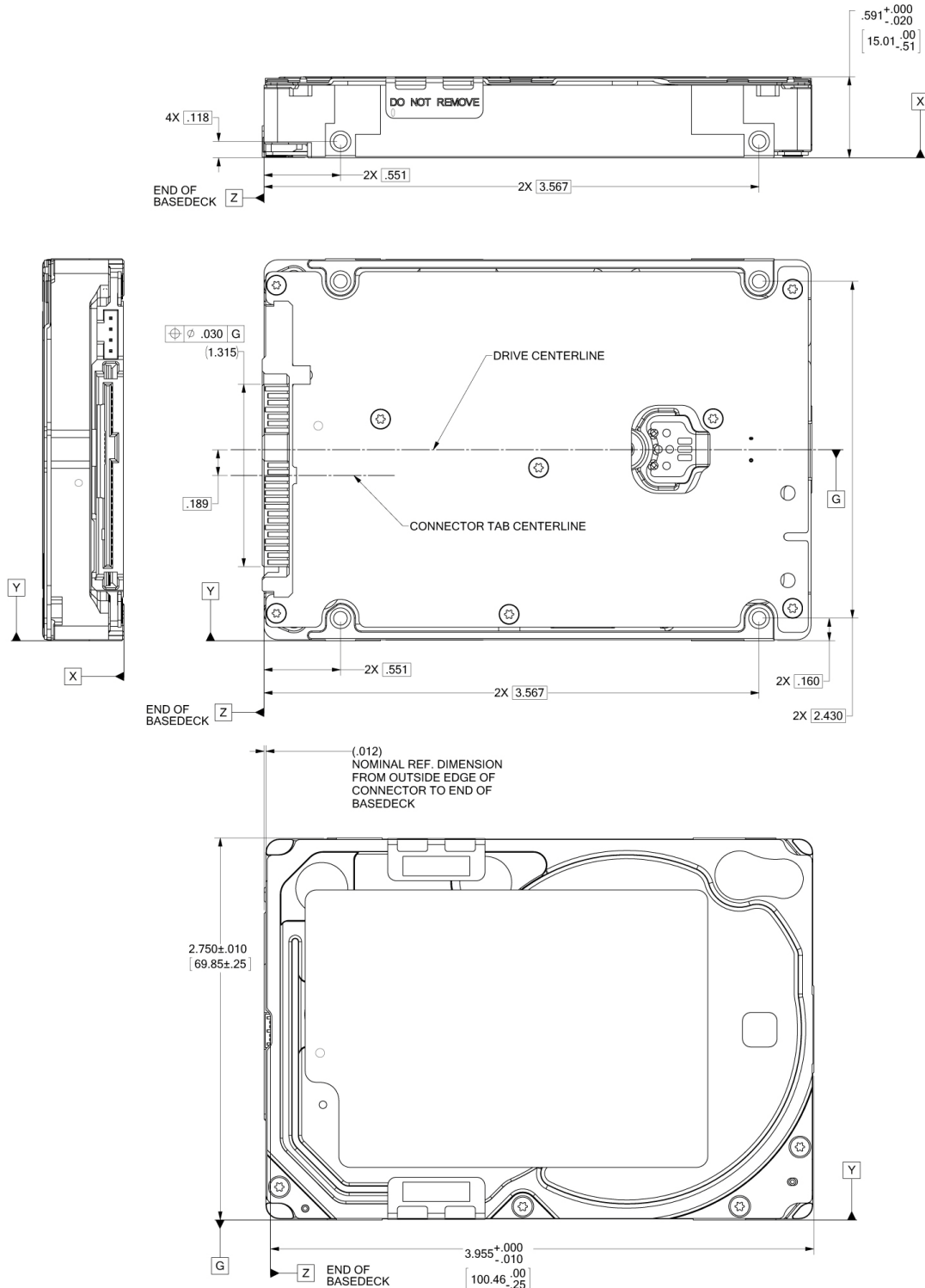
|             |   |
|-------------|---|
| <b>Note</b> | Image is for reference only, may not represent actual drive |
|-------------|---|

### 3.4.1 Mechanical specifications

Refer to Figure 6 for detailed mounting configuration dimensions. See Section 3.4, "Drive mounting."

|         |            |       |          |
|---------|------------|-------|----------|
| Weight: | 2TB models | 198 g | 0.437 lb |
|         | 1TB models | 190 g | 0.419 lb |

**Note** These dimensions conform to the Small Form Factor Standard documented in SFF-8201 and SFF-8223, found at [www.sffcommittee.org](http://www.sffcommittee.org).



**Figure 6. Mounting configuration dimensions**

## 4.0 About self-encrypting drives

Self-encrypting drives (SEDs) offer encryption and security services for the protection of stored data, commonly known as "protection of data at rest." These drives are compliant with the Trusted Computing Group (TCG) Enterprise Storage Specifications based on the standards defined by the Trusted Computing Group.

The Trusted Computing Group (TCG) is an organization sponsored and operated by companies in the computer, storage and digital communications industry. Seagate's SED models comply with the standards published by the TCG.

To use the security features in the drive, the host must be capable of constructing and issuing the following two ATA commands:

- Trusted Send
- Trusted Receive

These commands are used to convey the TCG protocol to and from the drive in their command payloads.

### 4.1 Data encryption

Encrypting drives use one inline encryption engine for each port, employing AES 256-bit data encryption keys with AES-XTS mode to encrypt all data prior to being written on the media and to decrypt all data as it is read from the media. The encryption engines are always in operation and cannot be disabled.

The 32-byte Data Encryption Key (DEK) is a random number which is generated by the drive, never leaves the drive, and is inaccessible to the host system. The DEK is itself encrypted when it is stored on the media and when it is in volatile temporary storage (DRAM) external to the encryption engine. A unique data encryption key is used for each of the drive's possible 16 data bands (see Section 4.5).

### 4.2 Controlled access

The drive has two security providers (SPs) called the "Admin SP" and the "Locking SP." These act as gatekeepers to the drive security services. Security-related commands will not be accepted unless they also supply the correct credentials to prove the requester is authorized to perform the command.

#### 4.2.1 Admin SP

The Admin SP allows the drive's owner to enable or disable firmware download operations (see Section 4.4). Access to the Admin SP is available using the SID (Secure ID) password or the MSID (Manufacturers Secure ID) password.

#### 4.2.2 Locking SP

The Locking SP controls read/write access to the media and the cryptographic erase feature. Access to the Locking SP is available using the BandMasterX or EraseMaster passwords. Since the drive owner can define up to 16 data bands on the drive, each data band has its own password called BandMasterX where X is the number of the data band (0 through 15).

#### 4.2.3 Default password

When the drive is shipped from the factory, all passwords are set to the value of MSID. This 32-byte random value can only be read by the host electronically over the interface. After receipt of the drive, it is the responsibility of the owner to use the default MSID password as the authority to change all other passwords to unique owner-specified values.

### 4.3 Random number generator (RNG)

The drive has a 32-byte hardware RNG that it uses to derive encryption keys or, if requested to do so, to provide random numbers to the host for system use, including using these numbers as Authentication Keys (passwords) for the drive's Admin and Locking SPs.

## 4.4 Drive locking

In addition to changing the passwords, as described in Section 4.2.3, the owner should also set the data access controls for the individual bands.

The variable "LockOnReset" should be set to "PowerCycle" to ensure that the data bands will be locked if power is lost. In addition "ReadLockEnabled" and "WriteLockEnabled" must be set to true in the locking table in order for the bands "LockOnReset" setting of "PowerCycle" to actually lock access to the band when a "PowerCycle" event occurs. This scenario occurs if the drive is removed from its cabinet. The drive will not honor any data read or write requests until the bands have been unlocked. This prevents the user data from being accessed without the appropriate credentials when the drive has been removed from its cabinet and installed in another system.

When the drive is shipped from the factory, the firmware download port is unlocked.

## 4.5 Data bands

When shipped from the factory, the drive is configured with a single data band called Band 0 (also known as the Global Data Band) which comprises LBA 0 through LBA max. The host may allocate Band1 by specifying a start LBA and an LBA range. The real estate for this band is taken from the Global Band. An additional 14 Data Bands may be defined in a similar way (Band2 through Band15) but before these bands can be allocated LBA space, they must first be individually enabled using the EraseMaster password.

Data bands cannot overlap but they can be sequential with one band ending at LBA (x) and the next beginning at LBA (x+1).

Each data band has its own drive-generated encryption key and its own user-supplied password. The host may change the Encryption Key (see Section 4.6) or the password when required. The bands should be aligned to 4K LBA boundaries.

## 4.6 Cryptographic erase

A significant feature of SEDs is the ability to perform a cryptographic erase. This involves the host telling the drive to change the data encryption key for a particular band. Once changed, the data is no longer recoverable since it was written with one key and will be read using a different key. Since the drive overwrites the old key with the new one, and keeps no history of key changes, the user data can never be recovered. This is tantamount to an instantaneous data erase and is very useful if the drive is to be scrapped or redispositioned.

## 4.7 Authenticated firmware download

In addition to providing a locking mechanism to prevent unwanted firmware download attempts, the drive also only accepts download files which have been cryptographically signed by the appropriate Seagate Design Center.

Three conditions must be met before the drive will allow the download operation:

1. The download must be an SED file. A standard (base) drive (non-SED) file will be rejected.
2. The download file must be signed and authenticated.
3. As with a non-SED drive, the download file must pass the acceptance criteria for the drive. For example it must be applicable to the correct drive model, and have compatible revision and customer status.



## 4.8 Power requirements

The standard drive models and the SED drive models have identical hardware, however the security and encryption portion of the drive controller ASIC is enabled and functional in the SED models. This represents a small additional drain on the 5V supply of about 30mA and a commensurate increase of about 150mW in power consumption. There is no additional drain on the 12V supply. See the tables in Section 2.5 for power requirements on the standard (non-SED) drive models.

## 4.9 Supported commands

The SED models support the following two commands in addition to the commands supported by the standard (non-SED) models as listed in Table 9:

- Trusted Send (5Eh) or Trusted Send DMA (5Fh)
- Trusted Receive (5Ch) or Trusted Receive DMA (5D)

## 4.10 RevertSP

SED models will support the RevertSP feature which erases all data in all bands on the device and returns the contents of all SPs (Security Providers) on the device to their original factory state. In order to execute the RevertSP method the unique PSID (Physical Secure ID) printed on the drive label must be provided. PSID is not electronically accessible and can only be manually read from the drive label or scanned in via the 2D barcode.

## 4.11 ATA Security Erase Unit Command on SED SATA drives

The ATA SECURITY ERASE UNIT command shall support both the Normal and Enhanced erase modes with the following modifications/additions:

- Normal Erase: Normal erase shall be accomplished by changing the media encryption key for the drive followed by an overwrite operation that repeatedly writes a single sector containing random data to the entire drive. The write operation shall bypass the media encryption. On reading back the overwritten sectors, the host will receive a decrypted version, using the new encryption key, of the random data sector (the returned data will not match what was written).
- Enhanced Erase: Enhanced erase shall be accomplished by changing the media encryption key for the drive.

## 4.12 Sanitize Device - CRYPTO SCRAMBLE EXT

This command cryptographically erases all user data on the drive by destroying the current data encryption key and replacing it with a new data encryption key randomly generated by the drive. Sanitize Device is a command field B4h and Feature field 0011h (CRYPTO SCRAMBLE EXT).

The drive shall support the Sanitize Feature Set as defined in ANSI/INCITS ACS-2 with the exceptions and/or modifications described in this section.

The drive shall not support the OVERWRITE EXT and BLOCK ERASE EXT sub-commands.

Support of the SANITIZE FREEZE LOCK EXT command shall be determined on a customer-specific basis. OEM drives shall support the command.

## 5.0 Serial ATA (SATA) interface

These drives use the industry-standard Serial ATA interface that supports FIS data transfers. It supports ATA programmed input/output (PIO) modes 0–4; multiword DMA modes 0–2, and Ultra DMA modes 0–6.

For detailed information about the Serial ATA interface, refer to the “Serial ATA: High Speed Serialized AT Attachment” specification.

### 5.1 Hot-Plug compatibility

Enterprise Capacity 2.5 HDD v3 SATA drives incorporate connectors which enable users to hot plug these drives in accordance with the Serial ATA Revision 3.1 specification. This specification can be downloaded from [www.serialata.org](http://www.serialata.org).

|                |   |
|----------------|---|
| <b>Caution</b> | The drive motor must come to a complete stop ( <b>Ready to spindle stop time indicated in Section 2.4</b> ) prior to changing the plane of operation. This time is required to insure data integrity. |
|----------------|---|

### 5.2 Serial ATA device plug connector pin definitions

Table 8 summarizes the signals on the Serial ATA interface and power connectors.

**Table 8 Serial ATA connector pin definitions**

| Segment   | Pin    | Function             | Definition   |
|---|--------|----------------------|--|
| <b>Signal</b>   | S1     | Ground               | 2nd mate   |
|   | S2     | A+                   | Signal Pair A: Receives data at the drive Phy from the host  |
|   | S3     | A-                   |  |
|   | S4     | Ground               | 2nd mate   |
|   | S5     | B-                   | Signal Pair B: Transmits data from the drive Phy to the host |
|   | S6     | B+                   |  |
|   | S7     | Ground               | 2nd mate   |
| <b>Key and spacing separate signal and power segments</b> |        |                      |  |
| <b>Power</b>  | P1 *   | V <sub>33</sub>      | 3.3V power   |
|   | P2 *   | V <sub>33</sub>      | 3.3V power   |
|   | P3 * † | V <sub>33</sub>      | 3.3V power, pre-charge, 2nd mate                             |
|   | P4     | Ground               | 1st mate   |
|   | P5     | Ground               | 2nd mate   |
|   | P6     | Ground               | 2nd mate   |
|   | P7     | V <sub>5</sub>       | 5V power, pre-charge, 2nd mate                               |
|   | P8     | V <sub>5</sub>       | 5V power   |
|   | P9     | V <sub>5</sub>       | 5V power   |
|   | P10    | Ground               | 2nd mate   |
|   | P11    | Ground or LED signal | If grounded, drive does not use deferred spin                |
|   | P12    | Ground               | 1st mate.  |
|   | P13    | V <sub>12</sub>      | 12V power, pre-charge, 2nd mate                              |
|   | P14    | V <sub>12</sub>      | 12V power  |
|   | P15    | V <sub>12</sub>      | 12V power  |

\* Pins P1, P2 and P3 are tied together.

† Host commanded disable via pin P3 is NOT supported by Enterprise Capacity 2.5 HDD

**Table 6 Notes:**

1. All pins are in a single row, with a 1.27mm (0.050”) pitch.
2. The comments on the mating sequence apply to the case of backplane blindmate connector only. In this case, the mating sequences are:
  - the ground pins P4 and P12.
  - the pre-charge power pins and the other ground pins.
  - the signal pins and the rest of the power pins.
3. There are three power pins for each voltage. One pin from each voltage is used for pre-charge when installed in a blind-mate backplane configuration.

**5.3 Supported ATA commands**

The following table lists Serial ATA standard commands that the drive supports. For a detailed description of the ATA commands, refer to the Serial ATA: High Speed Serialized AT Attachment specification. See “S.M.A.R.T. commands” on page 40 for details and subcommands used in the S.M.A.R.T. implementation.

**Table 9 Supported ATA commands**

| Command name                          | Command code (in hex)               |
|---------------------------------------|-------------------------------------|
| Accessible Max Address Configuration  |                                     |
| Get Native Max Address Ext            | 78 <sub>H</sub> / 0000 <sub>H</sub> |
| Set Accessible Max Address Ext        | 78 <sub>H</sub> / 0001 <sub>H</sub> |
| Freeze Accessible Max Address Ext     | 78 <sub>H</sub> / 0002 <sub>H</sub> |
| Check Power Mode                      | E5 <sub>H</sub>                     |
| Download Microcode                    | 92 <sub>H</sub>                     |
| Execute Device Diagnostics            | 90 <sub>H</sub>                     |
| Flush Cache                           | E7 <sub>H</sub>                     |
| Flush Cache Extended                  | EA <sub>H</sub>                     |
| Identify Device                       | EC <sub>H</sub>                     |
| Idle                                  | E3 <sub>H</sub>                     |
| Idle Immediate                        | E1 <sub>H</sub>                     |
| NoP                                   | 00 <sub>H</sub>                     |
| Read Buffer                           | E4 <sub>H</sub>                     |
| Read DMA                              | C8 <sub>H</sub>                     |
| Read DMA Extended                     | 25 <sub>H</sub>                     |
| Read FPDMA Queued                     | 60 <sub>H</sub>                     |
| Read Log DMA Ext                      | 47 <sub>H</sub>                     |
| Read Log Ext                          | 2F <sub>H</sub>                     |
| Read Multiple                         | C4 <sub>H</sub>                     |
| Read Multiple Extended                | 29 <sub>H</sub>                     |
| Read Sectors                          | 20 <sub>H</sub>                     |
| Read Sectors Extended                 | 24 <sub>H</sub>                     |
| Read Verify Sectors                   | 40 <sub>H</sub>                     |
| Read Verify Sectors Extended          | 42 <sub>H</sub>                     |
| Request Sense Data Ext                | 0B <sub>H</sub>                     |
| Sanitize Device - Status Ext          | B4 <sub>H</sub> / 0000 <sub>H</sub> |
| Sanitize Device - Crypto Scramble Ext | B4 <sub>H</sub> / 0011 <sub>H</sub> |
| Sanitize Device - Overwrite Ext       | B4 <sub>H</sub> / 0014 <sub>H</sub> |

| <b>Command name</b>                   | <b>Command code (in hex)</b>        |
|---------------------------------------|-------------------------------------|
| Sanitize Device - Freeze Lock Ext     | B4 <sub>H</sub> / 0020 <sub>H</sub> |
| Sanitize Device - AntiFreeze Lock Ext | B4 <sub>H</sub> / 0040 <sub>H</sub> |
| Security Disable Password             | F6 <sub>H</sub>                     |
| Security Erase Prepare                | F3 <sub>H</sub>                     |
| Security Erase Unit                   | F4 <sub>H</sub>                     |
| Security Freeze                       | F5 <sub>H</sub>                     |
| Security Set Password                 | F1 <sub>H</sub>                     |
| Security Unlock                       | F2 <sub>H</sub>                     |
| Seek                                  | 70 <sub>H</sub>                     |
| Set Date & Time Ext                   | 77 <sub>H</sub>                     |
| Set Features                          | EF <sub>H</sub>                     |
| Set Multiple Mode                     | C6 <sub>H</sub>                     |
| Sleep                                 | E6 <sub>H</sub>                     |
| S.M.A.R.T. Disable Operations         | B0 <sub>H</sub> / D9 <sub>H</sub>   |
| S.M.A.R.T. Enable/Disable Autosave    | B0 <sub>H</sub> / D2 <sub>H</sub>   |
| S.M.A.R.T. Enable Operations          | B0 <sub>H</sub> / D8 <sub>H</sub>   |
| S.M.A.R.T. Execute Offline            | B0 <sub>H</sub> / D4 <sub>H</sub>   |
| S.M.A.R.T. Read Attribute Thresholds  | B0 <sub>H</sub> / D1 <sub>H</sub>   |
| S.M.A.R.T. Read Data                  | B0 <sub>H</sub> / D0 <sub>H</sub>   |
| S.M.A.R.T. Read Log Sector            | B0 <sub>H</sub> / D5 <sub>H</sub>   |
| S.M.A.R.T. Return Status              | B0 <sub>H</sub> / DA <sub>H</sub>   |
| S.M.A.R.T. Save Attribute Values      | B0 <sub>H</sub> / D3 <sub>H</sub>   |
| S.M.A.R.T. Write Log Sector           | B0 <sub>H</sub> / D6 <sub>H</sub>   |
| Standby                               | E2 <sub>H</sub>                     |
| Standby Immediate                     | E0 <sub>H</sub>                     |
| Trusted Send                          | 5E <sub>H</sub> (SED drives only)   |
| Trusted Send DMA                      | 5F <sub>H</sub> (SED drives only)   |
| Trusted Receive                       | 5C <sub>H</sub> (SED drives only)   |
| Trusted Receive DMA                   | 5D <sub>H</sub> (SED drives only)   |
| Write Buffer                          | E8 <sub>H</sub>                     |
| Write DMA                             | CA <sub>H</sub>                     |
| Write DMA Extended                    | 35 <sub>H</sub>                     |
| Write DMA FUA Extended                | 3D <sub>H</sub>                     |
| Write FPDMA Queued                    | 61 <sub>H</sub>                     |
| Write Log DMA Ext                     | 57 <sub>H</sub>                     |
| Write Log Extended                    | 3F <sub>H</sub>                     |
| Write Multiple                        | C5 <sub>H</sub>                     |
| Write Multiple Extended               | 39 <sub>H</sub>                     |
| Write Multiple FUA Extended           | CE <sub>H</sub>                     |
| Write Sectors                         | 30 <sub>H</sub>                     |
| Write Sectors Extended                | 34 <sub>H</sub>                     |
| Write Uncorrectable                   | 45 <sub>H</sub>                     |

### 5.3.1 Identify Device command

The Identify Device command (command code EC<sub>H</sub>) transfers information about the drive to the host following power up. The data is organized as a single 512-byte block of data, whose contents are shown in Table 9 on page 34. All reserved bits or words should be set to zero. Parameters listed with an “x” are drive-specific or vary with the state of the drive. See Section 2.0 on page 8 for default parameter settings.

The following commands contain drive-specific features that may not be included in the Serial ATA specification.

**Table 10: Identify Device commands**

| Word  | Description  | Value  |
|-------|--|--|
| 0     | Configuration information:<br>• Bit 15: 0 = ATA; 1 = ATAPI<br>• Bit 7: removable media<br>• Bit 6: removable controller<br>• Bit 0: reserved   | 0C5A <sub>H</sub>  |
| 1     | Number of logical cylinders  | 3FFF <sub>H</sub>  |
| 2     | ATA-reserved   | 0000 <sub>H</sub>  |
| 3     | Number of logical heads  | 16   |
| 4     | Retired  | 0000 <sub>H</sub>  |
| 5     | Retired  | 0000 <sub>H</sub>  |
| 6     | Number of logical sectors per logical track: 63  | 003F <sub>H</sub>  |
| 7–9   | Retired  | 0000 <sub>H</sub>  |
| 10–19 | Serial number: (20 ASCII characters, 0000 <sub>H</sub> = none)   | ASCII  |
| 20    | Retired  | 0000 <sub>H</sub>  |
| 21    | Retired  | 0000 <sub>H</sub>  |
| 22    | Obsolete   | 0004 <sub>H</sub>  |
| 23–26 | Firmware revision (8 ASCII character string, padded with blanks to end of string)  | x.xx   |
| 27–46 | Drive model number: (40 ASCII characters, padded with blanks to end of string)   |  |
| 47    | (Bits 7–0) Maximum sectors per interrupt on Read multiple and Write multiple (16)  | 8010 <sub>H</sub> for 5xxE/5xxN<br>8002 <sub>H</sub> for 4KN |
| 48    | Trusted computing feature set options  | 4000 <sub>H</sub>  |
| 49    | Standard Standby timer, IORDY supported and may be disabled  | 2F00 <sub>H</sub>  |
| 50    | ATA-reserved   | 4000 <sub>H</sub>  |
| 51    | PIO data-transfer cycle timing mode  | 0200 <sub>H</sub>  |
| 52    | Retired  | 0200 <sub>H</sub>  |
| 53    | Words 54–58, 64–70 and 88 are valid  | 0007 <sub>H</sub>  |
| 54    | Number of current logical cylinders  | xxxx <sub>H</sub>  |
| 55    | Number of current logical heads  | xxxx <sub>H</sub>  |
| 56    | Number of current logical sectors per logical track  | xxxx <sub>H</sub>  |
| 57–58 | Current capacity in sectors  | xxxx <sub>H</sub>  |
| 59    | Number of sectors transferred during a Read Multiple or Write Multiple command   | xxxx <sub>H</sub>  |
| 60–61 | Total number of user-addressable LBA sectors available<br>(see Section 2.2 for related information)<br><br>*Note: The maximum value allowed in this field is: 0FFFFFFFh (268,435,455 sectors, 137GB). Drives with capacities over 137GB will have 0FFFFFFFh in this field and the actual number of user-addressable LBAs specified in words 100-103. This is required for drives that support the 48-bit addressing feature. | 0FFFFFFFh*   |
| 62    | Retired  | 0000 <sub>H</sub>  |

**Table 10: Identify Device commands**

| Word    | Description  | Value  |
|---------|--|--|
| 63      | Multiword DMA active and modes supported (see note following this table)   | xx07 <sub>H</sub>  |
| 64      | Advanced PIO modes supported (modes 3 and 4 supported)   | 0003 <sub>H</sub>  |
| 65      | Minimum multiword DMA transfer cycle time per word (120 ns)  | 0078 <sub>H</sub>  |
| 66      | Recommended multiword DMA transfer cycle time per word (120 ns)  | 0078 <sub>H</sub>  |
| 67      | Minimum PIO cycle time without IORDY flow control (240 ns)   | 0078 <sub>H</sub>  |
| 68      | Minimum PIO cycle time with IORDY flow control (120 ns)  | 0078 <sub>H</sub>  |
| 69      | Additional supported   | 0008 <sub>H</sub>  |
| 70–74   | ATA-reserved   | 0000 <sub>H</sub>  |
| 75      | Queue depth  | 001F <sub>H</sub>  |
| 76      | Serial ATA capabilities  | 8D0E <sub>H</sub>  |
| 77      | Reserved for future Serial ATA definition  | xxxx <sub>H</sub>  |
| 78      | Serial ATA features supported  | xxxx <sub>H</sub>  |
| 79      | Serial ATA features enabled  | xxxx <sub>H</sub>  |
| 80      | Major version number   | 07F0 <sub>H</sub>  |
| 81      | Minor version number   | 0000 <sub>H</sub>  |
| 82      | Command sets supported   | 306B <sub>H</sub>  |
| 83      | Command sets supported   | 7501 <sub>H</sub>  |
| 84      | Command sets support extension (see note following this table)   | 6163 <sub>H</sub>  |
| 85      | Command sets enabled   | 3069 <sub>H</sub>  |
| 86      | Command sets enabled   | B401 <sub>H</sub>  |
| 87      | Command sets enable extension  | 6163 <sub>H</sub>  |
| 88      | Ultra DMA support and current mode (see note following this table)   | 007F <sub>H</sub>  |
| 89      | Security erase time  | xxxx <sub>H</sub>  |
| 90      | Enhanced security erase time   | xxxx <sub>H</sub>  |
| 92      | Master password revision code  | FFFE <sub>H</sub>  |
| 93      | Hardware reset value   | xxxx <sub>H</sub>  |
| 95–99   | ATA-reserved   | 0000 <sub>H</sub>  |
| 100–103 | Total number of user-addressable LBA sectors available (see Section 2.2 for related information). These words are required for drives that support the 48-bit addressing feature. Maximum value: 0000FFFFFFFF <sub>H</sub> . | ST2000NX0253 = 3,907,029,168<br>ST2000NX0303 = 3,907,029,168<br>ST2000NX0403 = 3,907,029,168<br>ST1000NX0313 = 1,953,525,168<br>ST1000NX0353 = 1,953,525,168<br>ST1000NX0423 = 1,953,525,168<br><br>ST2000NX0243 = 488,378,646<br>ST2000NX0283 = 488,378,646<br>ST1000NX0303 = 244,190,646<br>ST1000NX0343 = 244,190,646 |
| 104–105 | ATA-reserved   | 0000 <sub>H</sub>  |
| 106     | Physical/Logical sector size   | 6003 <sub>H</sub>  |
| 107     | ATA-reserved   | 0000 <sub>H</sub>  |
| 108–111 | The mandatory value of the world wide name (WWN) for the drive.<br><b>NOTE:</b> This field is valid if word 84, bit 8 is set to 1 indicating 64-bit WWN support.   | Each drive will have a unique value.   |
| 112–118 | ATA-reserved   | 0000 <sub>H</sub>  |

**Table 10: Identify Device commands**

| Word    | Description  | Value             |
|---------|--|-------------------|
| 119     | Commands and feature sets supported  | 41DE <sub>H</sub> |
| 120     | Commands and feature sets supported or enabled   | 409C <sub>H</sub> |
| 121-127 | ATA-reserved   | 0000 <sub>H</sub> |
| 128     | Security status  | 0021 <sub>H</sub> |
| 129-159 | Seagate-reserved   | xxxx <sub>H</sub> |
| 160-205 | ATA-reserved   | 0000 <sub>H</sub> |
| 206     | SCT Command Transport command set.<br>If bit 0 is set to one, then the device supports SCT Command Transport.<br>Bits 7:2 indicate individual SCT feature support. | xxBD <sub>H</sub> |
| 207-254 | ATA-reserved   | 0000 <sub>H</sub> |
| 255     | Integrity word   | xxA5 <sub>H</sub> |

|             |   |
|-------------|---|
| <b>Note</b> | See the bit descriptions below for words 63, 84, and 88 of the Identify Drive data. |
|-------------|---|

| Description (if bit is set to 1) |       |  |
|----------------------------------|-------|--|
|                                  | Bit   | Word 63  |
|                                  | 0     | Multiword DMA mode 0 is supported.                                   |
|                                  | 1     | Multiword DMA mode 1 is supported.                                   |
|                                  | 2     | Multiword DMA mode 2 is supported.                                   |
|                                  | 8     | Multiword DMA mode 0 is currently active.                            |
|                                  | 9     | Multiword DMA mode 1 is currently active.                            |
|                                  | 10    | Multiword DMA mode 2 is currently active.                            |
|                                  | Bit   | Word 84  |
|                                  | 0     | SMART error logging is supported.                                    |
|                                  | 1     | SMART self-test is supported.  |
|                                  | 2     | Media serial number is supported.                                    |
|                                  | 3     | Media Card Pass Through Command feature set is supported.            |
|                                  | 4     | Streaming feature set is supported.                                  |
|                                  | 5     | GPL feature set is supported.  |
|                                  | 6     | WRITE DMA FUA EXT and WRITE MULTIPLE FUA EXT commands are supported. |
|                                  | 7     | WRITE DMA QUEUED FUA EXT command is supported.                       |
|                                  | 8     | 64-bit World Wide Name is supported.                                 |
|                                  | 9-10  | Obsolete.  |
|                                  | 11-12 | Reserved for TLC.  |
|                                  | 13    | IDLE IMMEDIATE command with IUNLOAD feature is supported.            |
|                                  | 14    | Shall be set to 1.   |
|                                  | 15    | Shall be cleared to 0.   |
|                                  | Bit   | Word 88  |
|                                  | 0     | Ultra DMA mode 0 is supported.                                       |
|                                  | 1     | Ultra DMA mode 1 is supported.                                       |
|                                  | 2     | Ultra DMA mode 2 is supported.                                       |
|                                  | 3     | Ultra DMA mode 3 is supported.                                       |

|  |    |                                       |
|--|----|---------------------------------------|
|  | 4  | Ultra DMA mode 4 is supported.        |
|  | 5  | Ultra DMA mode 5 is supported.        |
|  | 6  | Ultra DMA mode 6 is supported.        |
|  | 8  | Ultra DMA mode 0 is currently active. |
|  | 9  | Ultra DMA mode 1 is currently active. |
|  | 10 | Ultra DMA mode 2 is currently active. |
|  | 11 | Ultra DMA mode 3 is currently active. |
|  | 12 | Ultra DMA mode 4 is currently active. |
|  | 13 | Ultra DMA mode 5 is currently active. |
|  | 14 | Ultra DMA mode 6 is currently active. |

### 5.3.2 Set Features command

This command controls the implementation of various features that the drive supports. When the drive receives this command, it sets BSY, checks the contents of the Features register, clears BSY and generates an interrupt. If the value in the register does not represent a feature that the drive supports, the command is aborted. Power-on default has the read look-ahead and write caching features enabled. The acceptable values for the Features register are defined as follows

**Table 11 Set Features command values**

|                 |   |
|-----------------|---|
| 02 <sub>H</sub> | Enable write cache ( <i>default</i> ).  |
| 03 <sub>H</sub> | Set transfer mode (based on value in Sector Count register).<br>Sector Count register values: |
|                 | 00 <sub>H</sub> Set PIO mode to default (PIO mode 2).   |
|                 | 01 <sub>H</sub> Set PIO mode to default and disable IORDY (PIO mode 2).                       |
|                 | 08 <sub>H</sub> PIO mode 0  |
|                 | 09 <sub>H</sub> PIO mode 1  |
|                 | 0A <sub>H</sub> PIO mode 2  |
|                 | 0B <sub>H</sub> PIO mode 3  |
|                 | 0C <sub>H</sub> PIO mode 4 ( <i>default</i> )   |
|                 | 20 <sub>H</sub> Multiword DMA mode 0  |
|                 | 21 <sub>H</sub> Multiword DMA mode 1  |
|                 | 22 <sub>H</sub> Multiword DMA mode 2  |
|                 | 40 <sub>H</sub> Ultra DMA mode 0  |
|                 | 41 <sub>H</sub> Ultra DMA mode 1  |
|                 | 42 <sub>H</sub> Ultra DMA mode 2  |
|                 | 43 <sub>H</sub> Ultra DMA mode 3  |
|                 | 44 <sub>H</sub> Ultra DMA mode 4  |
|                 | 45 <sub>H</sub> Ultra DMA mode 5  |
|                 | 46 <sub>H</sub> Ultra DMA mode 6  |
| 10 <sub>H</sub> | Enable use of SATA features   |
| 55 <sub>H</sub> | Disable read look-ahead (read cache) feature.   |
| 82 <sub>H</sub> | Disable write cache   |
| 90 <sub>H</sub> | Disable use of SATA features  |
| AA <sub>H</sub> | Enable read look-ahead (read cache) feature ( <i>default</i> ).                               |
| F1 <sub>H</sub> | Report full capacity available  |

**Note** At power-on, or after a hardware or software reset, the default values of the features are as indicated above.



### 5.3.3 S.M.A.R.T. commands

S.M.A.R.T. provides near-term failure prediction for disk drives. When S.M.A.R.T. is enabled, the drive monitors predetermined drive attributes that are susceptible to degradation over time. If self-monitoring determines that a failure is likely, S.M.A.R.T. makes a status report available to the host. Not all failures are predictable. S.M.A.R.T. predictability is limited to the attributes the drive can monitor. For more information on S.M.A.R.T. commands and implementation, see the *Draft ATA-5 Standard*.

SeaTools diagnostic software activates a built-in drive self-test (DST S.M.A.R.T. command for D4<sub>H</sub>) that eliminates unnecessary drive returns. The diagnostic software ships with all new drives and is also available at: <http://www.seagate.com/support/downloads/seatools/>.

This drive is shipped with S.M.A.R.T. features disabled. Users must have a recent BIOS or software package that supports S.M.A.R.T. to enable this feature. The table below shows the S.M.A.R.T. command codes that the drive uses.

**Table 12 S.M.A.R.T. commands**

| Code in features register | S.M.A.R.T. command                               |
|---------------------------|--|
| D0 <sub>H</sub>           | S.M.A.R.T. Read Data                             |
| D2 <sub>H</sub>           | S.M.A.R.T. Enable/Disable Attribute Autosave     |
| D3 <sub>H</sub>           | S.M.A.R.T. Save Attribute Values                 |
| D4 <sub>H</sub>           | S.M.A.R.T. Execute Off-line Immediate (runs DST) |
| D5 <sub>H</sub>           | S.M.A.R.T. Read Log Sector                       |
| D6 <sub>H</sub>           | S.M.A.R.T. Write Log Sector                      |
| D8 <sub>H</sub>           | S.M.A.R.T. Enable Operations                     |
| D9 <sub>H</sub>           | S.M.A.R.T. Disable Operations                    |
| DA <sub>H</sub>           | S.M.A.R.T. Return Status                         |

|             |   |
|-------------|---|
| <b>Note</b> | If an appropriate code is not written to the Features Register, the command is aborted and 0x04 (abort) is written to the Error register. |
|-------------|---|



**Seagate Technology LLC**

*AMERICAS Seagate Technology LLC 10200 South De Anza Boulevard, Cupertino, California 95014, United States, 408-658-1000*

*ASIA/PACIFIC Seagate Singapore International Headquarters Pte. Ltd. 7000 Ang Mo Kio Avenue 5, Singapore 569877, 65-6485-3888*

*EUROPE, MIDDLE EAST AND AFRICA Seagate Technology SAS 16-18 rue du Dôme, 92100 Boulogne-Billancourt, France, 33 1-4186 10 00*

*Publication Number: 100751314, Rev. G*

*September 2017*