

# 1 Pre Installation

Thank you for selecting a Maxtor product. Your Maxtor Personal Storage™ product is an external hard drive that allows you to add storage to your computer to hold and organize your documents, videos, music, photos, graphics, and more.

Please refer to the reverse side of this installation guide for product warranty information.

### USB Backward Compatibility

The Maxtor Personal Storage 3000LE is backward compatible and can be used with current computer systems with built-in USB 1.1 ports. If your computer does not have USB 2.0 support built in, a USB 2.0 PCI adapter card is required to achieve USB 2.0 data transfer rates.

### Handling Precautions

If these handling precautions are not followed, damage to the 3000LE may result and your warranty may become void. Please see the Warranty section for additional information.

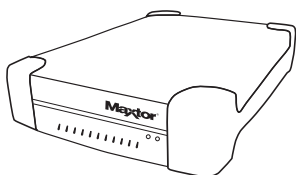
- DO NOT bump, jar or drop this device as it may cause loss of data.
- DO NOT stack device more than three units high.
- DO NOT set the device on its side as it may fall over and damage the internal hard drive.
- DO NOT remove any cables or power without properly disconnecting the device via your operating system – as this may cause data loss and possible damage to the internal hard drive.
- DO NOT set any liquids or drinks on the device. Liquids will damage the internal electronics.
- DO NOT attempt to open the device. It will void the warranty.

### Hardware and Operating System Requirements for Windows

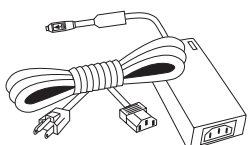
- Pentium II-class equivalent processor or higher
  - 32 MB of RAM or higher if required by operating system
  - Available USB 1.1\* or USB 2.0 port
  - Internet connection (for system updates)
  - CD-ROM drive
  - Windows 98 Second Edition, Windows Millennium, Windows 2000 or Windows XP
- \* Upgrade to USB 2.0 with a Maxtor USB 2.0 Adapter Card (optional)

### Kit Components

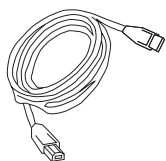
The Maxtor Personal Storage 3000LE comes complete with the components shown here. Please familiarize yourself with each of these items prior to installation.



Personal Storage 3000LE



Power Adapter



USB Interface Cable



CD-ROM

# 2 Hardware Installation

### Personal Storage Installation

To connect your new Maxtor Personal Storage 3000LE to your computer, please follow these simple steps. If these steps are not performed in order, the 3000LE may not function properly.

#### Power Cord Connections

1. Ensure that your computer is turned on and is running one of the required operating systems.
2. Plug the four-pin male connector with the flat side facing up into the back of the 3000LE's DC power-in connector (Figure 1).

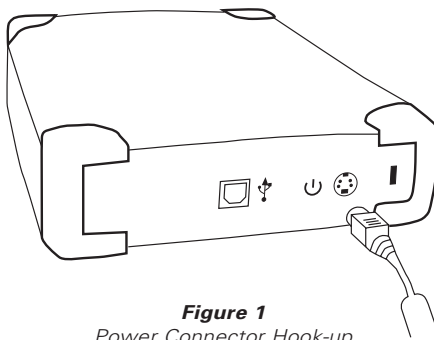


Figure 1  
Power Connector Hook-up

3. Connect the female end of the power cord into the power adapter (Figure 2).

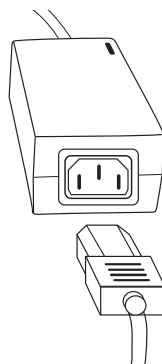


Figure 2  
Power Adapter Hook-up

4. Plug the male connector from the power adapter into your power source.

#### USB Data Cable Connections

1. Plug the larger end of the USB cable into any available USB port on your computer.
2. Plug the smaller end of the USB cable into the USB connection on the 3000LE (Figure 3).

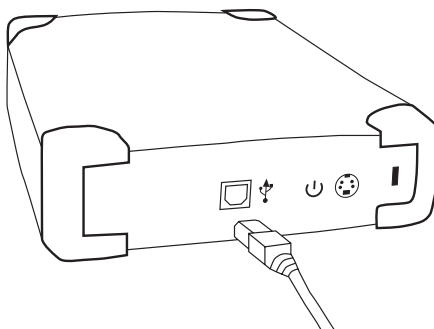


Figure 3  
USB Interface Cable Hook-up

# 3 Windows PC Software Setup

### Windows Millennium/2000/XP

Maxtor has completely setup your new Personal Storage 3000LE with one large FAT32 partition.

After you connect the drive to your computer, Windows will detect the "USB Mass Storage Device" and install the drivers for it.

Allow up to 2 minutes for your computer to recognize the drive.

Note that Windows will use its own drivers. Do not use the Installation CD supplied with this product.

Restart your system.

Your drive is now ready to use.

### Windows 98SE

Additional drivers are required to use the Maxtor Personal Storage 3000LE with Windows 98SE. Please follow these steps for proper installation.

1. Install your hardware as instructed. When you connect the drive to your computer with the USB cable, the Windows **Add New Hardware Wizard** will appear. Click **Next** on this first screen.
2. Insert the 3000LE Driver disk into your CD-ROM drive.
3. On the second screen, select the option to **Search for the best driver** and click **Next**.
4. On the third screen, select the option to search the **CD-ROM** for a driver and click **Next**.
5. The Hardware Wizard should find a driver on the CD-ROM called **MXOFX.INF**. Click **Next** to install this driver.
6. After a moment, the Hardware Wizard should tell you Windows has finished installing the software. Click **Finish**.
7. A couple of information screens will appear briefly. Your drive is now ready to use.

### Disconnecting the 3000LE

Right click on the Windows **Unplug or Eject Hardware** icon in your System Tray icon located at the bottom right corner of your screen.



### Reattaching the 3000LE

1. Plug the male connector from the power cord into your electrical wall outlet.
2. Plug in the smaller end of the USB cable into the USB connection on the 3000LE.

# 4 Product Registration

### Take advantage of the benefits!

By registering your new 3000LE, you'll have the option to receive product updates, special offers, and important information about other data storage solutions from Maxtor.

Simply point your web browser to: **www.maxtor.com** – go to the product registration page, and complete the short questionnaire.

**www.maxtor.com**

P/N: 20163101, rev. A/Windows

### 1 Pre Installation

Thank you for selecting a Maxtor product. Your Maxtor Personal Storage™ product is an external hard drive that allows you to add storage to your computer to hold and organize your documents, videos, music, photos, graphics, and more.

Please refer to the reverse side of this installation guide for USB compatibility, handling precaution, and kit component information.

#### Hardware and Operating System Requirements for Macintosh

- PowerPC with on-board USB port (iMac, G3 or higher)
- Full version of Mac OS 9.1 or higher, OS X 10.1.2 or higher
- 32 MB of RAM or greater if required by Mac OS
- Internet connection (for system updates)

### 2 Hardware Installation

#### Personal Storage Installation

To connect your new Maxtor Personal Storage 3000LE to your computer, please follow these simple steps. If these steps are not performed in order, the 3000LE may not function properly.

#### Power Cord Connections

1. Ensure that your computer is turned on and is running one of the required operating systems.
2. Plug the four-pin male connector with the flat side facing up into the back of the 3000LE's DC power-in connector (Figure 1).

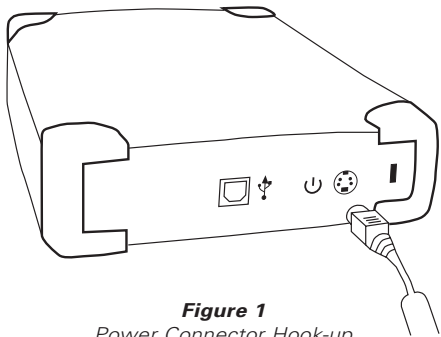


Figure 1  
Power Connector Hook-up

3. Connect the female end of the power cord into the power adapter (Figure 2).

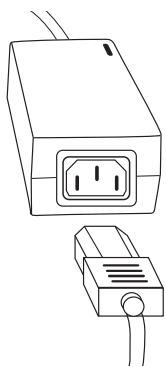


Figure 2  
Power Adapter Hook-up

4. Plug the male connector from the power adapter into your power source.

#### USB Data Cable Connections

1. Plug the larger end of the USB cable into any available USB port on your computer.
2. Plug the smaller end of the USB cable into the USB connection on the 3000LE (Figure 3).

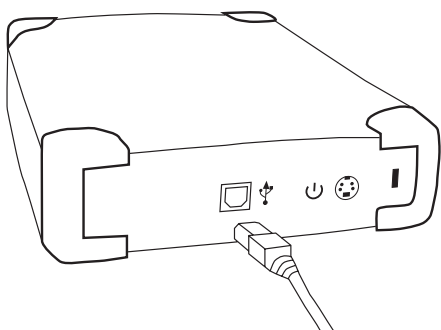


Figure 3  
USB Interface Cable Hook-up

### 3 Macintosh Software Setup

**OS X:** Once you have completed the Hardware Installation, an Alert box will appear saying the drive is unreadable. This is normal.

**OS 9:** Once you have completed the Hardware Installation, the Mac OS will display an untitled volume. This is your new USB drive.

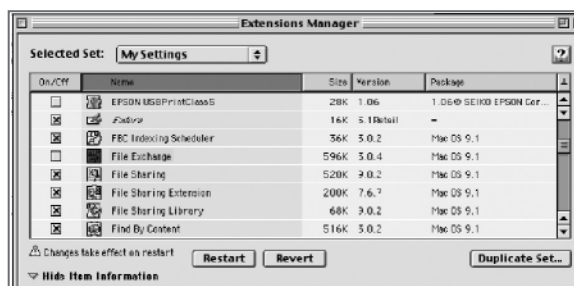
**Note:** It may take a few minutes for your drive to mount.

#### Formatting Your Drive for Mac OS

Formatting the drive destroys all data contained on that drive. Make a backup copy of all your data before formatting your drive.

#### To format the drive for Mac OS 9

1. Disable the **File Exchange** control panel.
  - a. From the Apple () menu, select **Control Panels → Extensions Manager**.



- b. From the list that appears, clear the check box next to the **File Exchange** control panel.
- c. Click **Restart**.

As the computer restarts, a message appears saying the **drive is unreadable** and asks you to initialize the drive.



2. Enter a name for the drive in the **Name** field.
3. Select **Mac OS Extended** from the **Format** menu and click **Initialize**.

You will receive an Alert: **"Initializing will erase all information on your drive."** Click **Continue**.

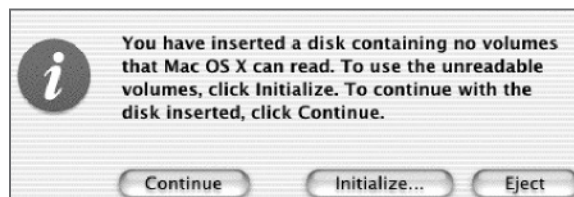
The new drive appears on your desktop as a Macintosh drive with the name you assigned.

To confirm the drive is formatted properly, select the drive and then select **File → Get Info → General Information**. The drive format should read Mac OS Extended.

4. Enable the **File Exchange** control panel.
  - a. From the **Apple** menu, select **Control Panels → Extensions Manager**.
  - b. Select the check box next to the **File Exchange** control panel.
  - c. Under **Special** (top menu bar), click **Restart**.

#### To format the drive for Mac OS X

1. An alert box appears saying the new **drive is unreadable** and asks you to initialize the drive.

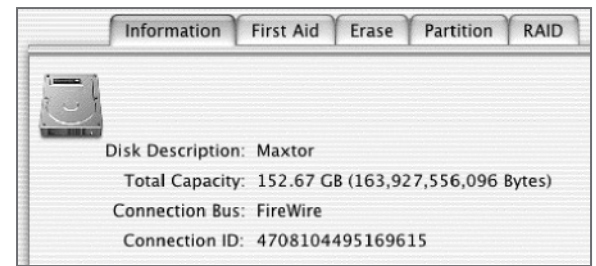


2. Click **Initialize**.  
If you see another message, click **OK**.  
The **Disk Utility** menu appears.

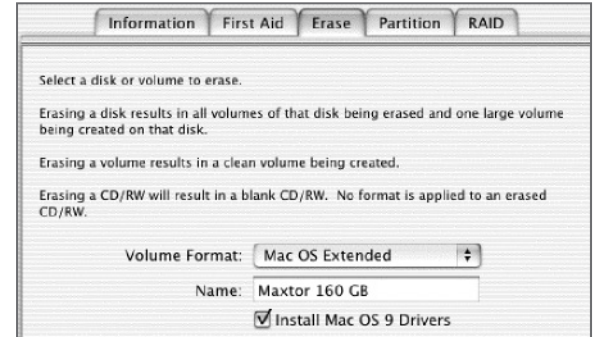
3. Select your new drive from the list on the left.

Make sure you select your new drive. This utility will erase all data on a drive.

A description of the drive appears in the window.



4. Select the **Erase** tab at the top of the window.



5. Select Mac OS Extended from the **Volume Format** drop-down list.
6. Enter a name for your drive in the **Name** field.
7. Select the check box next to **Install Mac OS 9 Drivers**.

This will allow your disk to be recognized if you start your system in Mac OS 9.

8. Click **Erase** to continue.

An alert dialog appears to confirm the Erase process.

9. Click **Erase** to start the formatting process.

After a few minutes, your drive will be formatted with the Mac OS Extended format.

You can now begin using your new drive. If you wish to partition the drive into two or more volumes, you can select the Partition tab in the Disk Utility program and follow the instructions.

### 4 Product Registration

#### Take advantage of the benefits!

By registering your new 3000LE, you'll have the option to receive product updates, special offers, and important information about other data storage solutions from Maxtor.

Simply point your web browser to: [www.maxtor.com](http://www.maxtor.com) – go to the product registration page, and complete the short questionnaire.

### Product Warranty

Maxtor's warranty obligations are limited to the terms set forth: Maxtor warrants only to the original consumer purchaser that new Maxtor products will be free from defects in material and workmanship for 1 year from the date of original purchase.

For a replacement product, the warranty on the replacement device is the remainder of the warranty on the original device or 90 days, whichever is longer. If you discover a defect, Maxtor will, at its option, repair or replace the product at no charge to you, provided you return it during the warranty period, with transportation charges prepaid, to Maxtor in Ireland, Singapore or the USA.

Products must be properly packaged in Maxtor packaging or Maxtor approved packaging to obtain warranty service. Before returning a Maxtor product, please contact Maxtor at: +353 1 204 1111 (in Europe) or 1-800-2MAXTOR (in U.S.) to obtain a Return Material Authorization (RMA) number. A copy of the receipt or a bill of sale bearing the appropriate Maxtor serial number and model number may be required for warranty service. The warranty applies only to the Maxtor products that can be identified by the Maxtor trademark, trade name, serial number or logo affixed to them. Maxtor does not warrant any product that is not manufactured by, for or with permission from Maxtor.

This warranty is not applicable to: Abnormal wear and tear; Abuse, unreasonable use, mistreatment, or neglect; Damage caused during installation of the Product; Damage caused by the equipment or system with which the product is used; Damage caused by modification or repair not made or authorized by Maxtor; Product whose Maxtor Serial Number has been removed or defaced; Damage caused by liquids in the product case; Damage to the products' interface or power connectors; Damage caused by use of non-Maxtor packaging; Damage caused by improper or improperly used packaging; Products that are determined to be stolen.

THIS WARRANTY AND REMEDIES SET FORTH ABOVE ARE EXCLUSIVE AND IN LIEU OF ALL OTHERS, WHETHER ORAL OR WRITTEN, EXPRESSED OR IMPLIED. MAXTOR SPECIFICALLY DISCLAIMS ANY AND ALL IMPLIED WARRANTIES, INCLUDING, WITHOUT LIMITATION, WARRANTIES OF MERCHANTABILITY AND FITNESS FOR A PARTICULAR PURPOSE AND AGAINST INFRINGEMENT. Additionally, Maxtor does not warrant that the installation software for Macintosh OS and Windows OS will meet your requirements nor the performance or results that the operation of the program will be uninterrupted or error free. No Maxtor dealer, agent or employee is authorized to make any modification, extension or addition to this warranty.

MAXTOR IS NOT RESPONSIBLE FOR SPECIAL, INCIDENTAL, INDIRECT OR CONSEQUENTIAL DAMAGES RESULTING FROM ANY BREACH OF WARRANTY, OR UNDER ANY OTHER LEGAL THEORY, INCLUDING BUT NOT LIMITED TO LOSS OF DATA, LOSS OF PROFITS, DOWNTIME, GOODWILL, DAMAGE OR REPLACEMENT OF EQUIPMENT AND PROPERTY, AND ANY COSTS OF RECOVERING, PROGRAMMING OR REPRODUCING ANY PROGRAM OR DATA STORED IN OR USED WITH MAXTOR DISK DRIVES OR MAXTOR PRODUCTS CONTAINING MAXTOR DISK DRIVES or any software product distributed therewith.

Some states/jurisdictions do not allow the exclusion or limitation of incidental or consequential damages or exclusions of implied warranties, so the above limitations or exclusions may not apply to you. This warranty gives you specific legal rights, and you may also have other rights that vary from jurisdiction to jurisdiction.