

Installation Guide

Ultra ATA/133 Hard Drive Mounting Kit

Handling Precautions



DO ground yourself before handling the drive to avoid the risk of exposing it to electrostatic discharge.

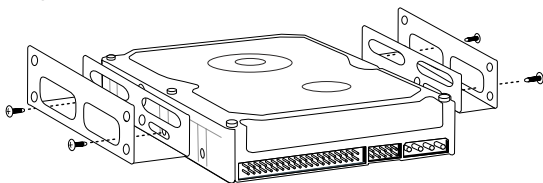
Use a grounding strap or touch a metal part of your computer's case when your system is powered down AND connected to an electrical outlet.

Installing the Mounting Brackets

The included mounting brackets can be used to mount your drive in a standard 5.25-inch device bay. It is not necessary to use the brackets if you are installing your drive in a 3.5-inch device bay. If you have questions about the kind of device bays your computer has, please refer to your computer user manual.

To install your drive in a 5.25-inch device bay using the brackets, please perform the following steps:

1. Turn off your computer. Be sure to leave the power cord plugged into your computer and an electrical outlet to ensure proper grounding. Remove the cover from your computer as indicated in your computer user manual.
2. Align the screw holes on one of the included U-shaped mounting brackets with the screw holes on either side of the drive (see figure below). The short side of the bracket should face inward against the drive.



3. Using two of the included screws, attach the bracket to the drive.

Warning: Using any screws except those supplied may cause damage to your drive or system.

Kit Components

- UDMA 133 IDE interface cable
- Two 5.25-inch mounting brackets
- Eight mounting screws

Tools Required for Installation

- A small (#2) Phillips screw driver
- Your computer user manual

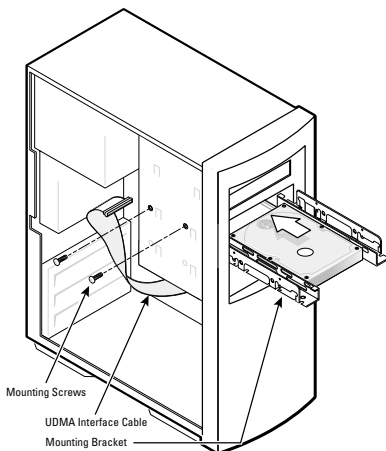
DON'T connect/disconnect any cables to the drive or system when the power is ON.

DON'T touch the green printed circuit board on the bottom of the hard drive.

DON'T force or rock the cable connectors into or out of their sockets.

4. Repeat steps 2 and 3 to attach the second mounting bracket to the other side of the drive.
5. Insert the bracketed drive into the selected 5.25-inch device bay in your system and use the four remaining screws to attach the drive to the sides of the bay. Be careful not to touch the green circuit board on the bottom of the drive.

Note: Make sure the ATA connector end of the drive is facing the interior of your computer case so you can connect the interface and power cables.



**Computer with available
5.25-inch device bay**

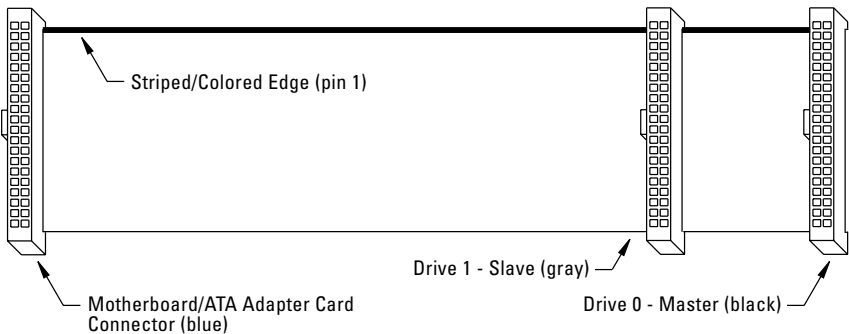
Attaching the UDMA 133 Cable

Determine if the hard drive you are adding will be used in master or slave configuration. Configure the drive's jumper settings to match. Refer to your hard drive installation instructions for proper jumper settings.

Tip: A jumper is a small plastic piece that slides over a pair of configuration pins. These configuration pins are usually located adjacent to the ATA connector on the rear of the drive.

Connect the cable to the ATA connectors on the hard drive and motherboard/ATA adapter card as shown in the figure below.

Be sure to orient each cable connector correctly before inserting it into an ATA connector. The correct orientation of the cable connector can be found by matching the groove on one side of the cable connector with the corresponding notch in the ATA connector.



UDMA Interface Cable

(industry standard cable length - 18 inches)

Warranty: MAXTOR MAKES NO REPRESENTATION OR WARRANTY CONCERNING THE QUALITY, PERFORMANCE OR OTHER CHARACTERISTICS OF THE ULTRA ATA/133 INTERFACE CABLE, 2 MOUNTING BRACKETS, AND 8 SCREWS ("HARD DRIVE MOUNTING KIT"). THERE ARE NO WARRANTIES, EXPRESSED OR IMPLIED, INCLUDING BUT NOT LIMITED TO, THE IMPLIED WARRANTIES OF MERCHANTABILITY AND FITNESS FOR A PARTICULAR PURPOSE. CUSTOMER ACCEPTS THE MAXTOR HARD DRIVE MOUNTING KIT "AS IS" AND WITHOUT ANY WARRANTY. CUSTOMERS MAY HAVE OTHER RIGHTS DEPENDING UPON THE STATE IN WHICH THEY RESIDE.

Changes are periodically made to the information herein - which will be incorporated in revised editions of the publication. Maxtor may make changes or improvements in the product(s) described in this publication at any time and without notice. Copyright © 2002 Maxtor Corporation. All rights reserved. Printed in the U.S.A. 2/02. Maxtor® is a registered trademark of Maxtor Corporation. Other brands or products are trademarks or registered trademarks of their respective holders.

Maxtor P/N: 20148001, rev A