

Seagate ClusterStor G300N

Any Where, Any Time



ClusterStor™ G300N

Purposed-engineered for productivity-critical, data-heavy applications, Seagate ClusterStor G300N with IBM® Spectrum Scale® software delivers unmatched, performance efficiency, reliability and support speeding innovation and discovery. Seagate's storage system is tightly integrated with IBM Spectrum Scale creating a unified, modular architecture. Seagate storage enclosures feature "Cluster in a Box" integration of dual high availability Network Shared Disks with integrated, Metadata and Management Servers that are monitored and managed by the Seagate ClusterStor Manager software stack eliminating single points of failure, optimizing system availability and productivity. The Engineered Solution approach at the component level creates modular building blocks for granular performance and capacity scalability while containing and managing system availability across the storage cluster.

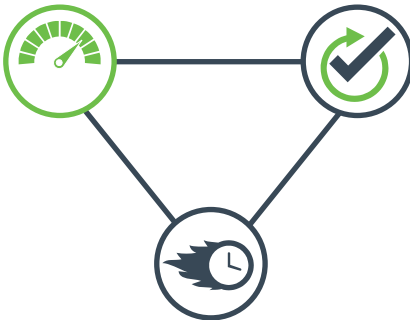
The ClusterStor Nytro Intelligent I/O Manager provides transparent performance acceleration for any I/O workload. The Nytro Intelligent I/O Manager features a high availability data protection architecture that does not use a non file locking secondary file system or proprietary compute client software. The Nytro Intelligent I/O Manager monitors and directs I/O workloads to the flash or disk storage pools providing efficient performance utilization. Cost effective IOPS performance acceleration is achieved by only processing the data that will benefit with flash storage including small block sizes, un – aligned I/O or read modify write workloads. The flash pool data provides 100% write performance acceleration and can be configured to provide read performance acceleration. The flash storage pool data is written to the disk storage pool in an automated flash cache use case process. Configuration options allow a specific data set remain in the flash storage pool until an administration instruction is provided to write to the disk storage pool. The Nytro Intelligent I/O Manager will direct large data blocks to the ClusterStor GridRAID disk pool providing efficient bandwidth performance acceleration.

Seagate ClusterStor G300N

- Up to 112GB/sec bandwidth performance per rack.
- ClusterStor Nytro Intelligent I/O Manager enabling Flash Cache acceleration.
- IBM Spectrum Scale version 4.2.2, Standard or Advanced.
- ClusterStor GridRAID - De-clustered RAID, enables faster disk re-build maximizing system productivity.
- Seagate integrated software and hardware solution stack provides superior manageability, reliability and customer support.
- Mellanox EDR | 100 GbE | Intel Omni-Path - network connectivity support.
- No single points of failure - enables high storage system level productivity.
- Delivered pre-configured and tested, enables faster time to production and enhances long term reliability.
- Investment protection - Capability to add performance and capacity to an existing file system.
- Scalable Metadata Performance – Metadata scales with each SSU building block.
- High Productivity Manageability - seamless integration, monitoring and reporting of key hardware and software elements to ensure high availability data access and performance.

Highest Efficiency
at Any Scale

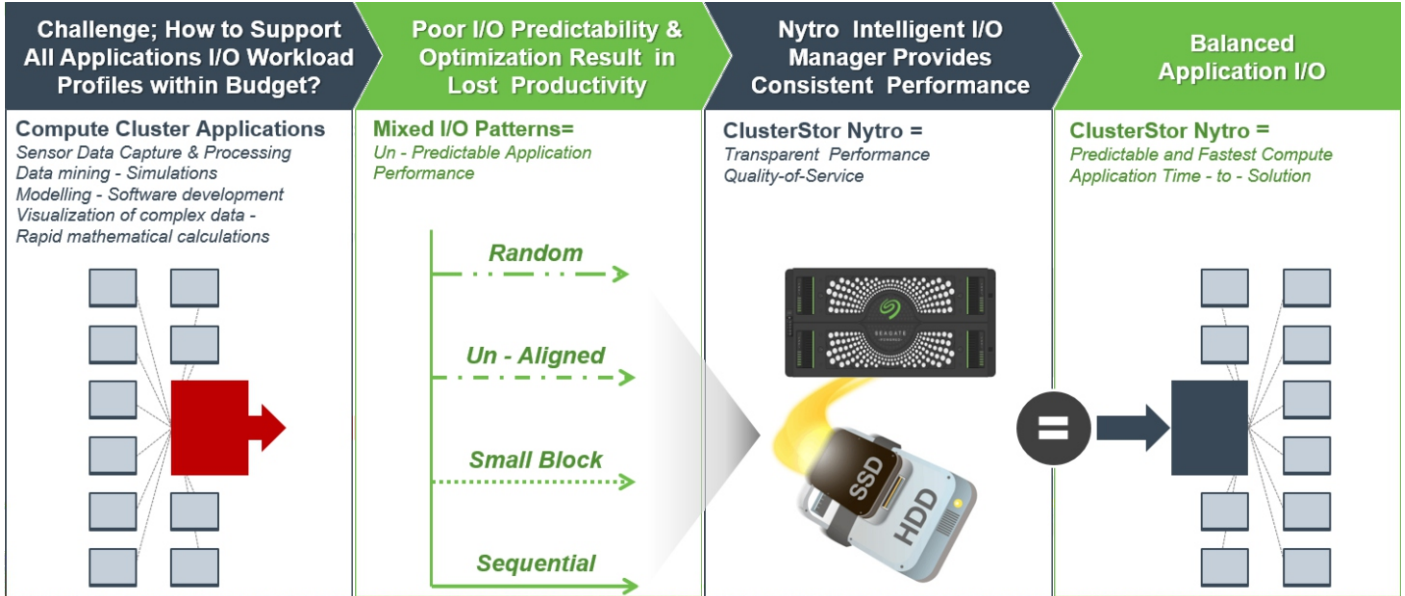
Field Proven Reliability
at Any Scale



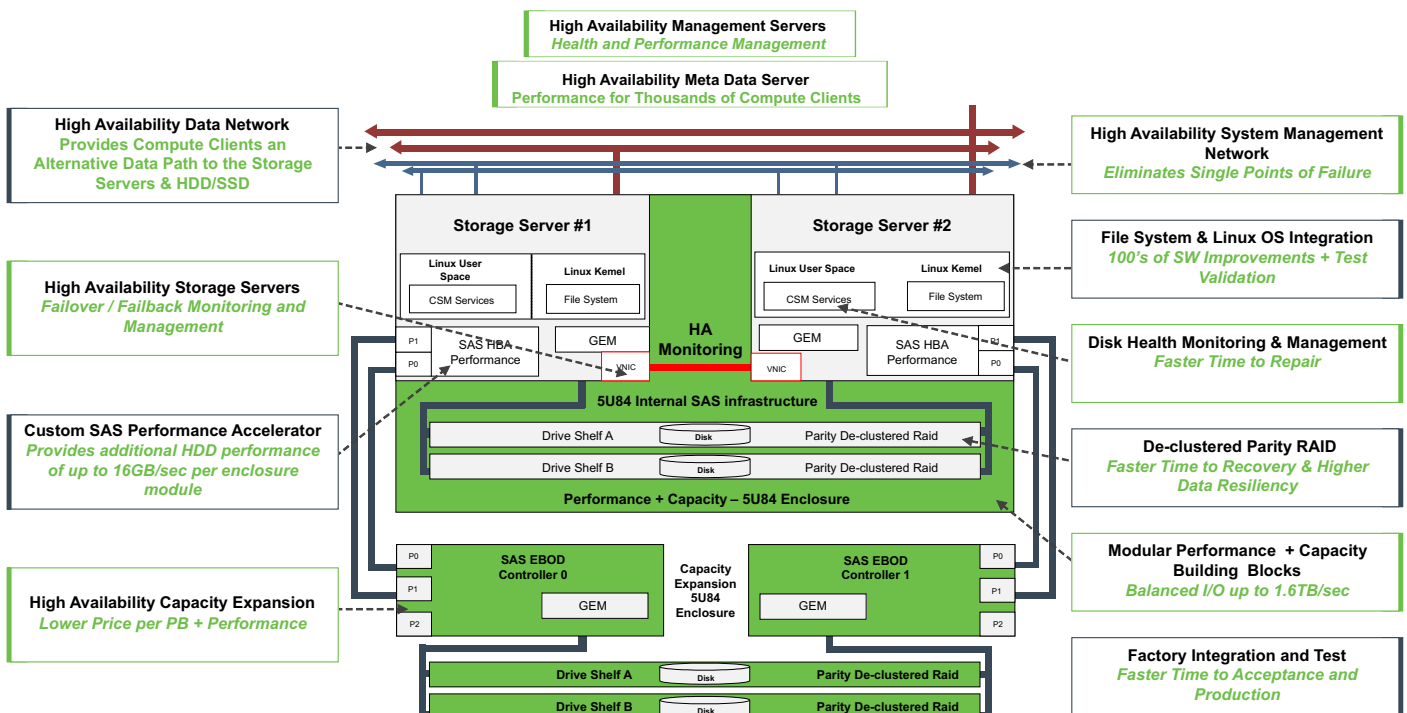
Faster time to Solution by Breaking
Application Bottlenecks

Seagate ClusterStor G300N

ClusterStor Nytro Intelligent I/O Manager; Efficient Mixed I/O Workload Performance Acceleration



The Seagate ClusterStor G300N benefits from previous generations that provide up to 1.6TB/sec file system performance for customers today, reduced data center floor space, power, cooling and administrative costs. This enables customers to reach maximum sustained application performance at the lowest Total Cost of Ownership (TCO) possible at any scale. The ClusterStor solution provides a wide range of service and support options with a single source for end-to-end solution support from Seagate, the storage industry leader.

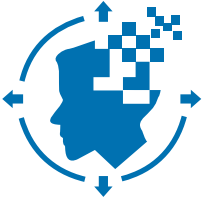


Modular Engineered Efficiency, High Availability and Performance

Seagate ClusterStor G300N

Seagate Services

Maximize Value by Bringing Seagate's Expertise to You



Professional Services

TIME TO VALUE

Strategic consulting, solution design, implementation and migration



Education Services

DEVELOP "IN HOUSE" EXPERTISE

Develop your team's skills and expertise to optimize your investment



Support Services

EXPERT HELP

Support from trusted experts, with SLAs that meet your critical business needs

Expert Consulting, Services and Support from Seagate and Our Certified Partners

Specifications	
General Information	
Parallel File System Performance	Up to 112 GB/s bandwidth performance per 42RU height base and expansion racks*
File System Capacity (raw)	Up to 5,740 TB per base and expansion rack using 10TB SAS HDDs
Scalable Storage Unit (SSU)	Up to 7 in base and expansion racks
Network Shared Disks (NSD)	Up to 14 in base and expansion racks
System Management Unit (SMU)	High availability server pair 2U24 drive enclosure
Client Network Access	InfiniBand EDR, FDR, QDR Ethernet 100/40 Intel Omni-Path
Management Network	1 Gigabit Ethernet (dual management network with high availability failover)
File System	IBM® Spectrum Scale version 4.2.2, Standard or Advanced.
Maximum nodes	Up to 10 Billion (requires a certain numbers of SSUs)
Drive Configurations	
Scalable Storage Unit Drive Configuration	2 SSDs, RAID 1, 1+1, or 4 SSDs, RAID 10 80 or 82 HDDs, 3.5" 7.2K RPM or, 80 or 82 HDDs 3.5" 10K RPM with ClusterStor GridRAID
Expansion Storage Unit Drive Configuration	84 HDDs, 3.5" 7.2K RPM or 84 HDDs, 3.5" 10K RPM with ClusterStor GridRAID
System Management Unit (SMU)	7 HDDs, 2.5" 10K RPM, 1+1 & 2+2, 1 Spare 5 HDDs, 2.5" 15K RPM, 1+1 x2, 1 Spare
<small>SSU Disk enclosures 80 PLUS® Platinum Certified power efficiency with adaptive cooling technology. Seagate is registered through BSI to the international standard for environmental management systems ISO 14001:2004 and holds certificates for its manufacturing locations at Guadalajara, Mexico.</small>	
<small>(1) Product availability and specifications subject to change. Consult your authorized Seagate ClusterStor reseller partner or Seagate ClusterStor Sales representative for details. (2) Rack configuration attributes above provide a representative example.</small>	

seagate.com

AMERICAS
ASIA/PACIFIC
EUROPE, MIDDLE EAST AND AFRICA

Seagate Technology LLC 10200 South De Anza Boulevard, Cupertino, California 95014, United States, 408-658-1000
Seagate Singapore International Headquarters Pte. Ltd. 7000 Ang Mo Kio Avenue 5, Singapore 569877, 65-6485-3888
Seagate Technology SAS 16-18, rue du Dôme, 92100 Boulogne-Billancourt, France, 33 1-4186 10 00