



Replacing a main bay cover in a 4U enclosure

SEAGATE

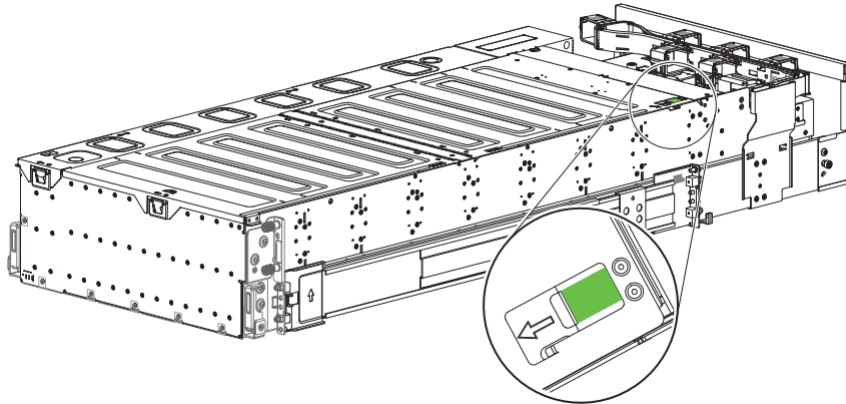
Exos Corvault 4U106, Exos E 4U106 storage systems, and Exos AP 4U100 Integrated Storage Servers

This document contains the steps in replacing a main bay cover for a 4U enclosure. More detailed information is found in the Hardware Maintenance and Installation Guide (HMIG) for the Exos Corvault 4U106, Exos E 4U106 storage systems, and Exos AP 4U100 Integrated Storage Servers. You can find the documents located at <https://www.seagate.com/support/data-storage-systems>.

CAUTION If you remove any FRU while the storage enclosure is powered up, you must replace it with a tested good spare within the allotted time for that FRU. If you do not replace the FRU and, when applicable, close the related cover within the identified time limit, you void the product warranty and the storage enclosure might overheat, causing equipment failure and possible data loss.

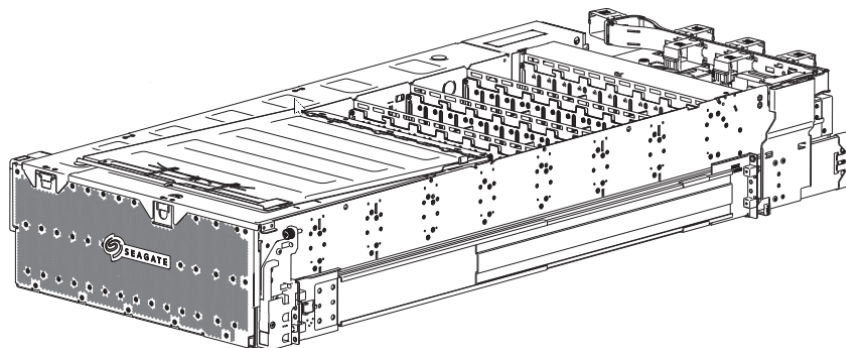
To remove and replace the main bay cover:

1. Facing the front of the rack cabinet, loosen the storage enclosure chassis flanges by twisting the captive thumbscrew on each side of the storage enclosure to the left.
2. Lower the pull handles, then gently and steadily pull the storage enclosure out until it locks in the service position.
3. After locating the main bay cover's rear latch, closest to the rear panel, push down on the green touch-point tab, then release it by pressing the latch away from the rear panel and toward the hinge.



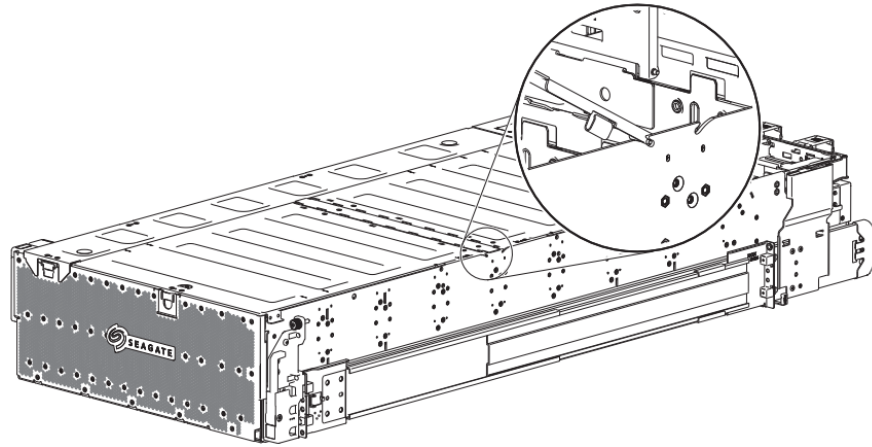
Location of main bay cover's rear latch

4. Pull the rear half of the main bay cover up onto its hinge, then rest it against the unopened half.



Rear half of an unpopulated main bay, unpopulated for clarity

5. After locating the main bay cover's front latch, push inward on the latch inside the green touch-point label to release it, then, grasping the main bay green touch-point on the cover tab to the far right, lift upward.
6. Grasping both halves, simultaneously lift them away from the hinge pin slot in an upward and outward angle toward the front of the chassis.



Rear half of an unpopulated main bay, unpopulated for clarity

7. Set the main bay cover aside.
 8. (Optional) If you need to replace the main bay cover with a new one, retrieve it from its container, inspect it for damage, and orient it so to match the final removal position of the damaged one.
 9. Fold the main bay cover in half, with the front half under and matching the rear half.
 10. Orient the main bay cover hinges to the hinge pin slot.
 11. Gently slide the hinge pins along the chassis until the hinges sink down into the front hinge pin slot.
 12. Carefully lower both halves toward the front until the front half engages in the locked position.
 13. Lift the back half away from the front half, still resting the hinged section on the chassis until engaging the rear half in the locked position with the rear hinge pin in its slot.
- IMPORTANT:** Do not proceed until you perform a visual inspection to verify all main bay cover edges connect completely with supporting surfaces, both hinge mechanisms are at the bottom of the pin slots, and latches for both halves fully engage.
14. Facing the front panel, locate and depress both safety lock latches to release the rails.
 15. Carefully exert even pressure on both sides of the storage enclosure front and continue insertion all the way into the rack until the mounting flange is flush with the rack ears, locking the storage enclosure into the storage position. Do not force insertion, which could damage the rails.
 16. Secure the storage enclosure chassis flanges to the rack cabinet, fastening the top captive thumbscrew on each side until tight.