



## Replacing a Power Supply Unit in a 5U Enclosure

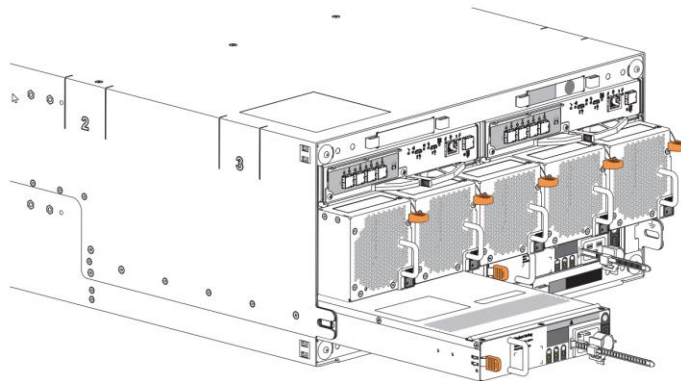
SEAGATE

### Exos X 4006 & Exos E Series Storage Systems, and AP Integrated Storage Servers

This document contains the steps in replacing a power supply unit (PSU) for a 5U enclosure. More detailed information is found in the Hardware Maintenance and Installation Guide (HMIG) for the Exos X 4006 & Exos E series storage systems, and the AP Integrated Storage Servers. You can find the documents located at <https://www.seagate.com/support/data-storage-systems>.

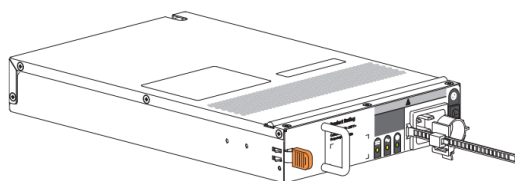
To replace a power supply unit:

- 1. Retrieve the new PSU in its static-protected container, ready to access and use the new PSU immediately upon removal of the faulty one.** Chapter 11 In-service field maintenance for 5U enclosures 116
- 2. After you complete the proper shut down of the application and when you are ready to power down the storage enclosure, face the rear of the rack cabinet and switch off the power for the faulty PCM or PSU.**
- 3. Disconnect each power connector from the power distribution unit (PDU).**
- 4. Complete the following actions to remove the faulty PSU:**
  - a. Release the PSU power cord from its secure tie, and then disconnect the power cord from the PSU connector.
  - b. Press the PSU release latch to the right to release the PSU from the midplane.
  - c. Use one hand to support the weight of the PSU and the other to pull the handle outward and withdraw the PSU.



**Power supply unit removal**

- d. Place it in a static-protected location.
- 5. Complete the following actions to replace the faulty PSU with a tested good one:**
    - a. Facing the rear of the storage enclosure, orient the new PSU with the latch to the left.



**Replacement power supply unit**

- b. Use one hand to support the weight of the PSU and the other to guide it into the empty PSU slot.
- c. Exerting even pressure to the center, gently press inward until it connects with the midplane and it locks in place.
- d. Connect the power cord, then move the PSU power switch to the ON position.

**6. Verify that the PSU OK LED is lit green on the replaced PSU after properly inserting and seating it in the empty slot.**

**7. Facing the front of the storage enclosure, verify that the Power On LED is green and there are no fault conditions.**