



## Replacing a Fan Cooling Module in a 5U Enclosure

SEAGATE

### Exos X 4006 & Exos E Series Storage Systems, and AP Integrated Storage Servers

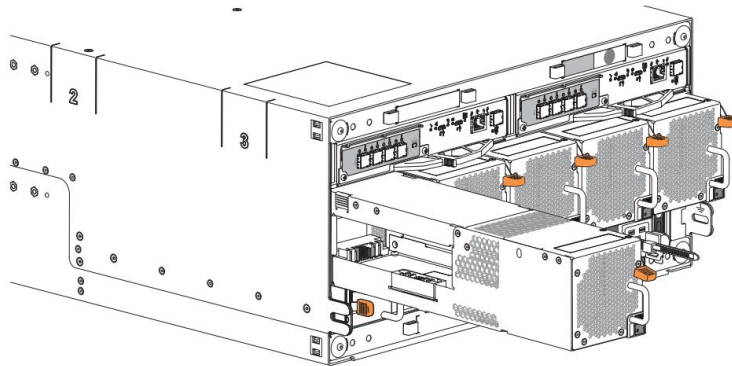
This document contains the steps in replacing a fan cooling module (FCM) for a 5U enclosure. More detailed information is found in the Hardware Maintenance and Installation Guide (HMIG) for the Exos X 4006 & Exos E series storage systems, and the AP Integrated Storage Servers. You can find the documents located at <https://www.seagate.com/support/data-storage-systems>.

To replace a power cooling module:

**1. Retrieve the new FCM in its static-protected container, ready to access and use the new FCM immediately upon removal of the faulty one.**

**2. Complete the following actions to remove the faulty FCM:**

- a. Facing the rear of the rack cabinet, press downward to release the FCM latch.
- b. Use one hand to support the FCM's weight and the other to gently withdraw the FCM all the way from its slot

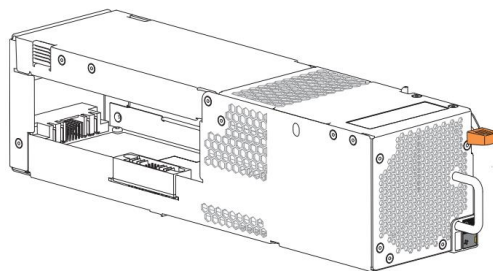


**Fan cooling module removal**

- c. Place it in a static-protected location.

**3. Complete the following actions to replace the faulty FCM with a tested, good one:**

- a. Orient the new FCM with the latch to the right.



**Replacement fan cooling module**

- b. Use one hand to support the weight of the FCM and the other to guide it into the empty FCM slot.
- c. Exerting even pressure to the center, gently press inward until it connects with the midplane and it locks in place.

**4. Verify the FCM OK LED is lit green on the replaced FCM after properly inserting and seating it in the empty slot.**

**5. Facing the front of the storage enclosure, verify that the Power On LED is green and there are no fault conditions.**