



# Replacing a Controller Module in a 2U Enclosure

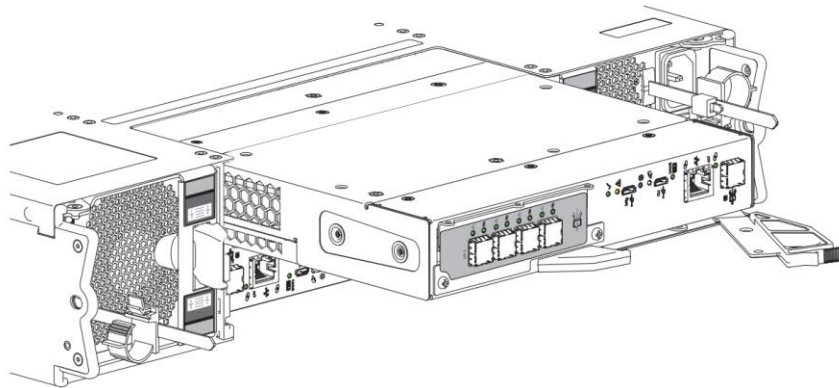
SEAGATE

## Exos X 4006 Series and AP Integrated Storage Servers

This document contains the steps in replacing a controller module (CM) for a 2U enclosure. More detailed information is found in the Hardware Maintenance and Installation Guide (HMIG) for the Exos X 4006 Series storage systems and AP Integrated Storage Servers. You can find the documents located at <https://www.seagate.com/support/data-storage-systems>.

### 1. Complete the following actions to remove the faulty CM:

- a. Facing the rear of the storage enclosure, grasp the CM release latch between thumb and forefinger, then squeeze together to release the latch and handle.

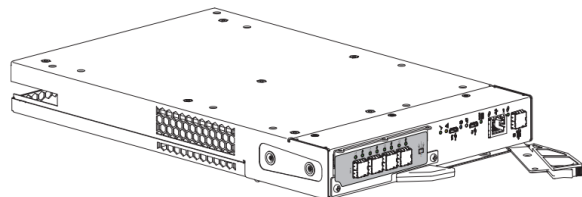


**Controller module removal, upper (SAS 4-port version)**

- b. Pull the handle outward to lever the CM away from the midplane.
- c. Use one hand to support the weight of the CM and the other to gently withdraw the CM from its slot.
- d. Place it in a static-protected location.

### 2. Complete the following actions to replace it with a tested good CM:

- a. Examine the tested good CM to make sure it is undamaged with pins that are straight, not bent.



**Replacement controller module (SAS 4-port version)**

- b. Facing the rear of the storage enclosure, orient the CM with the open latch identically to the one you just removed.
- c. Use one hand to support the weight of the CM and the other to guide it into the empty CM slot.
- d. Exerting even pressure to the center, gently press it against the midplane until the latch closes and it locks in place.

**3. After verifying the connectors are all undamaged, reconnect all cables as they were connected before.**

**4. Verify that the `Hardware normalLED` is lit green on the replaced CM after properly inserting and seating it in the empty slot.**

**5. Facing the front of the storage enclosure, verify that the `Power OnLED` is green and there are no fault conditions.**