



Seagate FireCuda 520 Cyberpunk 2077 Limited Edition SSD Installation Guide



Click here to access an up-to-date online version of this document. You will also find the most recent content as well as expandable illustrations, easier navigation, and search capability.

Contents

1	Introduction	3
	System requirements	3
	Parts	3
	Precautions	3
	Recommendations	4
	• Before installation	4
	Required tools	4
2	Installation	5
	Install FireCuda 520 SSD	5
	• Optional RGB LED connection	6
	RGB Color and Pattern Control	8
3	Support & Services	9
	SeaTools	9
	DiscWizard	9
	Firmware download and tools download for secure erase	9
	Internal SSD support	9
	Online support and services	9
	Warranty support	9
	Data recovery services	9
	Seagate Partner Program	10
4	Regulatory Compliance	11
	China RoHS	11
	Taiwan RoHS	11

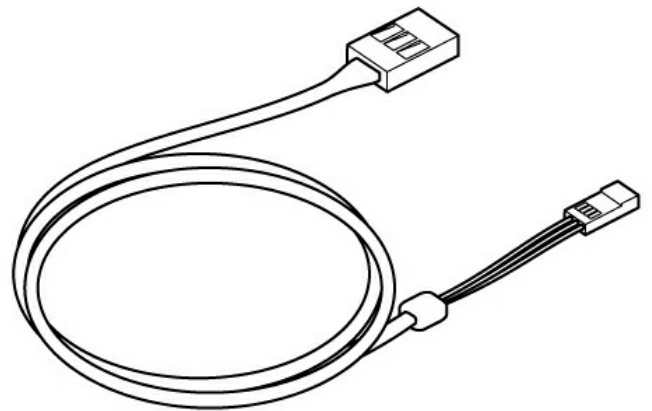
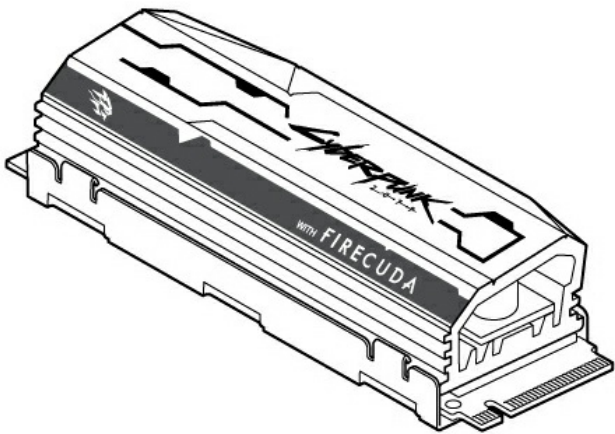
Introduction

System requirements

- M.2 (M key) slot, PCIe® G4 ×4 interface (backwards compatible with PCIe G3 interface)
- Windows® 10
- For RGB LED functionality: Motherboard with 5V addressable header

Parts

- FireCuda 520 SSD with heatsink
- Optional 5V addressable RGB connector cable to power and control RGB LED lights



Precautions

- Unpack the SSD.
- Inspect the SSD for any damages.
- For the safety of your SSD, please take the necessary precautions to avoid electrostatic discharge. Power down and power drain your computer according to the instructions provided in the computer product documentation.
- Back up the data from the existing storage device.

- ! **CAUTION** Electrostatic discharge (ESD) can damage the SSD. Make sure that you install the SSD at an ESD-safe workstation. Ground yourself to protect the device from any static electricity present in your body.

Recommendations

- Intended for desktop PCs.
- FireCuda 520 SSD's heatsink is pre-installed and should not be removed as it can damage the SSD.
- With the heatsink, the product exceeds standard M.2 dimensions. Dimensions of the FireCuda 520 Cyberpunk 2077 Limited Edition are 80.15mm (L) x 22.9mm (W) x 18.25mm (H). Verify that your system provides enough space for installation.
- M.2 connectors H3.2 and above are recommended for an SSD with a heatsink.
- For optimal performance, provide sufficient airflow and cooling.

Before installation

- ! **IMPORTANT** Make certain your computer's BIOS is up to date before installing FireCuda 520 SSD. See your computer or motherboard documentation for information on how to access the BIOS.

- Most motherboards have more than one M.2 slot available for SSD drives. Before installing FireCuda 520 SSD:
 - Determine the appropriate M.2 slot on your motherboard for FireCuda 520 SSD. If another SSD drive is already installed in the slot, you'll need to remove it during the installation.
 - Decide whether you want to install your computer operating system on FireCuda 520 SSD and use it as your primary drive. See your computer or motherboard documentation for details on how to boot from an M.2 SSD.
 - If you need to transfer files from another drive to FireCuda 520 SSD, consider how you will move your data or clone your drive before starting the installation.

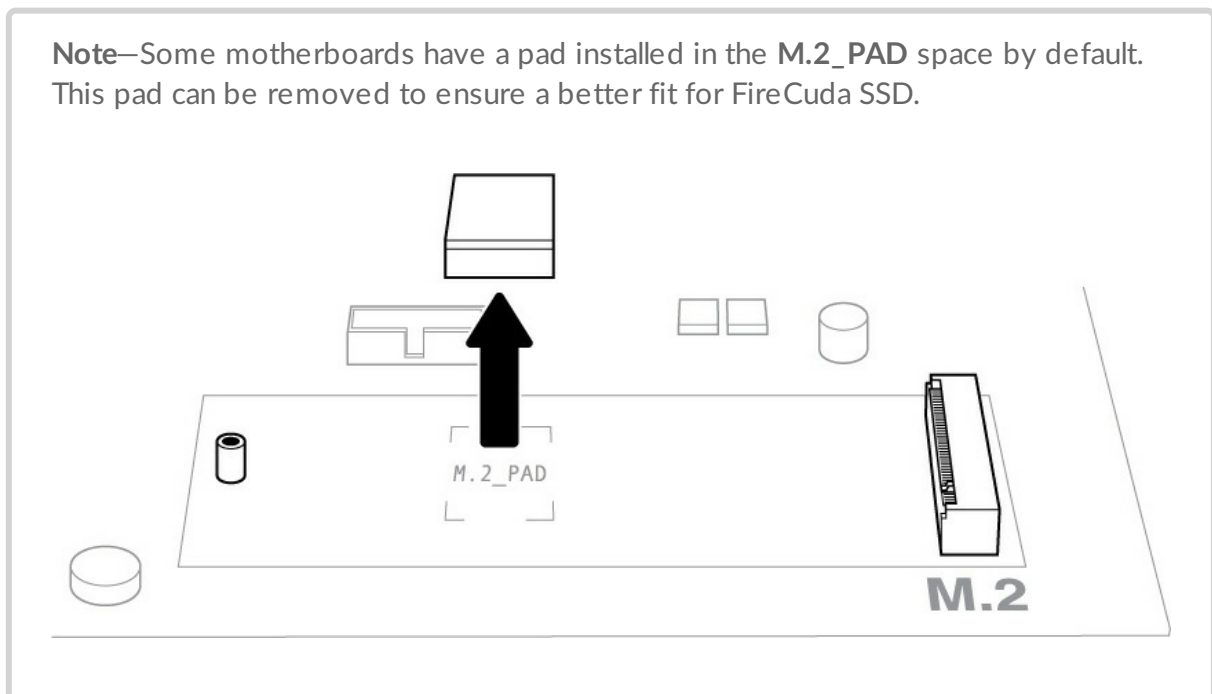
Required tools

Screwdriver and M.2 screws (not included) to fasten FireCuda 520 SSD.

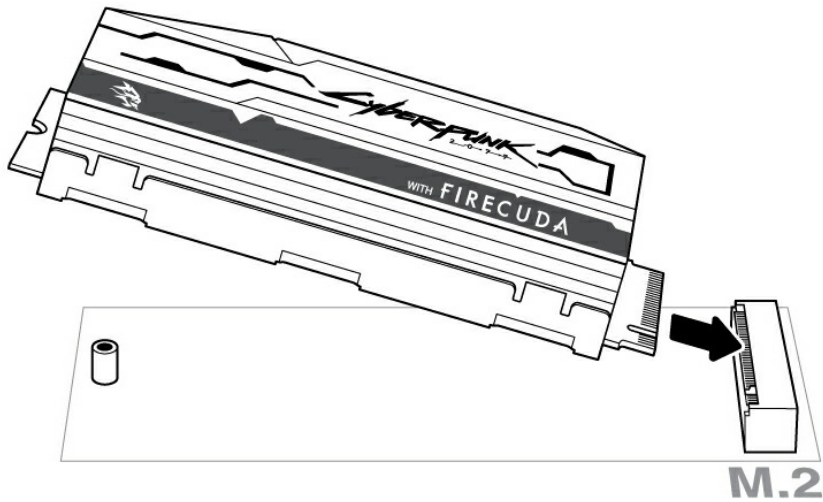
Installation

Install FireCuda 520 SSD

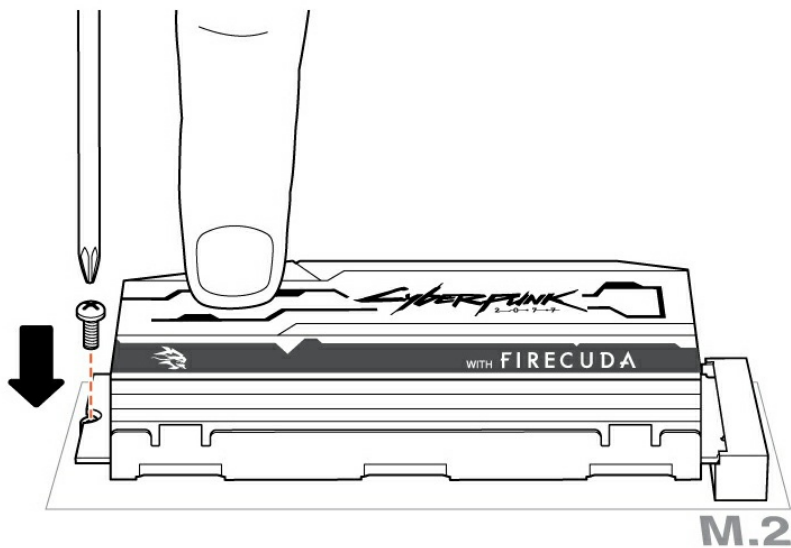
1. Before installing FireCuda 520 SSD, power down your computer and unplug any cables attached to it.
2. Open the case or cabinet.
3. If an existing SSD drive is installed in the M.2 PCIe slot you intend to use for FireCuda 520 SSD, you'll need to remove it.
4. Power on your computer.
5. Access the BIOS setup while the computer is booting. Ensure that a PCIe device is set in the BIOS boot sequence or boot priority list.
6. Power down the computer and locate the M.2 PCIe slot on your motherboard.



7. Check to make sure that the notch on FireCuda SSD is correctly aligned with the divider in the slot. Gently push FireCuda SSD into the slot until it's firmly seated.

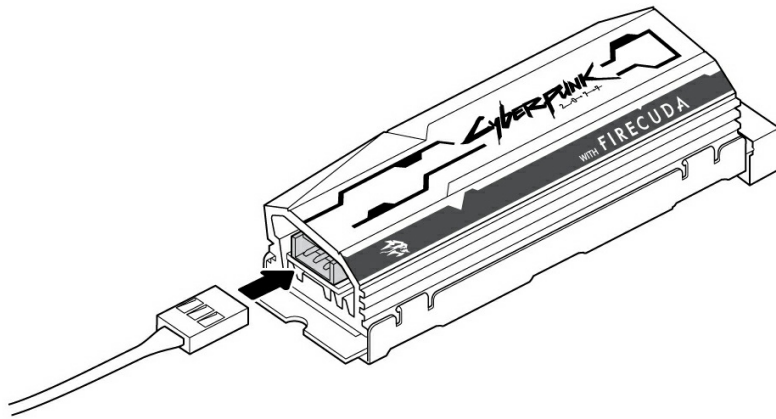


8. Hold down FireCuda SSD while you fasten the mounting screw. Make sure the SSD is secured in place.

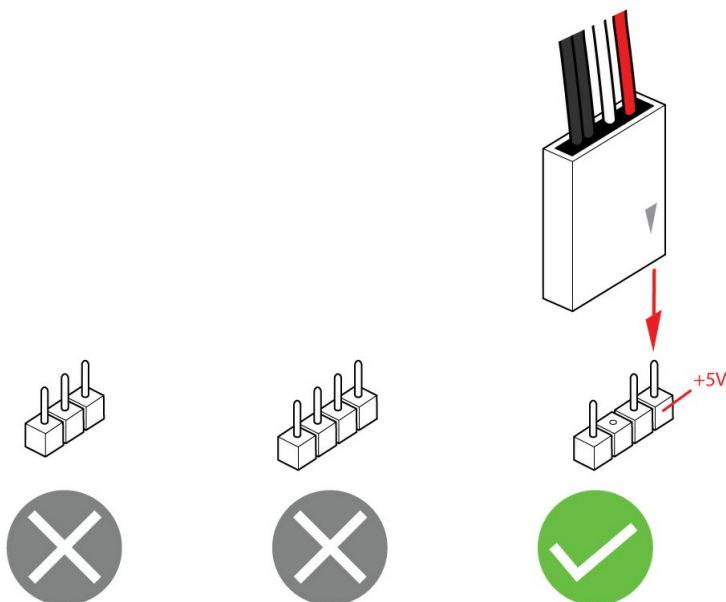
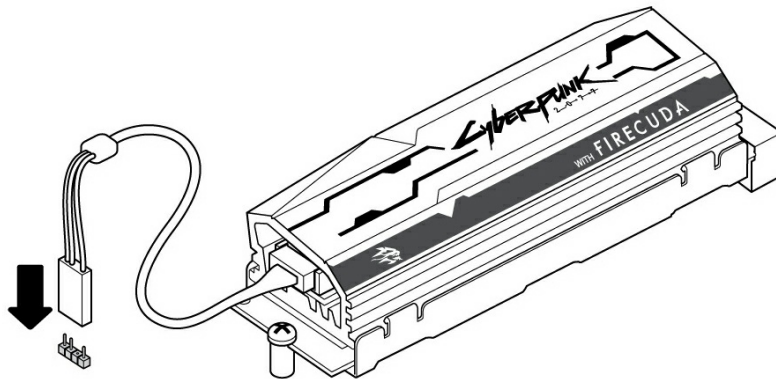



Optional RGB LED connection

1. Attach the 5V addressable RGB cable to the connector under the heatsink.



2. Connect the other end of the cable to the 5V addressable header on the motherboard. The power pin (marked with a triangle and identified by the red cable) must be connected to the 5V pin 1. Refer to your motherboard documentation for detailed instructions on how to connect RGB capable components to your motherboard. Incorrect connection can damage the RGB connector on the heatsink as well as the computer's LED function.



- 
9. Close the case or cabinet and reassemble your computer.
 10. Power on your computer.
 11. Install the computer operating system on FireCuda SSD if you want to use it as the primary drive.

RGB Color and Pattern Control

Refer to the manufacturer of your motherboard for details on the software used to control RGB colors and patterns

Support & Services

SeaTools

SeaTools™ SSD GUI is a free utility that lets you monitor and maintain your drive's health, status, and tests. Go to www.seagate.com/support/downloads/seatools.

DiscWizard

Seagate DiscWizard is an integrated software suite that lets you back up your operating system, applications, settings, and files, while also securely destroying confidential data you no longer need. Go to www.seagate.com/support/downloads/discwizard.

Firmware download and tools download for secure erase

Go to www.seagate.com/support/downloads.

Internal SSD support

Go to www.seagate.com/support/products.

Online support and services

Go to www.seagate.com/contacts.

Warranty support

Go to www.seagate.com/support/warranty-and-replacements.

Data recovery services

Go to www.seagate.com/services-software/seagate-recovery-services/recover.

Seagate Partner Program

Go to www.seagate.com/partners.

Regulatory Compliance

Product Name Seagate One Touch

Regulatory Model Numbers SRDOVN2, SRDOVN3

China RoHS



China RoHS 2 refers to the Ministry of Industry and Information Technology Order No. 32, effective July 1, 2016, titled Management Methods for the Restriction of the Use of Hazardous Substances in Electrical and Electronic Products. To comply with China RoHS 2, we determined this product's Environmental Protection Use Period (EPUP) to be 20 years in accordance with the Marking for the Restricted Use of Hazardous Substances in Electronic and Electrical Products, SJT 11364-2014.

中国 RoHS 2 是指 2016 年 7 月 1 日起施行的工业和信息化部令第 32 号“电力电子产品限制使用有害物质管理办法”。为了符合中国 RoHS 2 的要求，我们根据“电子电气产品有害物质限制使用标识”(SJT 11364-2014) 确定本产品的环保使用期 (EPUP) 为 20 年。

部件名称 Part Name	有害物质 Hazardous Substances					
	铅 (Pb)	汞 (Hg)	镉 (Cd)	六价铬 (Cr ⁶⁺)	多溴联苯 (PBB)	多溴二苯醚 (PBDE)
硬盘驱动器 HDD	X	O	O	O	O	O
外接硬盘印刷电路板 Bridge PCBA	X	O	O	O	O	O
电源(如果提供) Power Supply (if provided)	X	O	O	O	O	O
接口电缆(如果提供) Interface cable (if provided)	X	O	O	O	O	O
其他外壳组件 Other enclosure components	O	O	O	O	O	O

本表格依据 SJ/T 11364 的规定编制。
This table is prepared in accordance with the provisions of SJ/T 11364-2014

O: 表示该有害物质在该部件所有均质材料中的含量均在 GB/T 26572 规定的限量要求以下。
O: Indicates that the hazardous substance contained in all of the homogeneous materials for this part is below the limit requirement of GB/T26572.

X: 表示该有害物质至少在该部件的某一均质材料中的含量超出 GB/T 26572 规定的限量要求。
X: Indicates that the hazardous substance contained in at least one of the homogeneous materials used for this part is above the limit requirement of GB/T26572.

Taiwan RoHS

Taiwan RoHS refers to the Taiwan Bureau of Standards, Metrology and Inspection's (BSMI's) requirements in standard CNS 15663, Guidance to reduction of the restricted chemical substances in electrical and electronic

equipment. Beginning on January 1, 2018, Seagate products must comply with the “Marking of presence” requirements in Section 5 of CNS 15663. This product is Taiwan RoHS compliant. The following table meets the Section 5 “Marking of presence” requirements.

台灣RoHS是指台灣標準局計量檢驗局(BSMI)對標準CNS15663要求的減排電子電氣設備限用化學物質指引。從2018年1月1日起, Seagate 產品必須符合CNS15663第5節「含有標示」要求。本產品符合台灣RoHS。下表符合第5節「含有標示」要求。

產品名稱:外接式硬碟,型號:SRDOVN2, SRDOVN3		Product Name: One Touch, Model: SRDOVN2, One Touch, Model: SRDOVN3					
單元 Unit		限用物質及其化學符號			Restricted Substance and its chemical symbol		
		鉛 (Pb)	汞 (Hg)	鎘 (Cd)	六價鉻 (Cr ⁺⁶)	多溴聯苯 (PBB)	多溴二苯醚 (PBDE)
硬盤驅動器	HDD	—	○	○	○	○	○
外接硬盤印刷電路板	Bridge PCBA	—	○	○	○	○	○
電源 (如果提供)	Power Supply (if provided)	—	○	○	○	○	○
傳輸線材 (如果提供)	Interface cable (if provided)	—	○	○	○	○	○
其他外殼組件	Other enclosure components	○	○	○	○	○	○
備考 1. “○” 係指該項限用物質之百分比含量未超出百分比含量基準值。 Note 1. “○” indicates that the percentage content of the restricted substance does not exceed the percentage of reference value of presence.							
備考 2. “—” 係指該項限用物質為排除項目。 Note 2. “—” indicates that the restricted substance corresponds to the exemption.							