



Lyve Mobile Mount User Manual

© 2020 Seagate Technology LLC. All rights reserved. Seagate, Seagate Technology, the Spiral logo, and LaCie logo are trademarks or registered trademarks of Seagate Technology LLC or one of its affiliated companies in the United States and/or other countries. Lyve is either a trademark or registered trademark of Seagate Technology LLC or one of its affiliated companies in the United States and/or other countries. When referring to drive capacity, one gigabyte, or GB, equals one billion bytes and one terabyte, or TB, equals one thousand billion bytes. Your computer's operating system may use a different standard of measurement and report a lower capacity. In addition, some of the listed capacity is used for formatting and other functions and will not be available for data storage. Quantitative usage examples for various applications are for illustrative purposes. Actual quantities will vary based on various factors, including file size, file format, features, and application software. The export or re-export of hardware or software containing encryption may be regulated by the U.S. Department of Commerce, Bureau of Industry and Security (for more information, visit www.bis.doc.gov) and controlled for import and use outside of the U.S. Actual data rates may vary depending on operating environment and other factors. Complying with all applicable copyright laws is the responsibility of the user. All coded instruction and program statements contained herein is, and remains copyrighted works and confidential proprietary information of Seagate Technology LLC or its affiliates. Any use, derivation, dissemination, reproduction, or any attempt to modify, reproduce, distribute, disclose copyrighted material of Seagate Technology LLC, for any reason, in any manner, medium, or form, in whole or in part, if not expressly authorized, is strictly prohibited. Seagate reserves the right to change, without notice, product offerings or specifications.

Seagate Technology LLC
47488 Kato Road
Fremont, CA 94538 U.S.A

Seagate Technology (Netherlands) B.V.
Koolhovenlaan 1



このドキュメントの最新オンライン版にアクセスするには
ここをクリックしてください。最新のコンテンツ、拡大可能な図解、分かりやすいナビゲーション、検索機能もあります。

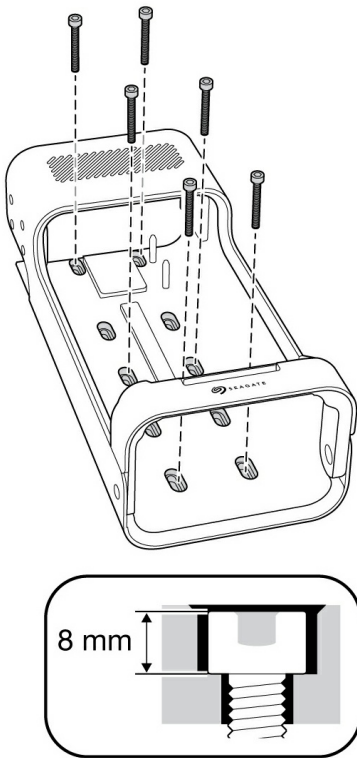
Seagate Singapore International Headquarters Pte. Ltd.
90 Woodlands Avenue 7
Singapore 737911

Contents

1	Install Lyve Mobile Mount	3
2	Connect Lyve Mobile Array	4
	Step 1 - Release handle	4
	Step 2 - Insert device	4
	Step 3 - Attach device	5
	Step 4 - Lock device in place	5

Install Lyve Mobile Mount

Before installing Lyve™ Mobile PCIe Adapter, ensure that Lyve Mobile Mount is securely fixed to the vehicle to avoid excessive motion.

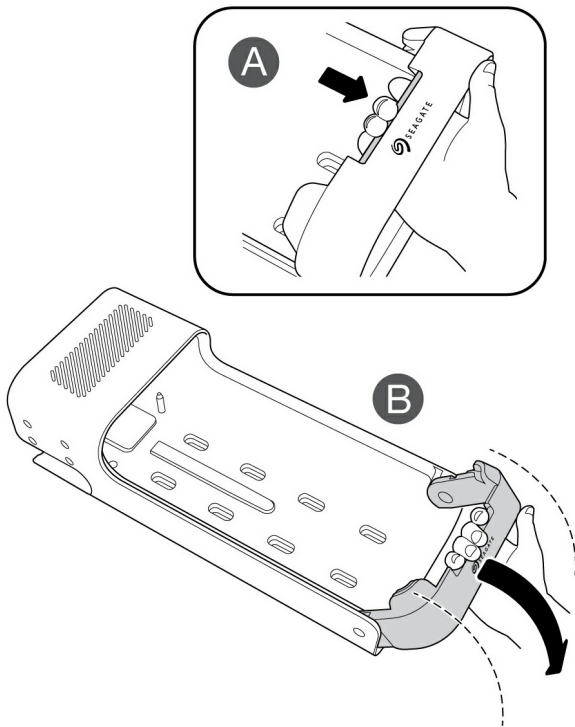


To avoid damaging Lyve Mobile Array's enclosure, the cylindrical socket cap on the mounting screws cannot exceed 8mm in height.

Connect Lyve Mobile Array

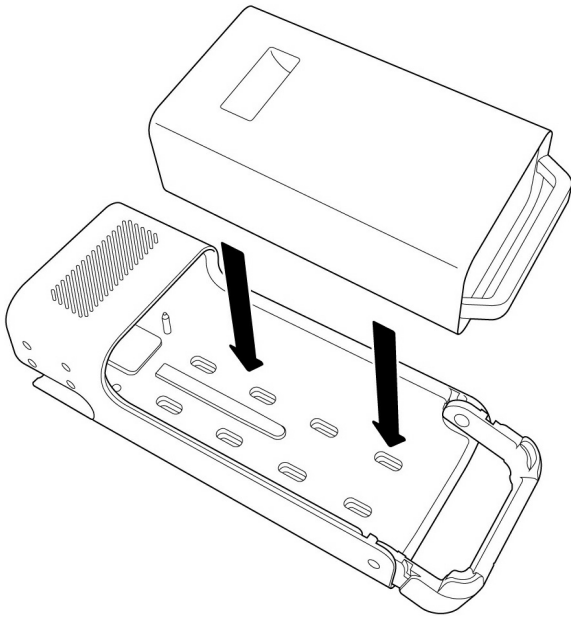
Step 1 - Release handle

Press the green release button and swing the handle down.



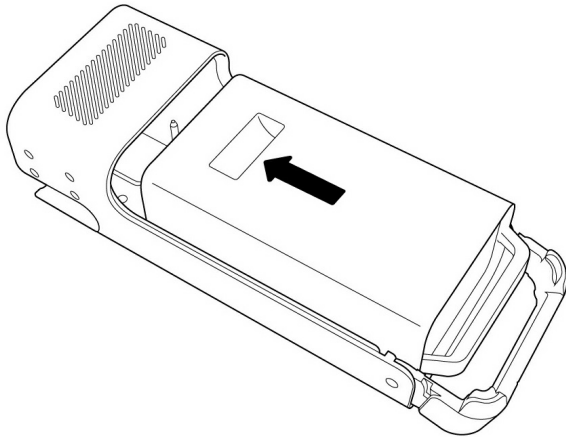
Step 2 - Insert device

Insert Lyve Mobile Array with ports facing the back of Lyve Mobile Mount.



Step 3 - Attach device

Slide Mobile Array toward the back of the mount.



Step 4 - Lock device in place

Swing the handle up until it locks in place.

