



Exos[®] 2U and 5U Rackmount Guide

Part Number 83-00007841-10-01, C • June 2022

Complete installation prerequisites

The rackmount rails are designed to bear the maximum weight of the storage enclosure when it is properly mounted in a standard rack cabinet. You can install multiple storage enclosures in a single rack cabinet.

CAUTION You must use only the supplied rail kit and related mounting hardware.

To complete installation prerequisites:

1. Prepare the host system for the installation by obtaining access to the following items:
 - a. A host computer with the correct firmware, BIOS, and drivers
 - b. A functioning host bus adapter installed in the host computer, or a switch connected to a host computer
 - c. Tested, good cables for host connection that meet storage enclosure requirements
 - d. The provided power cords, which meet power specifications
2. Familiarize yourself with system configuration requirements and the storage enclosure components.
3. Obtain the following:
 - a. An anti-static wrist or ankle strap for handling static-sensitive components
 - b. A static-protected environment for temporary storage of the storage enclosure and the FRUs
 - c. A Torx screwdriver, 6-in length, with T10 and T20 bits
 - d. A flat-bladed screwdriver, 6-in length
 - e. A Philips screwdriver, 6-in length
 - f. A mechanical lift with sufficient clearance and capable of safely lifting the storage enclosure without drive modules
4. Ensure the rack cabinet is suitable for use with the storage enclosure.
 - a. A rack cabinet capable of holding 2U or 5U form factors that meets all UL and IEC safety requirements, leveled in all planes with respect to each other
 - b. Adequate clearance in front of the rack cabinet to install the provided rail kit
 - c. A maximum depth of 884mm (34.81 inches) from back of front post to maximum extremity, excluding cabling and door closure considerations
 - d. A rack cabinet that causes a maximum back air pressure of 5 pascals (0.5mm water gauge)
 - e. A rack cabinet constructed to meet the installed weight capacity for the total number of storage enclosures in the rack cabinet, based on the related maximum weight per storage enclosure

2U12	2U24	5U84
A maximum of 32kg (71 lb)	A maximum of 30kg (60 lb)	A maximum of 130kg (287 lb)
 - f. A maximum operating ambient temperature of 35° C (95° F)



83-00007841-10-01 rC

5. Secure sufficient staff to assist with the installation. Minimum staff:
 - a. One qualified service technician for the complete installation procedure
 - b. One spotter to assist with the lift and to assist with the installation from the rear of the rack cabinet
 - c. A total of two people (2U) or three people (5U) to unpack the storage enclosure and move it onto the mechanical lift

Installation of 2U enclosures

Sequentially follow the installation checklist in the *Getting Started* sheet to install your 2U storage enclosure.

Unpack and prepare the 2U enclosure

CAUTION Do not operate a storage enclosure outside the manufacturer's intended use.

- Storage enclosures are suitable for connection to intra-building or non-exposed wiring or cabling only.
 - Storage enclosures are suitable for installation in locations where the National Electrical Code (NEC) applies but are not suitable for Outside Plant (OSP) installations.
 - Customer facilities must provide for voltages with not more than ± 5 percent fluctuation. Customer facilities must also provide suitable surge protection.
-

To unpack and prepare the 2U enclosure:

1. Prepare the site for the storage enclosure installation. This includes meeting all product specifications and providing a clean, clear, static-protected environment prior to unpacking the storage enclosure.
2. Complete the following actions to complete inspection of the 2U enclosure:
 - a. Examine packaging for damage. This includes cuts, water damage, or evidence of mishandling during shipment.
 - b. If there is damage, photograph and document it, but do not proceed. Retain original packaging for returns.
 - c. Cut open the package lid to remove all protective foam above the storage enclosure and access the chassis.
3. Slide the plastic bag aside to allow access to the chassis.

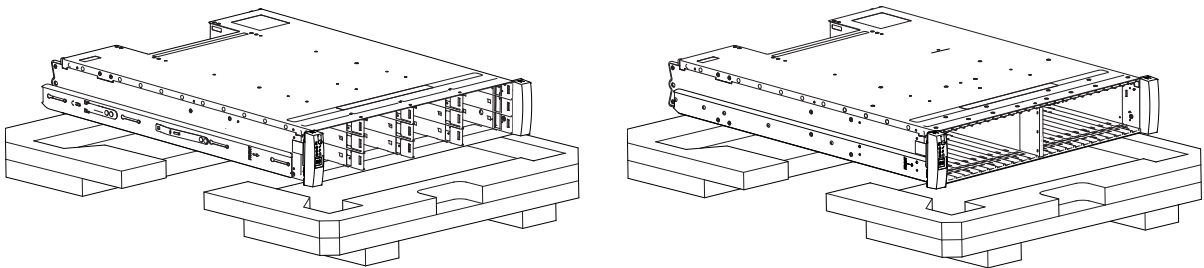


Figure 1 2U12 and 2U24 storage enclosure packaging

4. Locate two people to assist in moving the storage enclosure onto the mechanical lift, using an appropriate safe lifting technique to perform the following actions:
 - a. Position a person on each side of the storage enclosure, grasping the chassis sides, not the front or rear panel.


IMPORTANT Almost all the weight of the storage enclosure is to the rear, so prepare to lift more from the side of the chassis to the rear than the chassis side to the front.

- b. Simultaneously lift the storage enclosure, using appropriate safe lifting technique while moving it to a static-protected location, and then to the mechanical lift for mounting to the rack cabinet.
5. Complete the following actions to prepare the 2U chassis for installation:
- a. If drives are present in the chassis, grasp the latch of the first drive in its carrier (DDIC) between thumb and forefinger and squeeze together to release the latch, then pivot outward to release the DDIC from the midplane.
 - b. Temporarily remove and store each DDIC in a static-protected environment.
 - c. Facing the chassis front, grasp the right rack flange cover, work the cover free, and set it aside in a safe location.
 - d. Grasp the left rack flange cover, gently work the cover free, and set it aside in a safe location.

Install the 2U rackmount rail kit

The storage enclosure requires rackmount hardware for installation into a standard 1.2m rack and occupies two (2) EIA units of rack space (8.89 cm or 3.50 inches) per unit. The rail kit contains a left and right rail designed to handle the 2U storage enclosure and provide for installation of multiple enclosures without loss of rack space. Product function and user safety hinge on proper installation. This task assumes square mounting holes but pertains to other rack types.

You must take all appropriate rack cabinet safety precautions before mounting a storage enclosure into a rack.

 **CAUTION** Observe all the following directives:

- Always place the rack cabinet on a flat, leveled surface. Do not install a storage enclosure into a rack cabinet until you verify the rack cabinet is level.
- Follow prescribed leveling procedures from the rack cabinet manufacturer.
- Never install or remove from the rack cabinet more than one storage enclosure at a time. This helps prevent the rack cabinet from tipping or falling.
- Verify the rack cabinet meets all safety requirements when configured with storage enclosures.
- Verify connections comply with all electrical requirements.
- Verify the system complies with all temperature and exhaust requirements.

To adhere to safety precautions when mounting a storage enclosure into a rack cabinet:

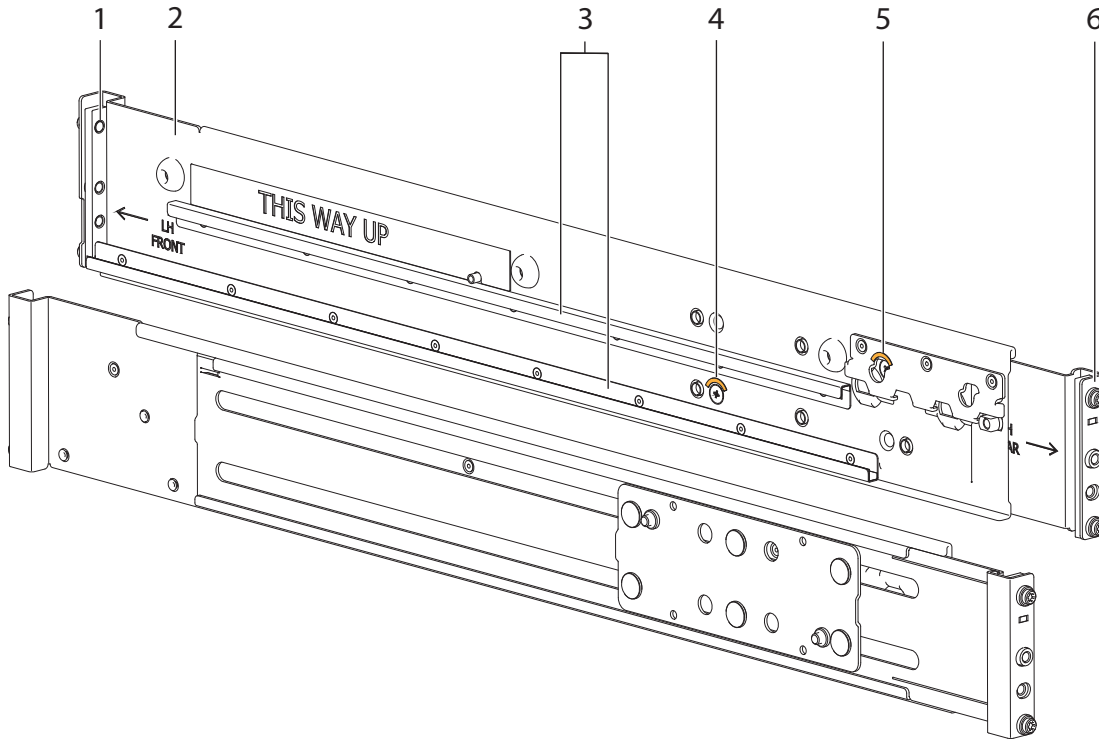
1. Read and observe all warning and caution labels on the storage enclosure.
2. Verify the rack cabinet is on a flat, leveled surface because any incline or unevenness stresses the rack cabinet and storage enclosure. A storage enclosure in an uneven rack cabinet resists smooth rail movement and may distort the chassis.
3. Verify the rack cabinet design supports the total weight of storage enclosures and has stabilizing features to prevent the rack cabinet from tipping or being pushed over during installation or normal use.
4. Do not lift the storage enclosure without a mechanical lift. No single person should lift a storage enclosure without help.
5. Mount storage enclosures into the rack cabinet from the bottom to the top during installation.
6. Locate lighter storage enclosures above heavier ones to maximize stability.
7. Remove storage enclosures from the top of the rack cabinet to the bottom when emptying it.

Required equipment	Qty	Identification
Outer rails, properly oriented	2	N/A
#2 Phillips-head screwdriver, 6-in length	1	N/A

Required equipment	Qty	Identification
(Optional) 8mm nut driver, 6-in length	1	N/A
Phillips-head screw, M5 x 15, 8mm hex flange	8	

To install the 2U rackmount rail kit:

1. Remove both outer rail assemblies from their packaging.



Item	Description	Item	Description
1	Left front mount bracket	4	Set screw, front
2	Left front outer rail	5	Set screw, rear
3	Left rail slides	6	Left rear mount bracket

Figure 2 2U enclosure outer rail components

2. Orient the outer rail with the LH FRONT embossed on it to your left, the other with the RH FRONT embossed on it to your right, and each emboss toward you, facing inward.
3. Loosen, but do not remove, the two (2) set screws on each outer rail with a Philips screwdriver.
4. Facing the left side of the rack cabinet, slide the left front mount bracket pins into holes in the front rack post.
5. Bias the left rack mount bracket as far inward as possible, then verify the entirety of the lower rail tab is visible just beyond the inner edge of the front rack mount bracket.

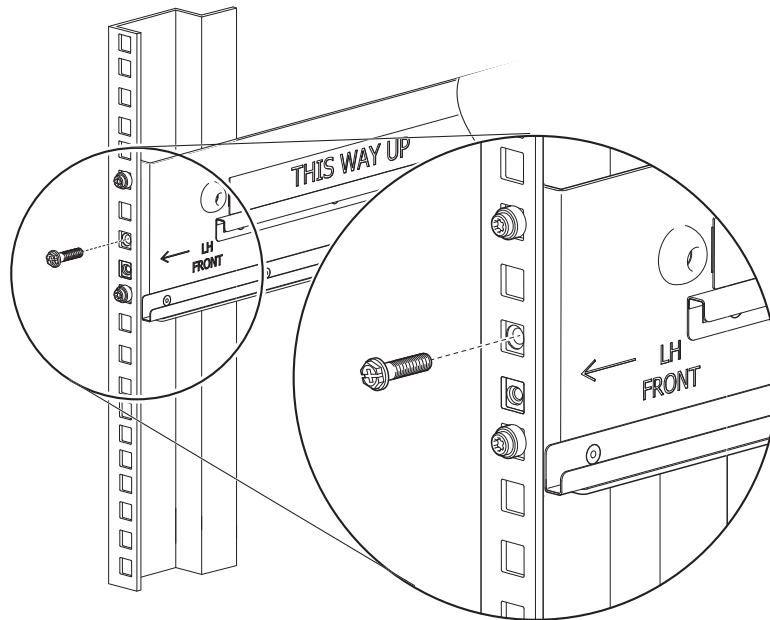


Figure 3 Attachment of front mount bracket to front rack cabinet posts

6. Hold the biased mount bracket in that position and barely tighten against the front rack post using an 8mm nut driver or a Philips screwdriver.
7. Extend the length of the rail until fully mating the rear mount bracket pins in the mirror location on the rear rack post.

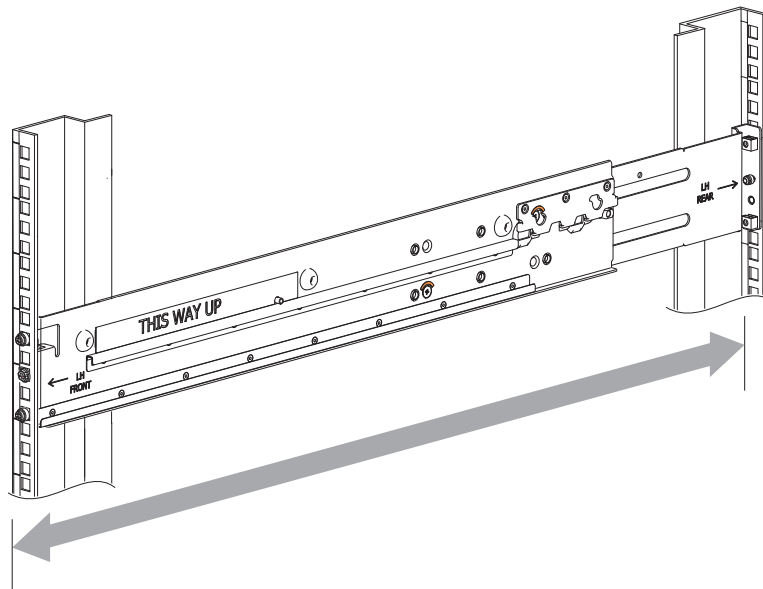


Figure 4 Adjustment of rail length to fit rack cabinet

8. Verify that the rails are level at the same height on both rack posts, and that all mount bracket location pins fully seat in identical locations in the rack posts.
9. Facing the rear of the rack cabinet, insert a Phillips-head M5 x 15 screw into the center hole of the rear mount bracket.

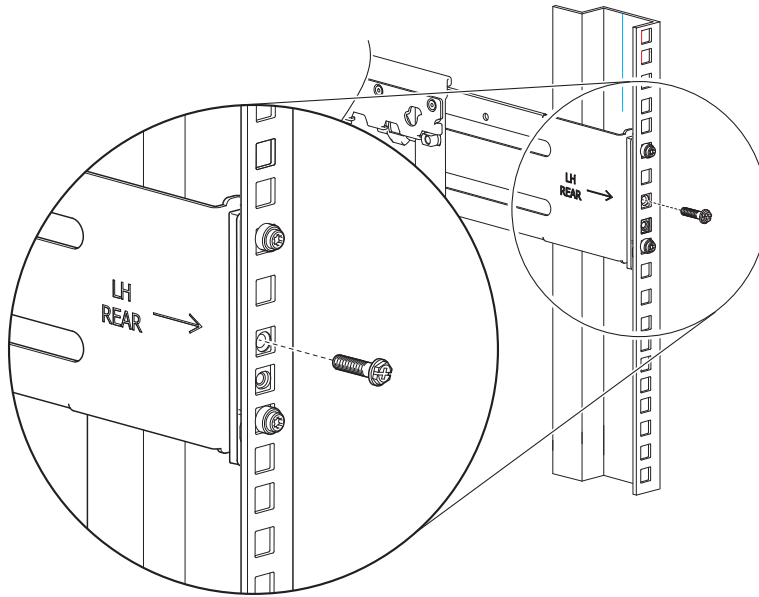


Figure 5 Attachment of rear mount bracket to rear rack cabinet posts

10. Hand tighten firmly against the rack post using an 8mm nut driver or a Phillips screwdriver.
11. Facing the front of the rack cabinet, hand tighten the Phillips-head M5 x 15 screw using an 8mm nut driver or a Phillips screwdriver so that the hex head flange is flush with the front rack post.
12. Fix the adjusted length of the left outer rail by hand tightening both rail slide set screws using a Phillips screwdriver.
13. Repeat the process for the right outer rail.


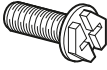
Mount the 2U enclosure into the rack cabinet

⚠ WARNING! Serious injury and mechanical failure can result if you do not adhere to rack cabinet safety precautions.

- To avoid risk of death or injury from tipping the rack, follow all rack installation guidelines, securing the rack cabinet to the floor with a concrete anchor kit.
 - To avoid catastrophic failure of the rack assembly, never exceed rack cabinet weight limits.
 - Entirely support the storage enclosure with the mechanical lift until the storage enclosure is in the storage position.
 - Follow local occupational health and safety guidelines and meet all requirements for manual material handling.
-

Mounting the storage enclosure into the rack cabinet is the most critical of installation procedures and requires your full attention. Safety and hardware longevity depend on the rail's smooth function and correct implementation of this task.

- Make sure there is sufficient clearance for a technician and the storage enclosure in front of the rack cabinet.
- Observe rack cabinet weight limits.
- Fill the rack cabinet from the bottom to the top, with the heaviest equipment at the bottom.
- Make your approach with the mechanical lift level, straight, and parallel to the rack cabinet. Any skew, warp, or tilt prevents the inner rails attached to the storage enclosure from properly engaging the outer rails in the rack cabinet.

Required equipment	Qty	Identification
Mechanical lift	1	N/A
Storage enclosure with attached inner rails	1	N/A
Rack cabinet with installed outer rails	1	N/A
#2 Phillips-head screwdriver, 6-in length	1	N/A
Panhead screw, M5 x 8, #2	2	
Phillips-head screw, M5 x 15, 8mm hex flange	2	

To mount the 2U enclosure into the rack cabinet:

1. Confirm that the outer rails are properly and securely installed in the rack cabinet.
2. Complete the following actions to position the mechanical lift and the 2U chassis:
 - a. Using proper safety precautions, position the 2U chassis on the mechanical lift perpendicular to the lift wheels.
 - b. Move the mechanical lift into position perpendicular to the rack cabinet so that the 2U chassis is parallel to the opening and is a minimum of 5 to 7 inches (12.7cm to 17.78cm) away from the rack cabinet.
 - c. Adjust the mechanical lift height to be as close as possible to the allocated 2U location.
 - d. Moving only the 2U chassis, position it so the attached inner rails align with the outer rails in the rack.

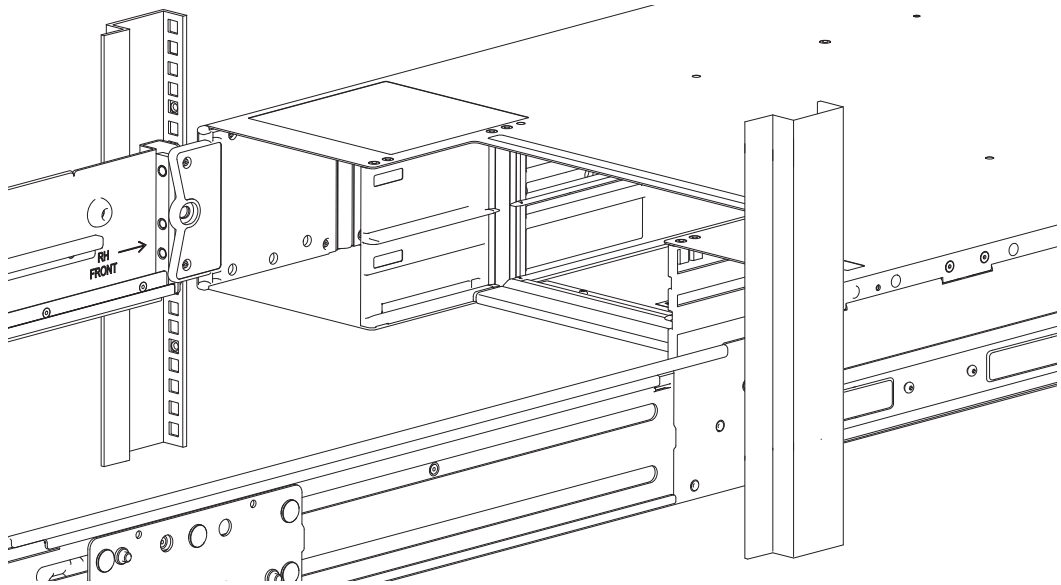


Figure 6 Alignment between 2U chassis and rails (removed rear components for clarity)

3. Complete the following actions to properly secure the 2U chassis on the outer rails:
 - a. Keep the 2U chassis stationary on the lift.
 - b. Verify that both outer rails fully engage the 2U chassis inner rails.
 - c. Guide the chassis inward with the leading edge of each inner rail inside the top and bottom lip of the outer rail.
 - d. Conduct a visual inspection of both sides to verify both inner rails are an equal distance along the outer rail and that the direction is straight in, not at an angle.

4. Complete the following actions to insert the 2U chassis into the rack cabinet:
 - a. Facing the front of the enclosure, carefully exert even pressure on both sides of the storage enclosure front, inserting the storage enclosure until the rack ear flanges are flush with the front rack posts.
 - b. Carefully lower the mechanical lift.
 - c. Thoroughly examine the rack rails for issues such as bowing, scraping, resistance, or indicators of misalignment.
5. Complete the following actions to secure the 2U chassis:
 - a. Facing the rear of the enclosure, insert and tighten a Panhead M5 x 8 screw into the tail of each outer rail and through the 2U chassis to secure the rear of the chassis.

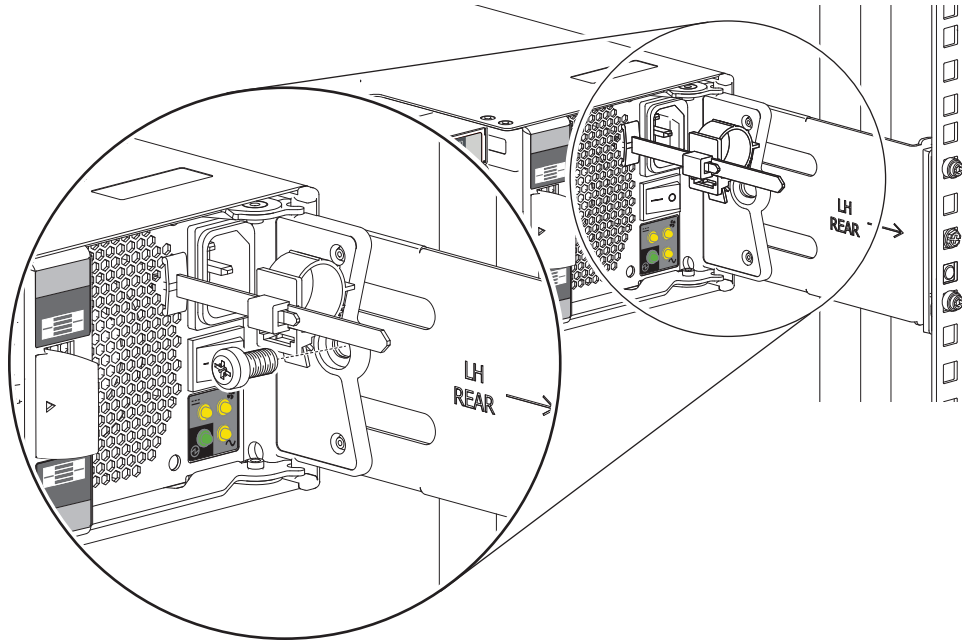


Figure 7 Installation of 2U rear screw near sample 580W fan cooling module

- b. Facing the front of the 2U chassis, insert a Phillips-head screws with the hex head flanges into the operator's (ops) panel with an 8mm nut driver or a Philips screwdriver.

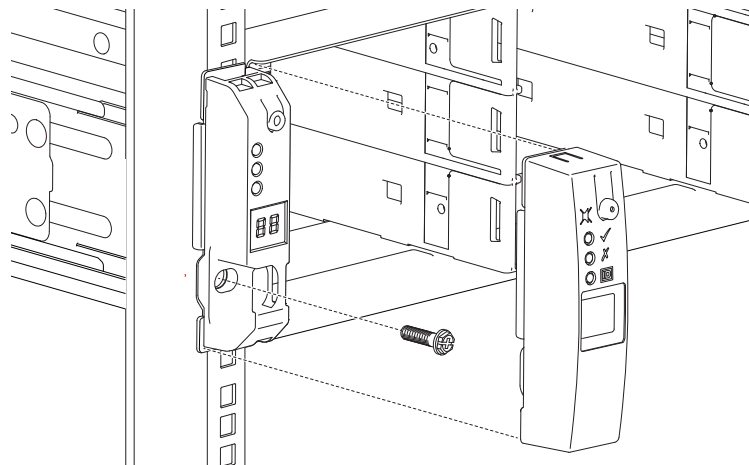


Figure 8 Installation of 2U operating panel screw and cover


- c. Hand tighten firmly against front rack post at the center of the rack ear flange.
- d. Slide the ops panel cover over the left rack ear flange until flush with the rack post.
- e. Repeat the process for the right rack ear flange and cover.

Populate the 2U enclosure

After successfully mounting the 2U chassis into the rack cabinet, populate the storage enclosure.

To populate the 2U enclosure:

1. Examine drive carriers for damage. If you installed a new drive in the carrier, verify drive connector pins are not bent.
2. Orient a drive in its carrier (DDIC) so the release latch is to the left for the 2U12 or to the top for the 2U24.
3. Insert it into the first available left-hand slot and press inward until fully seated against the midplane and the latch locks.
4. For the 2U12 storage enclosure, take the following actions until all slots hold either a DDIC or an optional blank carrier.
 - a. Insert the next DDIC and move across the row to the next slot in the sequence, repeating until the top row is full.
 - b. Repeat until the middle row is full.
 - c. Repeat until the bottom row is full.
5. For the 2U24 storage enclosure, insert the next DDIC and move across the row to the next slot in the sequence, repeating until all slots hold either a DDIC or an optional blank carrier.

 **CAUTION** If you partially populate the storage enclosure with drives in their carriers (DDICs), you must install a minimum of one DDIC. For proper air flow, all drive slots must hold either a DDIC or an optional blank carrier. You may not leave any empty slots.

Follow the remainder of the installation checklist sequence on the *Getting Started* sheet using the Hardware Installation and Maintenance Guide.

Installation of 5U enclosures

Sequentially follow the installation checklist in the *Getting Started* sheet to install your 5U storage enclosure.

Unpack and prepare the 5U enclosure

 **CAUTION** Do not operate a storage enclosure outside the manufacturer's intended use.

- Storage enclosures are suitable for connection to intra-building or non-exposed wiring or cabling only.
 - Storage enclosures are suitable for installation in locations where the National Electrical Code (NEC) applies but are not suitable for Outside Plant (OSP) installations.
 - Customer facilities must provide for voltages with not more than ± 5 percent fluctuation. Customer facilities must also provide suitable surge protection.
-

To unpack and prepare the 5U enclosure:

1. Prepare the site for the storage enclosure installation. This includes meeting all product specifications and providing a clean, clear, static-protected environment prior to unpacking the storage enclosure.
2. Complete the following actions to complete inspection of the 5U enclosure:

- a. Examine packaging for damage. This includes cuts, water damage, or evidence of mishandling during shipment.
 - b. If there is damage, photograph and document it, but do not proceed. Retain all original packaging for returns.
 - c. Remove pallet strapping and all protective foam above the storage enclosure to access it.
3. Slide the plastic bag aside to allow access to the chassis.

! WARNING! The box is deep, and the chassis is very heavy. Do not attempt to lift by yourself.

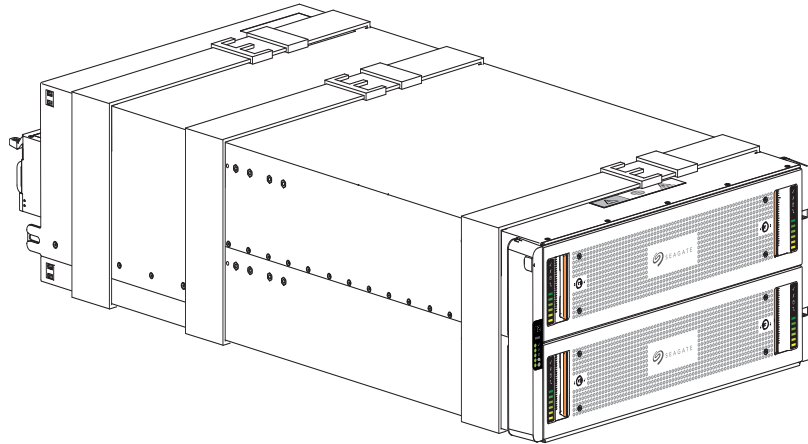



Figure 9 Default belt straps already around the 5U storage enclosure

4. Locate three people to assist in moving the storage enclosure onto the mechanical lift, using an appropriate safe lifting technique to perform the following actions:
 - a. Position one person at the front to grip the front belt strap securely by both loops, not by any portion of the front or rear panel areas.
 - b. Position one person at each rear corner to grip both rear belt straps by the loops on that side.
 - c. Simultaneously lift the storage enclosure, using appropriate safe lifting technique while moving it to a static-protected location, and then to the mechanical lift for mounting to the rack cabinet.
5. Facing the front of the chassis, grasp the right rack flange cover, gently work the cover free, and set it aside in a safe location.
6. Grasp the left rack flange cover, gently work the cover free, and set it aside in a safe location.

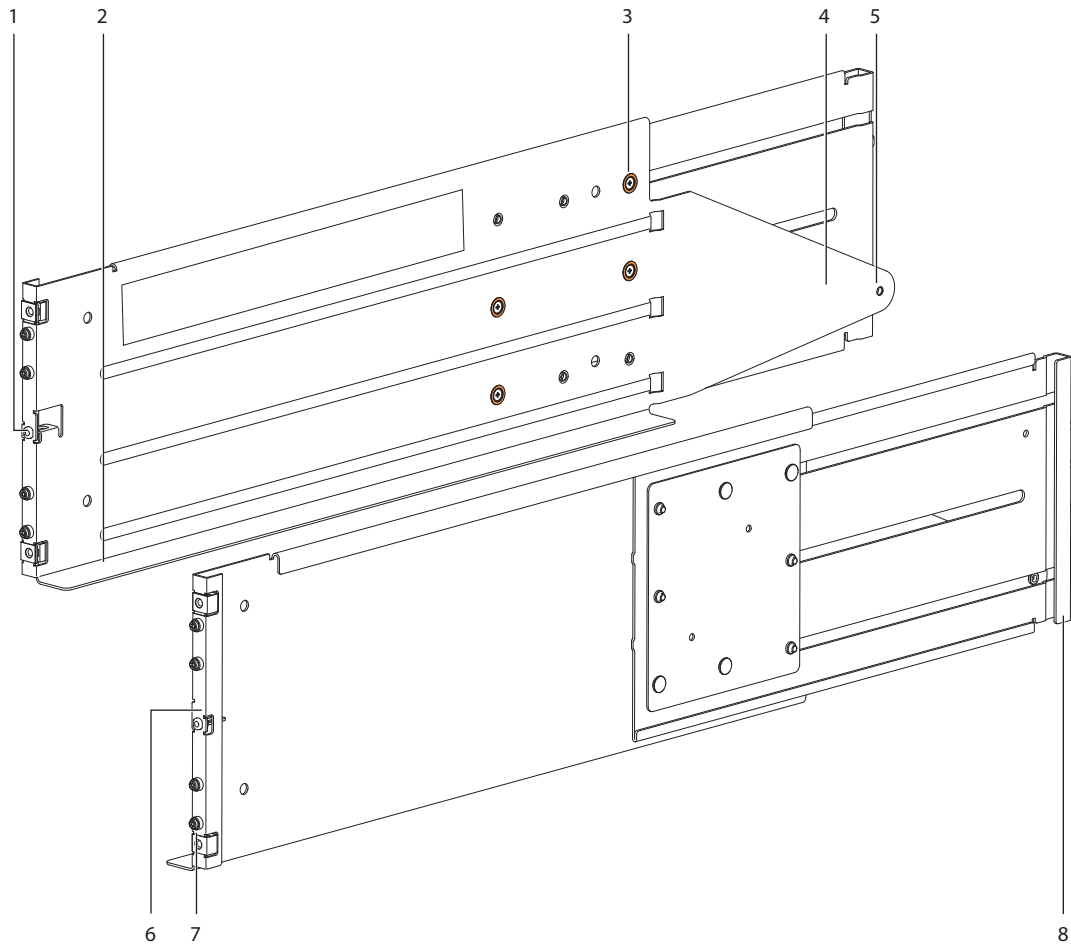
Install the 5U rackmount rail kit

The storage enclosure requires rackmount hardware for installation into a standard 1.0m or 1.2m rack and occupies five (5) EIA units of rack space (22.22 cm or 8.75 inches) per unit. The rail kit contains a left and right rail designed and tested to handle the 5U storage enclosure and provide for installation of multiple enclosures without loss of rack space. Product function and user safety hinge on their proper installation. The following task assumes your rack posts have square mounting holes.

Required equipment	Qty	Identification
Outer rails, properly oriented	2	N/A
#2 Phillips-head screwdriver, 6-in length	1	N/A
(Optional) 8mm nut driver, 6-in length	1	N/A
Phillips-head screw, M5 x 15, 8mm hex flange	8	

To install the 5U rackmount rail kit:

1. Remove both rail assemblies from their packaging.
2. Orient the rail with the LH FRONT embossed on it to your left, the other with the RH FRONT embossed on it to your right, and each emboss toward you, facing inward.



Item	Description	Item	Description
1	Left front mount bracket	5	Rear mount
2	Left rail shelf	6	Right front mount bracket
3	Rail slide set screw	7	Rack pin
4	Left rear tail	8	Right rear mount bracket

Figure 10 5U left and right rail components

3. Loosen, but do not remove, all four (4) rail slide set screws on each rail with a Philips screwdriver.
4. Select the left rail, then face the left side of the rack cabinet and slide the front mount bracket pins into the desired slots in the front rack post.
5. Insert a Phillips-head M5 x 15 screw through the rack post into the center of the front rack mount bracket and barely tighten against the front rack post, using an 8mm nut driver or a Philips screwdriver.

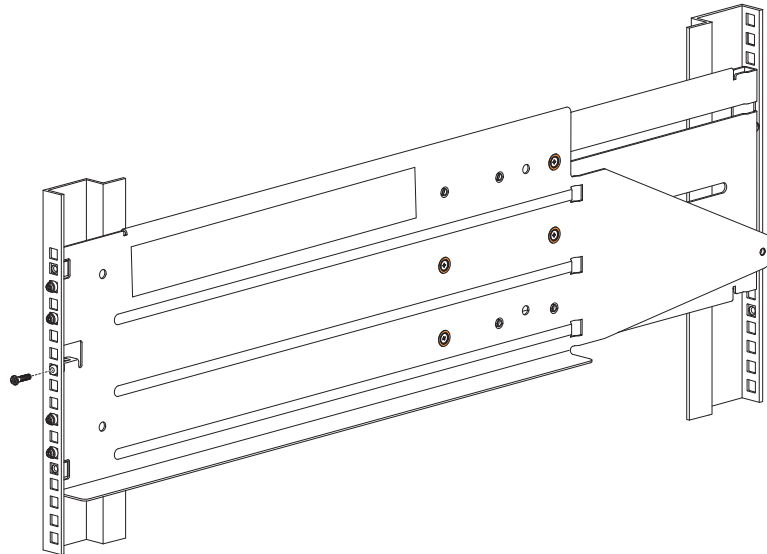


Figure 11 Insertion of 5U front mount bracket screw

6. Extend the length of the rail until the rear mount bracket pins in the mirror location on the rear rack post.
7. Verify that the rails are level at the same height on both rack posts, and that all location pins fully seat in the rack posts.
8. Facing the rear of the rack cabinet, insert two (2) Phillips-head M5 x 15 screws into the top and bottom holes of the rear mount bracket.

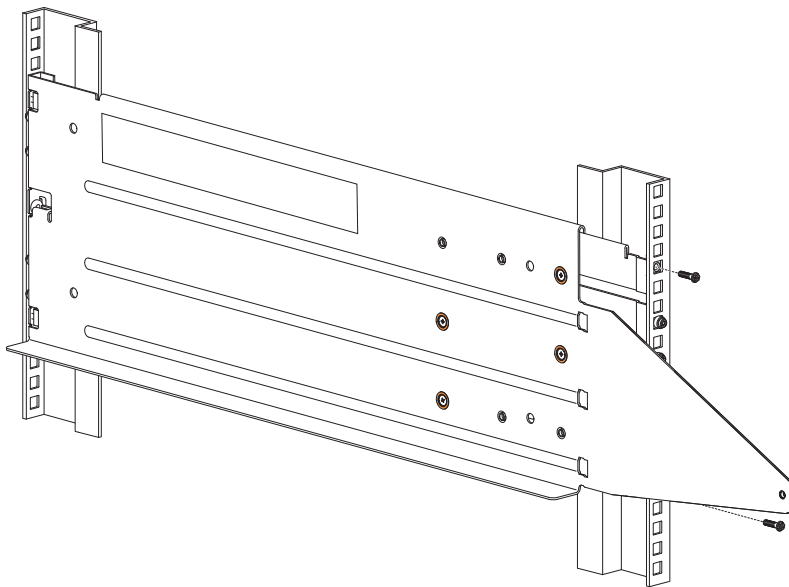


Figure 12 Insertion of 5U rear mount bracket screws

9. Hand tighten firmly against the rack post using an 8mm nut driver or a Phillips screwdriver.
10. Facing the front of the rack cabinet, hand tighten both of the Phillips-head M5 x 15 screws using an 8mm nut driver or a Phillips screwdriver so that the hex head flanges are flush with the front rack post.
11. Fix the adjusted length of the left rail by hand tightening all four (4) rail slide set screws using a Phillips screwdriver.
12. Repeat the process for the right rail.


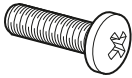


Mount the 5U enclosure into the rack cabinet

⚠ WARNING! Serious injury and mechanical failure can result if you do not adhere to rack cabinet safety precautions.

- To avoid risk of death or injury from tipping the rack, follow all rack installation guidelines, securing the rack cabinet to the floor with a concrete anchor kit.
- To avoid catastrophic failure of the rack assembly, never exceed rack cabinet weight limits.
- Entirely support the storage enclosure with the mechanical lift until the storage enclosure is in the storage position.
- Follow local occupational health and safety guidelines and meet all requirements for manual material handling.

Mounting the storage enclosure into the rack cabinet is the most critical of the installation procedures and requires your full attention. Safety and hardware longevity depend on rails' smooth function and correct implementation of this task.

- Make sure there is sufficient clearance for a technician and the storage enclosure when a drawer is fully extended.
- Observe rack cabinet weight limits.
- Fill the rack cabinet from the bottom to the top, with the heaviest equipment at the bottom.
- Make your approach with the mechanical lift level, straight, and parallel to the rack cabinet. Any skew, warp, or tilt prevents the storage enclosure from properly resting on the rackmount shelf in the rack cabinet.

Required equipment	Qty	Identification
Mechanical lift	1	N/A
Storage enclosure with attached inner rails	1	N/A
Rack cabinet with installed outer rails	1	N/A
#2 Phillips-head screwdriver, 6-in length	1	N/A
(Optional) 8mm nut driver, 6-in length	1	N/A
Panhead screw, M5 x 8, #2	4	
Panhead screw, 10-32 X 3/4"	6	
Lock washer, M5, Type B	6	
Washer, M5, 10 x 1.6mm	6	

To mount the 5U enclosure into the rack cabinet:

1. Confirm that the outer rails are properly and securely installed in the rack cabinet.
2. Confirm that the storage enclosure does not contain any drives, so the chassis has empty drawers.
3. Complete the following actions to position the mechanical lift and the 5U chassis:
 - a. Using proper safety precautions, position the 5U chassis on the mechanical lift perpendicular to the lift wheels.
 - b. Move the mechanical lift into position perpendicular to the rack cabinet so that the storage enclosure is parallel to the opening and is a minimum of 5 to 7 inches (12.7cm to 17.78cm) away from the rack cabinet.
 - c. Adjust the mechanical lift height to be as close as possible to the allocated 5U location.
 - d. Moving only the 5U chassis, position it so the chassis aligns with the outer rails in the rack.

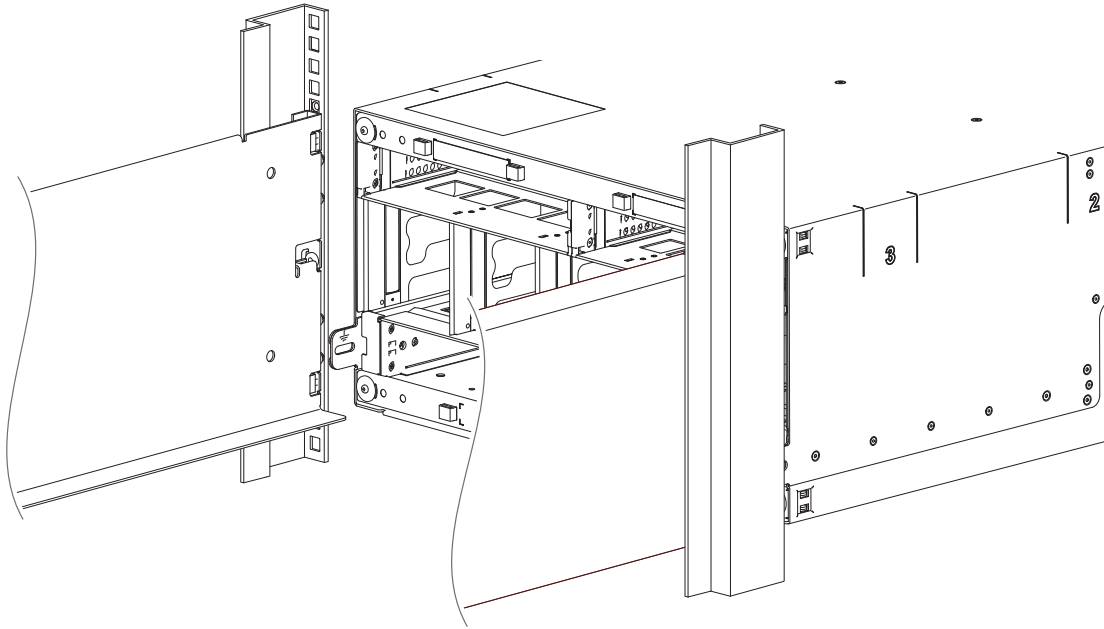


Figure 13 Alignment between 5U chassis and rails, minus rear components for clarity

4. Complete the following actions to properly secure the 5U chassis on its rails:
 - a. Keep the 5U chassis stationary on the mechanical lift.
 - b. Conduct a visual inspection of both sides to verify the bottom of the storage enclosure chassis rests squarely on the front of the bottom shelf of the outer rail and that the direction is straight in, not at an angle.
5. Complete the following actions to insert the 5U chassis into the rack cabinet:
 - a. Facing the front of the enclosure, carefully exert even pressure on both sides of the storage enclosure front, inserting the storage enclosure until the rack ear flanges are flush with the front rack posts.
 - b. Carefully lower the mechanical lift.
 - c. Thoroughly examine the rack rails for issues such as bowing, scraping, resistance, or indicators of misalignment.
6. Complete the following actions to secure the 5U chassis:
 - a. Thread a lock washer and then a washer onto each of two (2) Panhead 10-32 screws.
 - b. Facing the front of the enclosure, insert a Panhead 10-32 screw with washers into the top and bottom holes in the operator's (ops) panel, then hand tighten firmly against front rack post with a Phillips screwdriver.

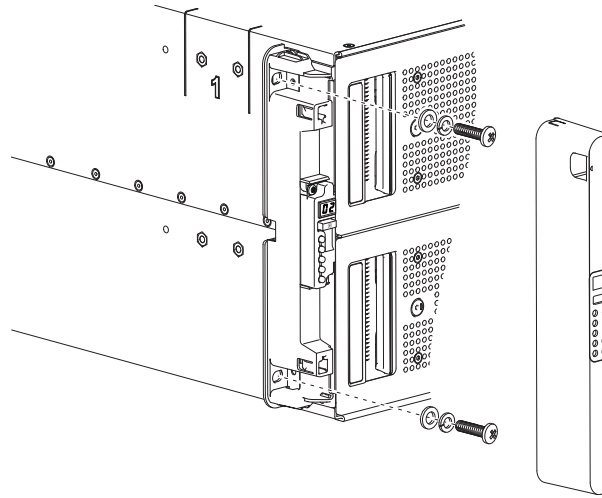


Figure 14 Secure chassis operator's panel to rack posts

- c. Slide the ops panel cover over the left rack ear flange until flush with the rack post.
- d. Repeat the process for securing the right rack ear flange and replacing the right rack ear cover.
- e. Facing the rear of the enclosure, insert and tighten an Panhead M5 x 8 screw through the chassis and into the tail of each outer rail with a Phillips screwdriver to secure the rear of the chassis.

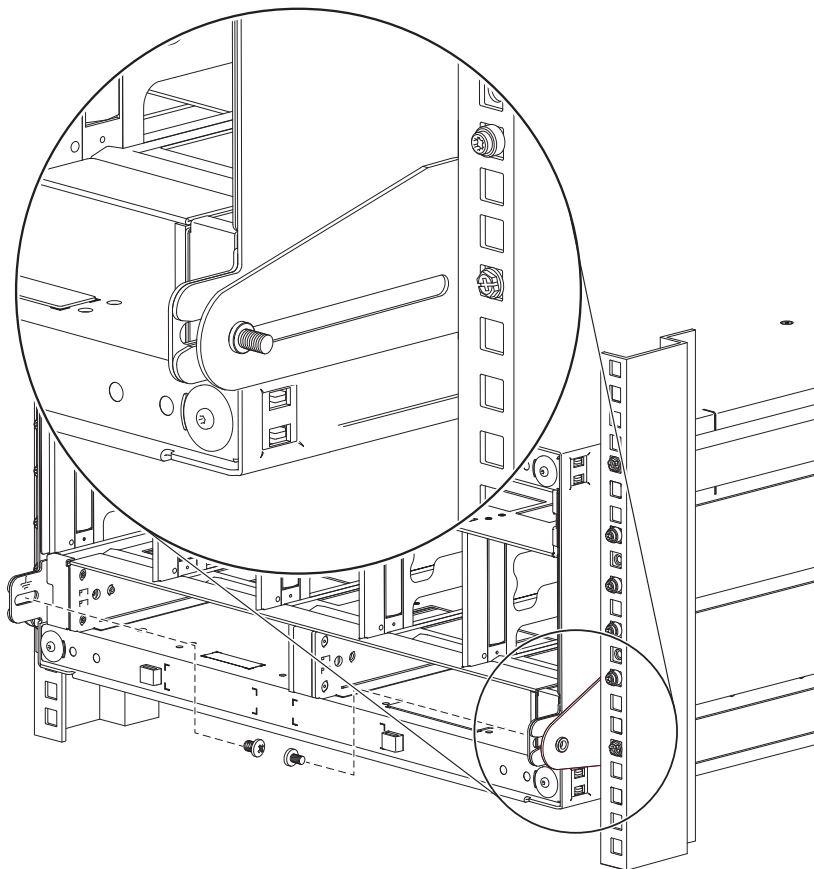


Figure 15 5U rear chassis connection to outer rails, detail, minus rear components for clarity

Access a drawer

Each tamper-resistant drawer contains 42 slots for drives in carriers (DDICs). The drawer supports its DDIC contents and own weight when partially or fully open. A safety latching mechanism prevents access to more than one drawer at a time.

You can use a T20 Torx driver to lock each drawer pull handle by turning each lock clockwise.

Populate the 5U enclosure

After successfully mounting the 5U chassis into the rack cabinet, populate the storage enclosure.

CAUTION If you partially populate the storage enclosure with drives in their carriers (DDICs), you must comply with several additional requirements.

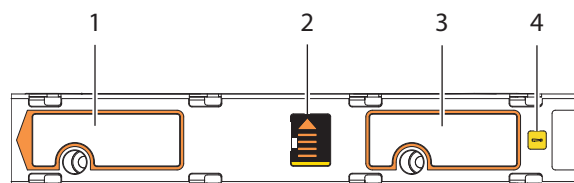
- You must install a minimum of 14 DDICs. Populate in rows, 14 DDICs at a time, from front to back of the drawer, and alternate between drawers.
 - Fill the front row in Drawer 1, then front row in Drawer 2.
 - Fill the middle row in Drawer 1, then the middle row in Drawer 2.
 - Fill the back row in Drawer 1, then the back row in Drawer 2.

The total number of populated drawer rows cannot differ by more than one (1) row.

- Populate rows with DDICs that have the same form factor and same rotational speed.
- Do not mix drive types within the same drawer.

To populate the 5U enclosure:

- Complete the following actions to open the upper drawer:
 - Facing the front of the storage enclosure, press and hold both drawer pull handles while pulling outward.
 - Stop as the drawer rails engage the safety lock latches to access to three rows of drives in their carriers (DDICs).
- Complete the following actions to fully populate the upper drawer:
 - Select a DDIC and orient it, so the LED is towards the drawer front and the release latch arrow towards the rear.



Item	Description	Item	Description
1	Top portion of carrier latch	3	Bottom portion of carrier latch
2	Release latch, release latch arrow, open state	4	Fault condition LED

Figure 16 Carrier latch features

- Align the carrier with the first empty drawer slot to the front far left, then lower it fully into the slot.
- Push the DDIC down until the top is flush with the top of the slot.
- While holding it against the bottom of the slot, slide the top latch toward the rear of the drawer until it locks into place and the DDIC release latch locks.



Figure 17 Release latch open and unlocked



Figure 18 Release latch properly locked

- e. Select the next DDIC, orient it so the LED is towards the drawer front, and insert into the next slot in the same manner.
- f. Repeat, moving to the next slot in the sequence, until you complete the row.
- g. Populate the next two rows in sequence.
- h. Verify that all drives are at the same level and all DDIC release latches are properly locked.

CAUTION Do not proceed to close the drawer unless all DDICs are in a fully locked position or DDIC height can inhibit or completely prevent drawer access once you close it.

3. Complete the following actions to close a drawer:
 - a. Press and hold the safety lock latches with the blue touchpoint at the front of both extended drawer slide rails.

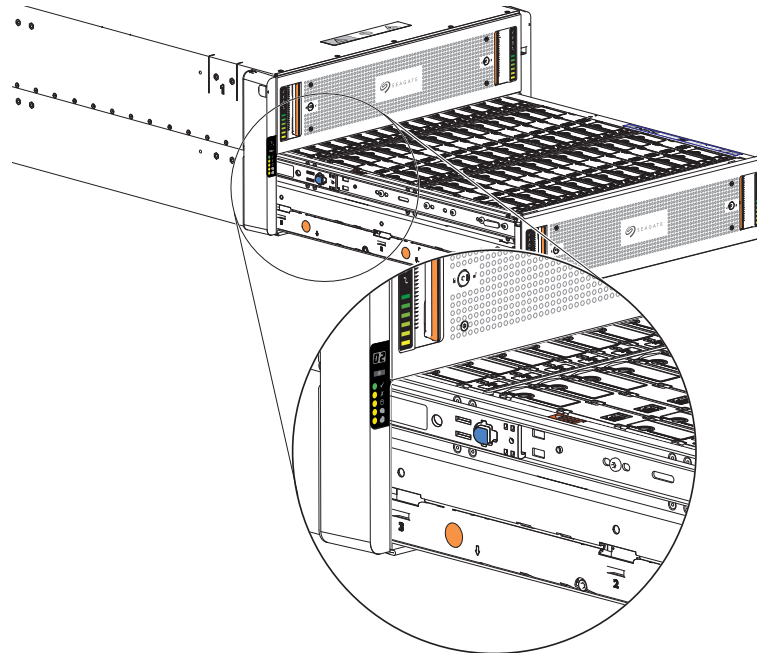


Figure 19 Safety lock to release left drawer slide rail (lower drawer used for relational clarity)

- b. Pressing simultaneously inward, begin sliding the drawer back into place until the safety lock clears the opening.
 - c. Placing the heels of both palms against the face of the drawer near the anti-tamper locks, exert even inward pressure until the drawer is almost flush with the rack ear flanges.
 - d. Simultaneously press inward and hold both drawer pull handles as you push Drawer 1 closed until it fully latches.
4. Open the lower drawer and repeat the above DDIC installation process.
 5. Following the same drawer closure process, completely close the drawer until it fully latches.

Follow the remainder of the installation checklist sequence on the *Getting Started* sheet using the Hardware Installation and Maintenance Guide.

© 2021 Seagate Technology LLC or its affiliates. All rights reserved. Seagate, Seagate Technology, and the Spiral logo are registered trademarks of Seagate Technology LLC in the United States and/or other countries. Exos is either a trademark or registered trademark of Seagate Technology LLC or one of its affiliated companies in the United States and/or other countries. All other trademarks or registered trademarks are the property of their respective owners. When referring to disk capacity, one gigabyte (GB) equals one billion bytes, one terabyte (TB) equals one trillion bytes, and one petabyte (PB) equals one thousand terabytes. Your computer's operating system may use a different standard of measurement and report a lower capacity. In addition, some of the listed capacity is used for formatting and other functions, and thus will not be available for data storage. All coded instruction and program statements contained herein remain copyrighted works and confidential proprietary and trade secret information of Seagate Technology LLC or its affiliates. Any use, derivation, disassembly, reverse engineering, dissemination, reproduction, or any attempt to modify, prepare derivative works, reproduce, distribute, disclose copyrighted material of Seagate Technology LLC, for any reason, in any manner, medium, or form, in whole or in part, if not expressly authorized, is strictly prohibited. Seagate reserves the right to change, without notice, product offerings or specifications.

Regulatory and compliance information

For the latest regulatory and compliance information see www.seagate.com/support. Scroll down to the Compliance, Safety and Disposal Guide link.

Open source third-party licenses and code

Seagate storage products use open source software components. To view information about open source software licenses and open source code used in Seagate storage products, see www.seagate.com/support.