



Lyve Mobile Array Manual de usuario



Hier klicken, um eine aktuelle Online-Version dieses Dokuments aufzurufen. Auch finden Sie hier die aktuellsten Inhalte sowie erweiterbare Illustrationen, eine übersichtlichere Navigation sowie Suchfunktionen.

Contents

1	Le damos la bienvenida	4
	Contenido de la caja	4
	Requisitos mínimos del sistema	5
	• Ordenador	5
	• Sistema operativo	5
	Especificaciones	6
	• Dimensiones	6
	• Peso	6
	• Electricidad	6
	Puertos	6
	• Puertos de Almacenamiento de conexión directa (DAS)	7
	• Puertos del Lyve Rackmount Receiver de Seagate	7
2	Setup Requirements	8
	Lyve Mobile security	8
	Download Lyve Client	8
	Authorize host computers	8
3	Opciones de conexión	10
4	Direct-Attached Storage (DAS) Connections	11
	Connect power	11
	Connect to host computer	11
	• Windows Prompt: Approve Thunderbolt Device	12
	Unlock the device	13
	Power button	13
	Cycle power when switching connection types	14
5	Lyve Rackmount Receiver Connections	15
	Connect Ethernet port	15
	Connect Lyve Mobile Array	15
	Turn on power	17
	Unlock the device	17
6	Indicador LED de estado	19
	Clave	19
7	Lyve Mobile Array Shipper	21
8	Etiquetas magnéticas	22
9	Regulatory Compliance	23






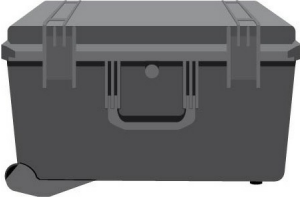
FCC DECLARATION OF CONFORMANCE	23
CLASS B	23
VCCI-B	23
China RoHS	23
Taiwan RoHS	24

Le damos la bienvenida

Seagate® Lyve™ Mobile Array es una solución de almacenamiento de datos portátil y apilable diseñada para almacenar datos de forma rápida y segura en el perímetro o mover datos a través de su empresa. Tanto la versión totalmente flash como la de disco duro permiten compatibilidad universal de datos, conectividad versátil, cifrado seguro y transporte de datos reforzado.

Contenido de la caja

Pieza	Descripción
	Lyve Mobile Array
	Adaptador de alimentación
	Cable de alimentación EE. UU.
	Cable de alimentación UE
	Cable de alimentación Reino Unido
	Cable de alimentación AU/NZ

	Cable Thunderbolt™ 3 (hasta 40 Gb/s)
	Cable SuperSpeed USB-C a USB-C (USB 3.1 Gen 2, hasta 10 Gb/s)
	Cable SuperSpeed USB-C a USB-A (USB 3.1 Gen 1, hasta 5 Gb/s y compatible con puertos USB 3.0)
	Etiquetas magnéticas (x3)
	Ataduras de seguridad (x2)
	Caja de envío
	Guía de inicio rápido

Requisitos mínimos del sistema

Ordenador

Ordenador con uno de los siguientes elementos:

- Puerto Thunderbolt 3
- Puerto USB-C
- Puerto USB-A (USB 3.0)



Lyve Mobile Array no admite cables o interfaces con HighSpeed USB (USB 2.0).

Sistema operativo

- Windows® 10, versión 1909 o Windows 10 versión 20H2 (lo último desarrollado)
- macOS® 10.15.x o macOS 11.x

Especificaciones

Dimensiones

Lado	Dimensiones (pulg./mm)
Largo	16,417 pulg./417 mm
Ancho	8,267 pulg./210 mm
Profundidad	5,787 pulg./147 mm

Peso

Modelo	Peso (kg)
SSD	21,164 lb/9,6 kg
HDD	27,7782 lb/12,6 kg

Electricidad

Adaptador de alimentación 260 W (20 V/13 A)

! Al cargar el dispositivo usando el puerto de la fuente de alimentación, use la fuente de alimentación que viene con el dispositivo. Las fuentes de alimentación de otros dispositivos de Seagate o de terceros pueden dañar su Lyve Mobile Array.

Puertos



Puertos de Almacenamiento de conexión directa (DAS)

Use los siguientes puertos al conectar el Lyve Mobile Array a un ordenador:

A	Puerto Thunderbolt™ 3 (host): Conectar a ordenadores Windows y macOS.
B	Puerto Thunderbolt™ 3 (periférico): Conectar a dispositivos periféricos.
D	Entrada de alimentación: Conectar el adaptador de alimentación (20 V/13 A)
E	Botón de encendido: Consulte conexiones de Almacenamiento de conexión directa (DAS) .

Puertos del Lyve Rackmount Receiver de Seagate

Los siguientes puertos se usan cuando el Lyve Mobile Array se monte en un Lyve Rackmount Receiver:

C	Conector Lyve USM™ (PCIe gen 3.0 de alto rendimiento): Trafiere grandes cantidades de datos a su nube pública o privada para una producción eficiente de hasta 6 Gb/s en redes y estructuras compatibles.
D	Entrada de alimentación: Recibe alimentación al montarse en Rackmount Receiver.

Setup Requirements

Lyve Mobile security

Lyve Mobile offers two ways for project admins to manage how end users securely access Lyve Mobile storage devices:

Lyve Portal Identity—End users authorize client computers to access Lyve Mobile devices using their Lyve Management Portal credentials. Requires an internet connection for initial setup and periodic reauthorization through Lyve Management Portal.

Lyve Token Security—End users are provided with Lyve Token files that can be installed on certified client computers and Lyve Mobile Padlock devices. Once configured, computers/Padlock devices unlocking Lyve Mobile devices do not require continual access to Lyve Management Portal or the internet.



For details on setting up security, go to www.seagate.com/lyve-security.

Download Lyve Client

To unlock and access Lyve devices connected to your computer, you must enter your username and password in the Lyve Client app. You can also use it to manage Lyve projects and data operations. Install Lyve Client on any computer intended to connect to Lyve Mobile Array. Download the Lyve Client installer for Windows® or macOS® at www.seagate.com/support/lyve-client

Authorize host computers

An internet connection is required when authorizing a host computer.

1. Open Lyve Client on a computer intended to host Lyve Mobile Array.
2. When prompted, enter your Lyve Management Portal username and password.

Lyve Client authorizes the host computer to unlock and access Lyve devices and manage projects on the Lyve Management Portal.

The host computer remains authorized for up to 30 days, during which you can unlock and access connected devices even without an internet connection. After 30 days, you'll need to open Lyve Client on the computer and re-enter your credentials.



Lyve Mobile Array locks when powered off, ejected or unplugged from the host computer, or if the host computer goes to sleep. Use Lyve Client to unlock Lyve Mobile Array when it is reconnected to the host or the host has awakened from sleep. Note that Lyve Client must be open and the user must be signed in to use Lyve Mobile Array.

Opciones de conexión



Lyve Mobile Array can be used as direct-attached storage. See [Direct-Attached Storage \(DAS\) Connections](#).



Lyve Mobile Array can also support connections via Fibre Channel, iSCSI and Serial Attached SCSI (SAS) connections using the Lyve Rackmount Receiver. For details, see the [Lyve Rackmount Receiver user manual](#).



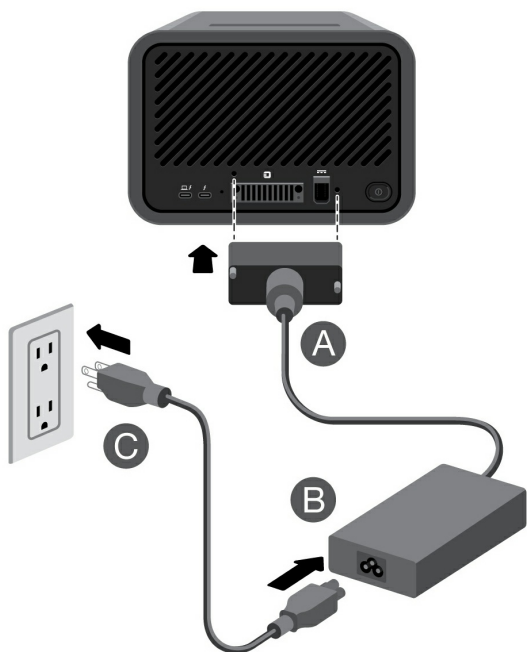
For high-speed mobile data transfers, connect Lyve Mobile Array using the Lyve Mobile PCIe Adapter. See the [Lyve Mobile Mount and PCIe Adapter user manual](#) or [Lyve Mobile Mount and PCIe Adapter - Front Loader user manual](#).

Direct-Attached Storage (DAS) Connections

Connect power

Connect the included power supply in the following order:

- A. Connect the power supply to Lyve Mobile Array's power input.
- B. Connect the power cord to the power supply.
- C. Connect the power cord to a live power outlet.



! Use only the power supply provided with your device. Power supplies from other Seagate and third-party devices can damage Lyve Mobile Array.

Connect to host computer

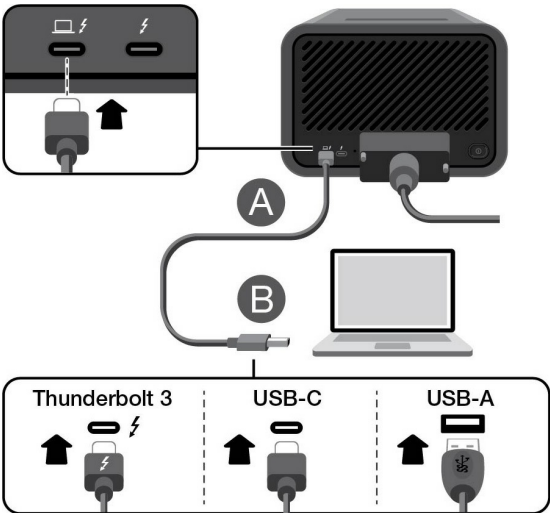
Lyve Mobile Array is shipped with three types of cables to connect to host computers. Review the following table for cable and host port options.

Cables	Host port
Thunderbolt 3	Thunderbolt 3, Thunderbolt 4

USB-C to USB-C	USB 3.1 Gen 1 or higher
USB-C to USB-A	USB 3.0 or higher

Connect Lyve Mobile Array to a computer in the following order:

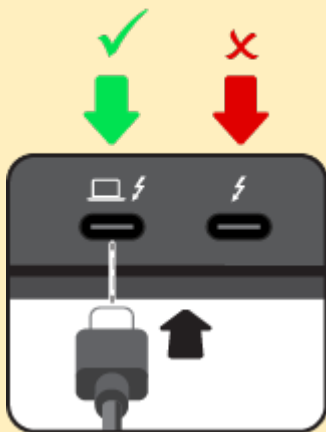
- A. Connect the Thunderbolt 3 cable to Lyve Mobile Array's Thunderbolt 3 host port located on the left side of the back panel.
- B. Connect the other end to an appropriate port on the host computer.



Windows Prompt: Approve Thunderbolt Device

When you first connect Lyve Mobile Array to a Windows PC that supports Thunderbolt 3, you may see a prompt requesting to authenticate the recently connected device. Follow the onscreen prompts to approve the Thunderbolt connection to Lyve Mobile Array. For more details on Thunderbolt connectivity to your Windows PC, see the following [knowledge base article](#).

- ! If you are using a USB host and the Lyve Mobile Array status LED is illuminated with an amber chase pattern, make sure the cable is connected to Lyve Mobile Array's Thunderbolt 3/USB-C host port. **The host port is the USB-C port with the computer icon.** An amber chase pattern indicates that the computer is connected to the peripheral port.



Unlock the device

The LED on the device blinks white during the boot process and turns solid orange. The solid orange LED color indicates the device is ready to be unlocked.



Once the device has been unlocked by a valid Lyve Portal Identity or Lyve Token file, the LED on the device turns solid green. The device is unlocked and ready for use.

Power button

Power on—A direct connection to a computer is not required to power on Lyve Mobile Array. It automatically powers on when connected to a power outlet.

Power off—Before powering off Lyve Mobile Array, make certain to safely eject its volumes from the host computer. Apply a long press (3 seconds) to the power button to turn off Lyve Mobile Array.



If Lyve Mobile Array is off but still connected to power, you can turn Lyve Mobile Array back on by applying a short press (1 second) to the power button.

Cycle power when switching connection types

Switching from one DAS connection type (Thunderbolt, USB, or PCIe Adapter) to another can result in missing volumes. Windows users can also experience a blue screen error.

To avoid these issues, use the following procedure when changing connection types:

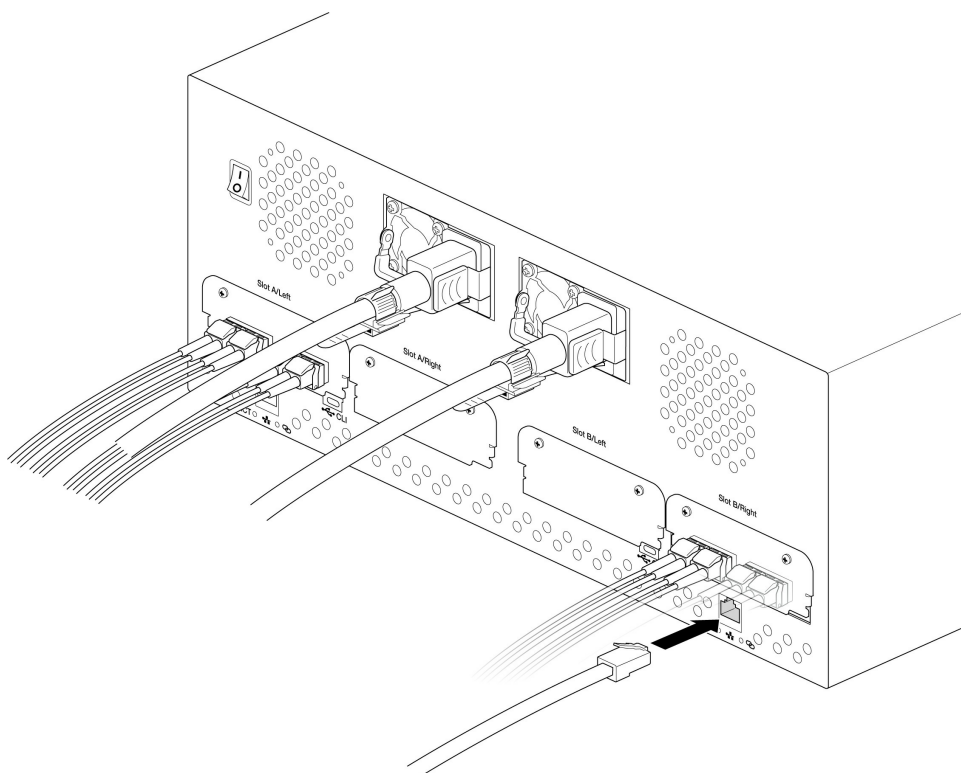
1. Safely eject the volume.
2. Power off Lyve Mobile Array.
3. Change the connection as needed.
4. Power on Lyve Mobile Array.

Lyve Rackmount Receiver Connections

For details on configuring Seagate Lyve Rackmount Receiver for use with Lyve Mobile Array and other compatible devices, see the [Lyve Rackmount Receiver user manual](#).

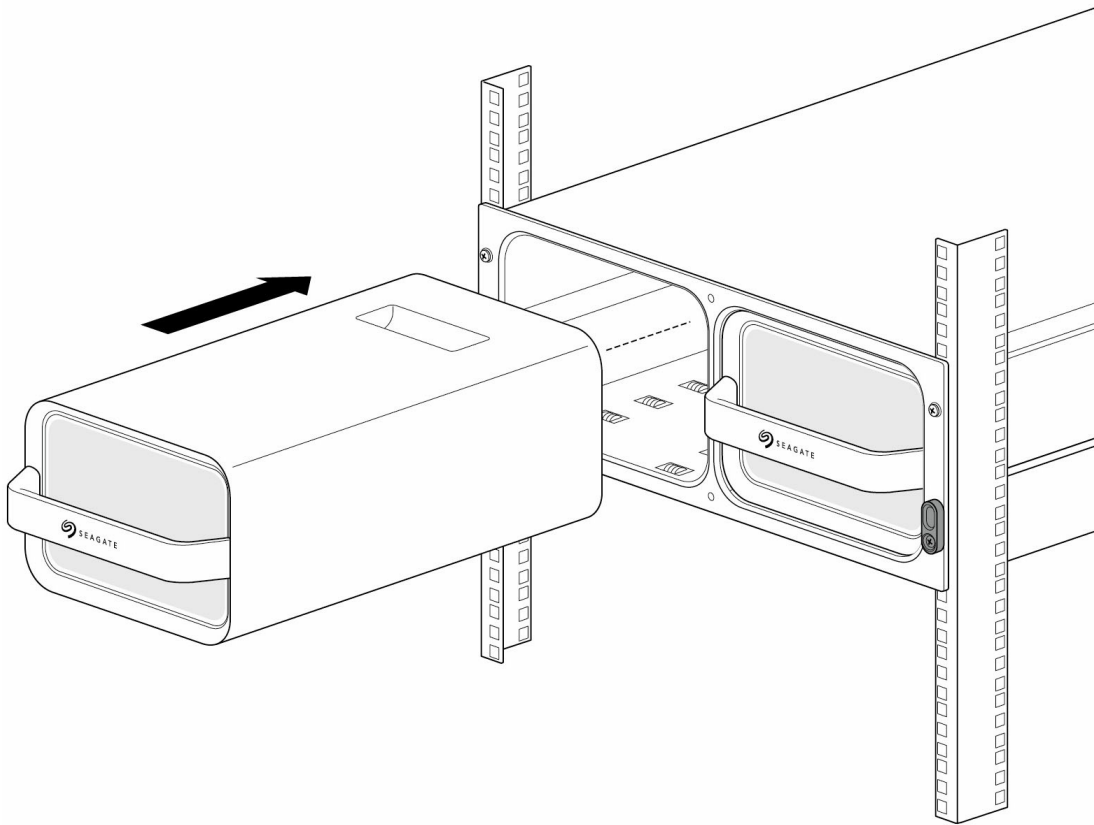
Connect Ethernet port

Lyve Client communicates with devices inserted in Lyve Rackmount Receiver via the Ethernet management ports. Ensure that the Ethernet management ports are connected to the same network as the host devices running Lyve Client. If no device is inserted in a slot, there's no need to connect its corresponding Ethernet management port to the network.



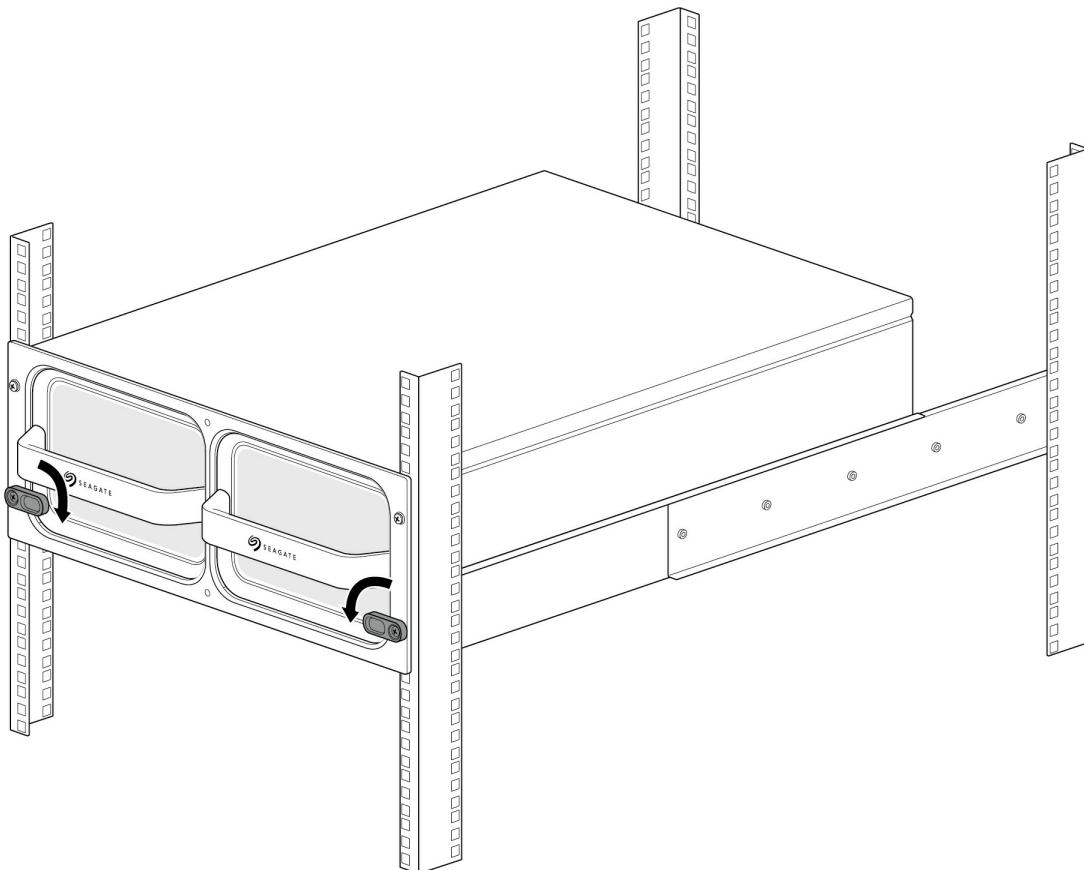
Connect Lyve Mobile Array

Insert Lyve Mobile Array into slot A or B on Rackmount Receiver.



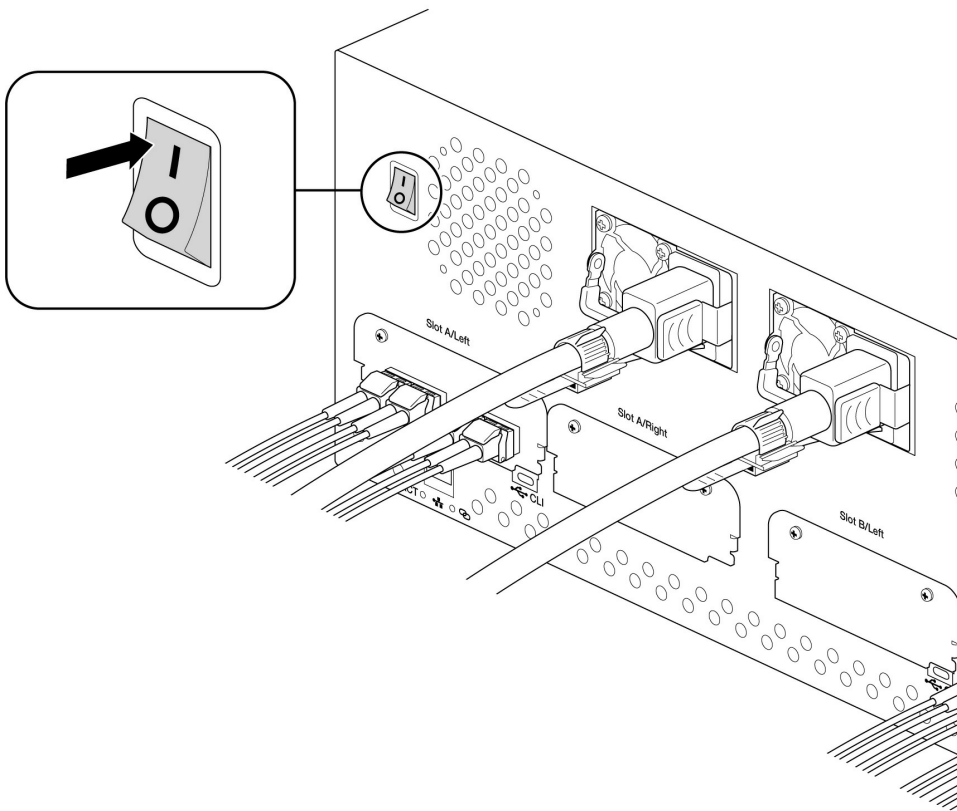
Slide device in until it's fully inserted and firmly connected to Rackmount Receiver's data and power.

Close latches.



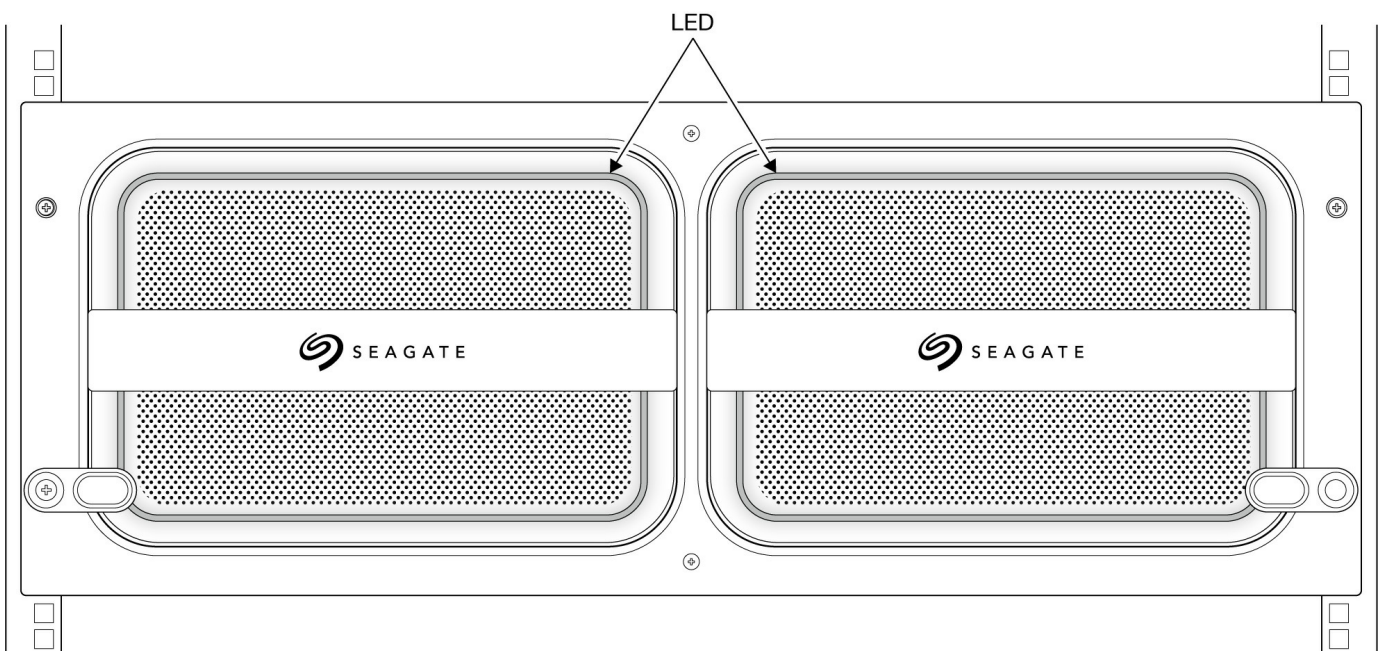
Turn on power

Set the power switch on Lyve Mobile Rackmount Receiver to ON.



Unlock the device

The LED on the device blinks white during the boot process and turns solid orange. The solid orange LED color indicates the device is ready to be unlocked.



Once the device has been unlocked by a valid Lyve Portal Identity or Lyve Token file, the LED on the device turns solid green. The device is unlocked and ready for use.



Indicador LED de estado

El indicador LED en la parte delantera de la carcasa indica el estado del dispositivo. Consulte la clave a continuación para conocer el color y las animaciones asociadas a cada estado.



Clave

Estado	Color 1	Color 2	Animación	Descripción
Apagado	Black	N/A	Continuo	El dispositivo está apagado.
Identificación	Magenta	Black	Breathe (Difuminado)	Un usuario de Lyve Client ha enviado un aviso para identificar el dispositivo.
Error	Red	N/A	Continuo	Error obtenido.
Advertencia	Olive Green	Gold	Blink (Parpadeante)	Advertencia obtenida.
Apagado manual	Bright Green	Black	Fundido de salida	Un usuario ha iniciado el apagado manual.
Unidad bloqueada	Brown	N/A	Circular	La unidad está bloqueada.
Configuración	Blue	N/A	Continuo	Lyve Client está configurando el dispositivo.
Procesar	Bright Green	N/A	Circular	Lyve Client está copiando o moviendo datos.
E/S	Bright Green	Black	Breathe (Difuminado)	Actividad de entrada/salida.

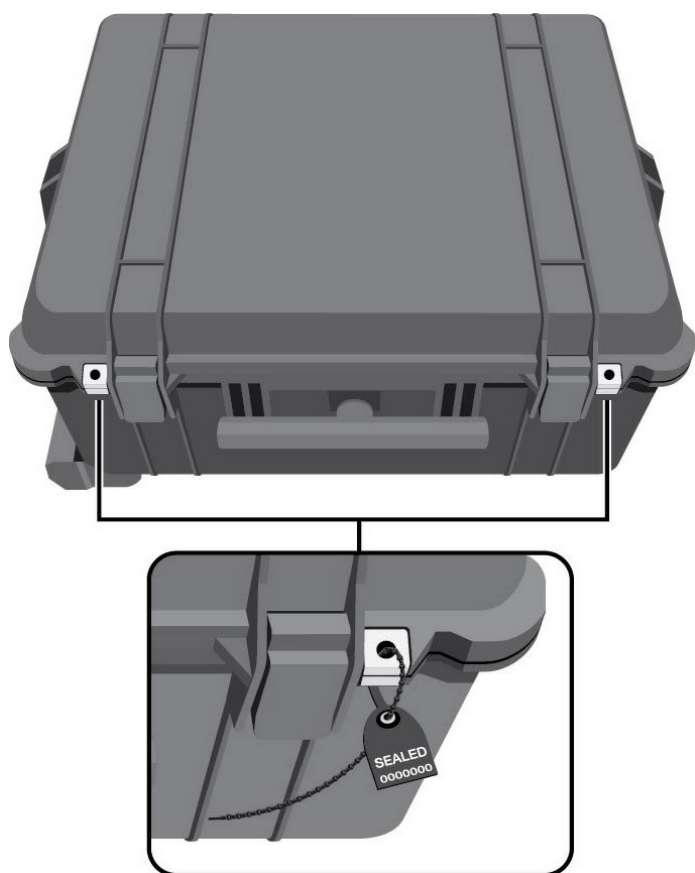
Listo		N/A	Continuo	El dispositivo está listo.
Inicio	Blanco		Blink (Parpadeante)	El dispositivo se está iniciando.

Lyve Mobile Array Shipper

Se incluye una carcasa de envío con Lyve Mobile Array.

Úsela siempre cuando transporte y envíe Lyve Mobile Array.

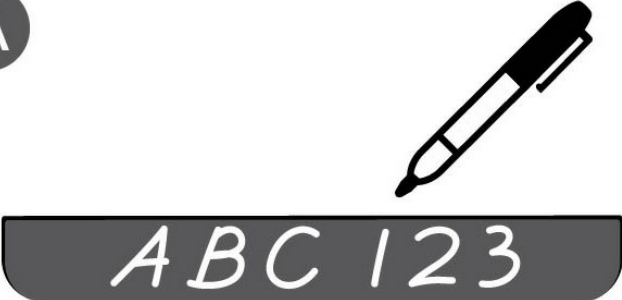
Para mayor seguridad, asegure la cinta de seguridad que se incluye a Lyve Mobile Shipper. Si la cinta permanece intacta, el destinatario sabe que la carcasa no fue manipulada durante el trayecto.



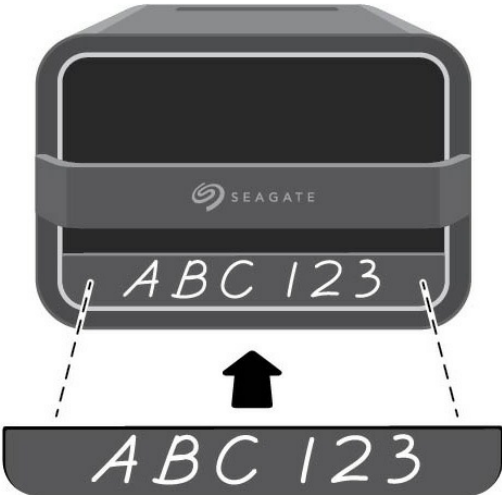
Etiquetas magnéticas

Las etiquetas magnéticas se pueden colocar en la parte frontal del Lyve Mobile Array para que ayuden a identificar cada dispositivo. Use un rotulador o un lápiz grueso para personalizar las etiquetas

A



B



Regulatory Compliance

Product Name	Regulatory Model Number
Seagate Lyve Mobile Array	SMMA001

FCC DECLARATION OF CONFORMANCE

This device complies with Part 15 of the FCC Rules. Operation is subject to the following two conditions: (1) this device may not cause harmful interference, and (2) this device must accept any interference received, including interference that may cause undesired operation.

CLASS B

This equipment has been tested and found to comply with the limits for a Class B digital device, pursuant to Part 15 of the FCC Rules. These limits are designed to provide reasonable protection against harmful interference in residential installation. This equipment generates, uses, and can radiate radio frequency energy and, if not installed and used in accordance with the instructions, may cause harmful interference to radio communications. However, there is no guarantee that interference will not occur in a particular installation. If this equipment does cause harmful interference to radio or television reception, which can be determined by turning the equipment off and on, the user is encouraged to try to correct the interference by one or more of the following measures:

1. Reorient or relocate the receiving antenna.
2. Increase the separation between the equipment and receiver.
3. Connect the equipment into an outlet on a circuit different from that to which the receiver is connected.
4. Consult the dealer or an experienced radio/TV technician for help.

CAUTION: Any changes or modifications made to this equipment may void the user's authority to operate this equipment.

VCCI-B

この装置は、クラスB機器です。この装置は、住宅環境で使用することを目的としていますが、この装置がラジオやテレビジョン受信機に近接して使用されると、受信障害を引き起こすことがあります。取扱説明書に従って正しい取り扱いをして下さい。VCCI-B

China RoHS



China RoHS 2 refers to the Ministry of Industry and Information Technology Order No. 32, effective July 1, 2016, titled Management Methods for the Restriction of the Use of Hazardous Substances in Electrical and Electronic Products. To comply with China RoHS 2, we determined this product's Environmental Protection Use Period (EPUP) to be 20 years in accordance with the Marking for the Restricted Use of Hazardous Substances in Electronic and Electrical Products, SJ/T 11364-2014.

中国 RoHS 2 是指 2016 年 7 月 1 日起施行的工业和信息化部令第 32 号“电力电子产品限制使用有害物质管理办法”。为了符合中国 RoHS 2 的要求，我们根据“电子电气产品有害物质限制使用标识”(SJ/T 11364-2014) 确定本产品的环保使用期 (EPUP) 为 20 年。

部件名称 Part Name	有害物质 Hazardous Substances					
	铅 (Pb)	汞 (Hg)	镉 (Cd)	六价铬 (Cr ⁶⁺)	多溴联苯 (PBB)	多溴二苯醚 (PBDE)
硬盘驱动器/固态驱动器 HDD/SSD	X	O	O	O	O	O
外接硬盘印刷电路板 Bridge PCBA	X	O	O	O	O	O
电源 (如果提供) Power Supply (if provided)	X	O	O	O	O	O
接口电缆 (如果提供) Interface cable (if provided)	X	O	O	O	O	O
其他外壳组件 Other enclosure components	O	O	O	O	O	O

本表格依据 SJ/T 11364 的规定编制。
This table is prepared in accordance with the provisions of SJ/T 11364-2014

O: 表示该有害物质在该部件所有均质材料中的含量均在 GB/T 26572 规定的限量要求以下。
O: Indicates that the hazardous substance contained in all of the homogeneous materials for this part is below the limit requirement of GB/T26572.

X: 表示该有害物质至少在该部件的某一均质材料中的含量超出 GB/T 26572 规定的限量要求。
X: Indicates that the hazardous substance contained in at least one of the homogeneous materials used for this part is above the limit requirement of GB/T26572.

Taiwan RoHS

Taiwan RoHS refers to the Taiwan Bureau of Standards, Metrology and Inspection's (BSMI's) requirements in standard CNS 15663, Guidance to reduction of the restricted chemical substances in electrical and electronic equipment. Beginning on January 1, 2018, Seagate products must comply with the "Marking of presence" requirements in Section 5 of CNS 15663. This product is Taiwan RoHS compliant. The following table meets the Section 5 "Marking of presence" requirements.

台灣RoHS是指台灣標準局計量檢驗局(BSMI)對標準CNS15663要求的減排電子電氣設備限用化學物質指引。從2018年1月1日起，Seagate產品必須符合CNS15663第5節「含有標示」要求。本產品符合台灣RoHS。下表符合第5節「含有標示」要求。

產品名稱:磁盤陣列,型號:SMMA001		Product Name: Lyve Mobile Array, Model: SMMA001					
單元 Unit		限用物質及其化學符號			Restricted Substance and its chemical symbol		
		鉛 (Pb)	汞 (Hg)	鎘 (Cd)	六價鉻 (Cr ⁶⁺)	多溴聯苯 (PBB)	多溴二苯醚 (PBDE)
硬盤驅動器/固態驅動器	HDD/SSD	—	0	0	0	0	0
外接硬盤印刷電路板	Bridge PCBA	—	0	0	0	0	0
電源 (如果提供)	Power Supply (if provided)	—	0	0	0	0	0
傳輸線材 (如果提供)	Interface cable (if provided)	—	0	0	0	0	0
其他外殼組件	Other enclosure components	0	0	0	0	0	0
備考 1. “0” 係指該項限用物質之百分比含量未超出百分比含量基準值。 Note 1. “0” indicates that the percentage content of the restricted substance does not exceed the percentage of reference value of presence.							
備考 2. “—” 係指該項限用物質為排除項目。 Note 2. “—” indicates that the restricted substance corresponds to the exemption.							

額定電壓/額定電流: 20VDC = 13A 操作溫度: 5 - 40 °C

本設備勿置於潮濕處。 請將產品置於手冊規定的環境使用溫度,以避免過熱。 連接至電源前,請先檢查電壓。	當設備不用時,請將所有電源線拔除,避免電壓不穩而造成傷害。 勿將任何液體濺入設備中,避免線路短路。 請勿自行調整或修理已通電的設備,以確保您的安全。
----------------------------------------------------------	----------------------------------------------------------------------------------