



# Lyve Mobile Array 使用手冊

---



**Hier klicken, um eine aktuelle Online-Version**  
dieses Dokuments aufzurufen. Auch finden Sie hier die aktuellsten Inhalte sowie erweiterbare  
Illustrationen, eine übersichtlichere Navigation sowie Suchfunktionen.

# Contents

<b>1</b>	<b>歡迎</b>	<b>4</b>
	盒裝內容	4
	最低系統要求	5
	• 電腦	5
	• 作業系統	5
	規格	5
	• 尺寸	6
	• 重量	6
	• 電氣	6
	連接埠	6
	• 直接連接儲存裝置 (DAS) 連接埠	6
	• Seagate Lyve Rackmount Receiver 連接埠	7
<b>2</b>	<b>Setup Requirements</b>	<b>8</b>
	Lyve Mobile security	8
	Download Lyve Client	8
	Authorize host computers	8
<b>3</b>	<b>連線選擇</b>	<b>10</b>
<b>4</b>	<b>Direct-Attached Storage (DAS) Connections</b>	<b>11</b>
	Connect power	11
	Connect to host computer	11
	• Windows Prompt: Approve Thunderbolt Device	12
	Unlock the device	13
	Power button	13
	Cycle power when switching connection types	14
<b>5</b>	<b>Lyve Rackmount Receiver Connections</b>	<b>15</b>
	Connect Ethernet port	15
	Connect Lyve Mobile Array	15
	Turn on power	17
	Unlock the device	17
<b>6</b>	<b>狀態 LED</b>	<b>19</b>
	鍵值	19
<b>7</b>	<b>Lyve Mobile Shipper</b>	<b>20</b>
<b>8</b>	<b>Magnetic Labels</b>	<b>21</b>
<b>9</b>	<b>Regulatory Compliance</b>	<b>22</b>

FCC DECLARATION OF CONFORMANCE .....	22
CLASS B .....	22
VCCI-B .....	22
China RoHS .....	22
Taiwan RoHS .....	23

# 歡迎

Seagate® Lyve™ Mobile Array 是可攜式機架型資料儲存解決方案，旨在迅速安全地在邊緣儲存資料，或在公司各處移動資料。全快閃和硬碟機兩種版本皆能實現共通的資料相容性、多功能連線能力、安全加密和穩固牢靠的資料運輸功能。

## 盒裝內容

零件	說明
	Lyve Mobile Array
	電源轉接器
	美國電源線
	歐盟電源線
	英國電源線
	澳洲/紐西蘭電源線

	Thunderbolt™ 3 連接線 (最高 40Gb/秒)
	SuperSpeed USB-C 至 USB-C 連接線 (USB 3.1 Gen 2, 最高 10Gb/秒)
	SuperSpeed USB-C 至 USB-A 連接線 (USB3.1 Gen 1, 最高 5Gb/秒, 相容 USB 3.0 連接埠)
	磁性標籤 (3 個)
	安全固定帶 (2 條)
	運輸箱
	快速入門手冊

## 最低系統要求

### 電腦

具備以下其中一種功能的電腦：

- Thunderbolt 3 連接埠
- USB-C 連接埠
- USB-A 連接埠 (USB 3.0)



Lyve Mobile Array 不支援 HighSpeed USB (USB 2.0) 連接線或介面。

### 作業系統

- Windows® 10 版本 1909 或 Windows 10 版本 20H2 (最新版本)
- macOS® 10.15.x 或 macOS 11.x

## 規格

## 尺寸

側面	尺寸 (吋/公釐)
長度	16.417 吋/417 公釐
寬度	8.267 吋/210 公釐
深度	5.787 吋/147 公釐

## 重量

機型	重量 (磅/公斤)
SSD	21.164 磅/9.6 公斤
HDD	27.7782 磅/12.6 公斤

## 電氣

電源轉接器 260W (20V/13A)

！ 使用電源供應器連接埠為裝置充電時，僅使用裝置隨附的電源供應器。其他 Seagate 及第三方裝置的電源供應器可能會損壞 Lyve Mobile Array。

## 連接埠



### 直接連接儲存裝置 (DAS) 連接埠

將 Lyve Mobile Array 連接至電腦時，請使用下列連接埠：

A	Thunderbolt™ 3 (主機) 連接埠: 連接至 Windows 及 macOS 電腦。
B	Thunderbolt™ 3 (週邊設備) 連接埠: 連接至週邊裝置。
D	電源輸入埠: 連接至電源轉接器 (20V/13A)。
E	電源按鈕: 請參閱 <a href="#">直接連接儲存裝置 (DAS) 連線</a> 。

## Seagate Lyve Rackmount Receiver 連接埠

Lyve Mobile Array 裝載於 Lyve Rackmount Receiver 內時，會使用下列連接埠：

C	Lyve USM™ 接頭 (高效能 PCIe gen 3.0): 透過支援的光纖和網路，將大量資料傳輸到私人或公用雲端上，以達到最高每秒 6GB 的高效率傳輸量。
D	電源輸入埠: 裝載於 Rackmount Receiver 內時用於接收電力。

# Setup Requirements

## Lyve Mobile security

Lyve Mobile offers two ways for project admins to manage how end users securely access Lyve Mobile storage devices:

**Lyve Portal Identity**—End users authorize client computers to access Lyve Mobile devices using their Lyve Management Portal credentials. Requires an internet connection for initial setup and periodic reauthorization through Lyve Management Portal.

**Lyve Token Security**—End users are provided with Lyve Token files that can be installed on certified client computers and Lyve Mobile Padlock devices. Once configured, computers/Padlock devices unlocking Lyve Mobile devices do not require continual access to Lyve Management Portal or the internet.



For details on setting up security, go to [www.seagate.com/lyve-security](http://www.seagate.com/lyve-security).

## Download Lyve Client

To unlock and access Lyve devices connected to your computer, you must enter your username and password in the Lyve Client app. You can also use it to manage Lyve projects and data operations. Install Lyve Client on any computer intended to connect to Lyve Mobile Array. Download the Lyve Client installer for Windows® or macOS® at [www.seagate.com/support/lyve-client](http://www.seagate.com/support/lyve-client)

## Authorize host computers

An internet connection is required when authorizing a host computer.

1. Open Lyve Client on a computer intended to host Lyve Mobile Array.
2. When prompted, enter your Lyve Management Portal username and password.

Lyve Client authorizes the host computer to unlock and access Lyve devices and manage projects on the Lyve Management Portal.

The host computer remains authorized for up to 30 days, during which you can unlock and access connected devices even without an internet connection. After 30 days, you'll need to open Lyve Client on the computer and re-enter your credentials.





Lyve Mobile Array locks when powered off, ejected or unplugged from the host computer, or if the host computer goes to sleep. Use Lyve Client to unlock Lyve Mobile Array when it is reconnected to the host or the host has awakened from sleep. Note that Lyve Client must be open and the user must be signed in to use Lyve Mobile Array.

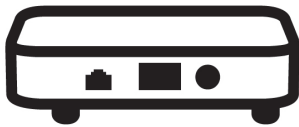
# 連線選擇



Lyve Mobile Array can be used as direct-attached storage. See [Direct-Attached Storage \(DAS\) Connections](#).



Lyve Mobile Array can also support connections via Fibre Channel, iSCSI and Serial Attached SCSI (SAS) connections using the Lyve Rackmount Receiver. For details, see the [Lyve Rackmount Receiver user manual](#).



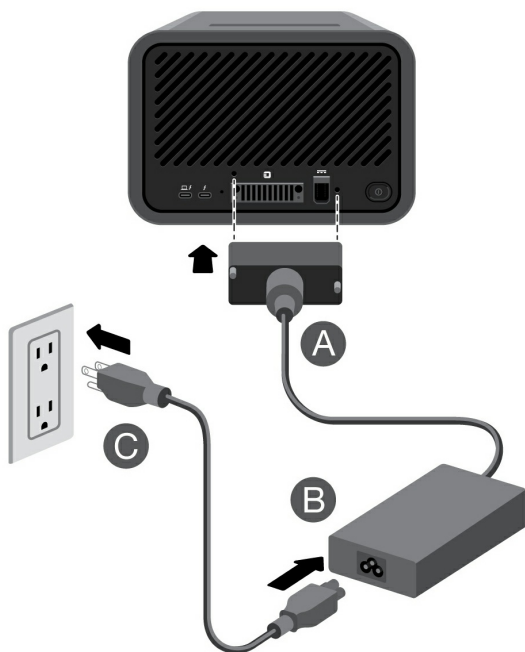
For high-speed mobile data transfers, connect Lyve Mobile Array using the Lyve Mobile PCIe Adapter. See the [Lyve Mobile Mount and PCIe Adapter user manual](#) or [Lyve Mobile Mount and PCIe Adapter - Front Loader user manual](#).

# Direct-Attached Storage (DAS) Connections

## Connect power

Connect the included power supply in the following order:

- A. Connect the power supply to Lyve Mobile Array's power input.
- B. Connect the power cord to the power supply.
- C. Connect the power cord to a live power outlet.



Use only the power supply provided with your device. Power supplies from other Seagate and third-party devices can damage Lyve Mobile Array.

## Connect to host computer

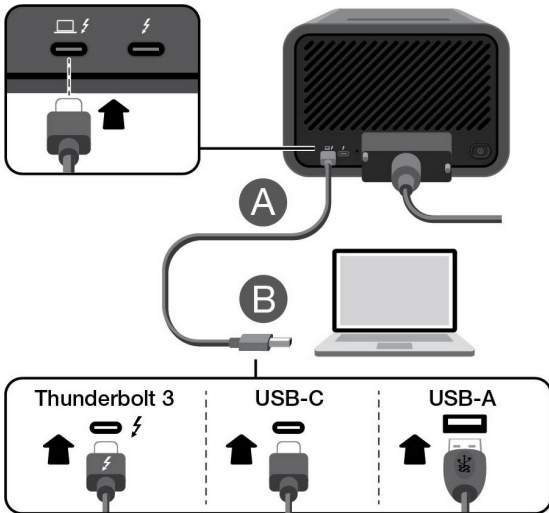
Lyve Mobile Array is shipped with three types of cables to connect to host computers. Review the following table for cable and host port options.

Cables	Host port
Thunderbolt 3	Thunderbolt 3, Thunderbolt 4

USB-C to USB-C	USB 3.1 Gen 1 or higher
USB-C to USB-A	USB 3.0 or higher

Connect Lyve Mobile Array to a computer in the following order:

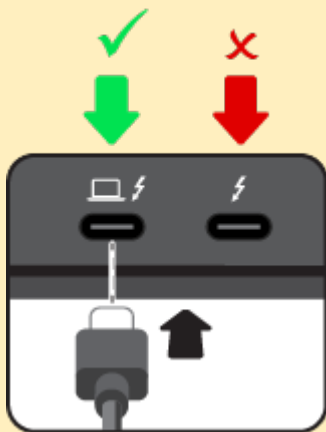
- A. Connect the Thunderbolt 3 cable to Lyve Mobile Array's Thunderbolt 3 host port located on the left side of the back panel.
- B. Connect the other end to an appropriate port on the host computer.



### Windows Prompt: Approve Thunderbolt Device

When you first connect Lyve Mobile Array to a Windows PC that supports Thunderbolt 3, you may see a prompt requesting to authenticate the recently connected device. Follow the onscreen prompts to approve the Thunderbolt connection to Lyve Mobile Array. For more details on Thunderbolt connectivity to your Windows PC, see the following [knowledge base article](#).

! If you are using a USB host and the Lyve Mobile Array status LED is illuminated with an amber chase pattern, make sure the cable is connected to Lyve Mobile Array's Thunderbolt 3/USB-C host port. **The host port is the USB-C port with the computer icon.** An amber chase pattern indicates that the computer is connected to the peripheral port.



## Unlock the device

The LED on the device blinks white during the boot process and turns solid orange. The solid orange LED color indicates the device is ready to be unlocked.



Once the device has been unlocked by a valid Lyve Portal Identity or Lyve Token file, the LED on the device turns solid green. The device is unlocked and ready for use.

## Power button

**Power on**—A direct connection to a computer is not required to power on Lyve Mobile Array. It automatically powers on when connected to a power outlet.

**Power off**—Before powering off Lyve Mobile Array, make certain to safely eject its volumes from the host computer. Apply a long press (3 seconds) to the power button to turn off Lyve Mobile Array.



If Lyve Mobile Array is off but still connected to power, you can turn Lyve Mobile Array back on by applying a short press (1 second) to the power button.

## Cycle power when switching connection types

Switching from one DAS connection type (Thunderbolt, USB, or PCIe Adapter) to another can result in missing volumes. Windows users can also experience a blue screen error.

To avoid these issues, use the following procedure when changing connection types:

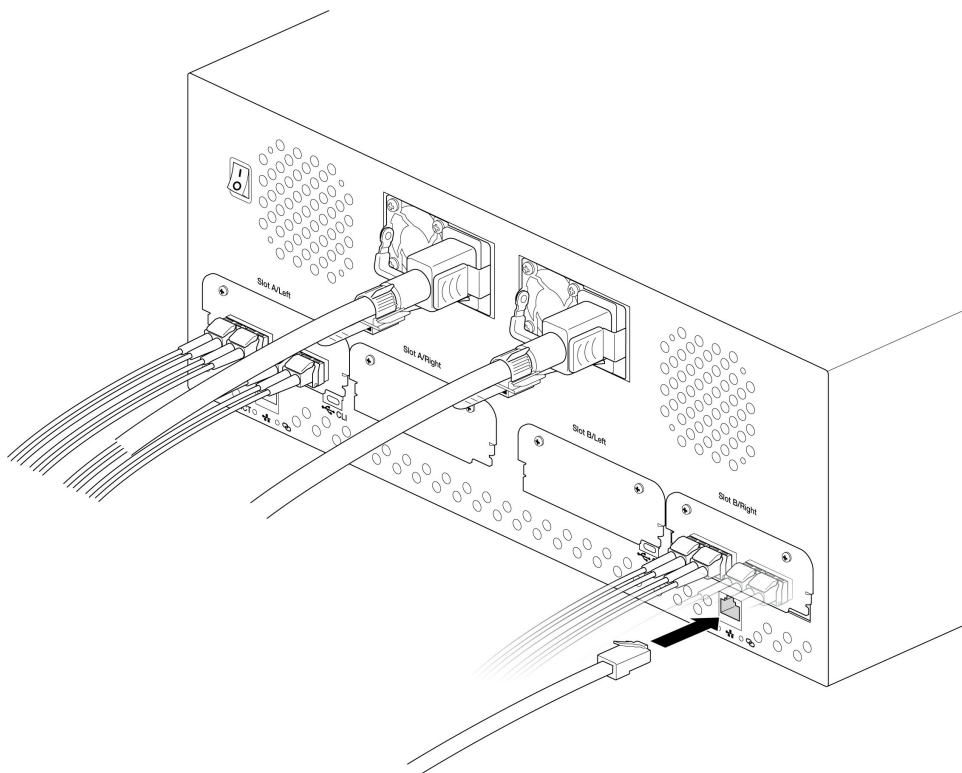
1. Safely eject the volume.
2. Power off Lyve Mobile Array.
3. Change the connection as needed.
4. Power on Lyve Mobile Array.

# Lyve Rackmount Receiver Connections

For details on configuring Seagate Lyve Rackmount Receiver for use with Lyve Mobile Array and other compatible devices, see the [Lyve Rackmount Receiver user manual](#).

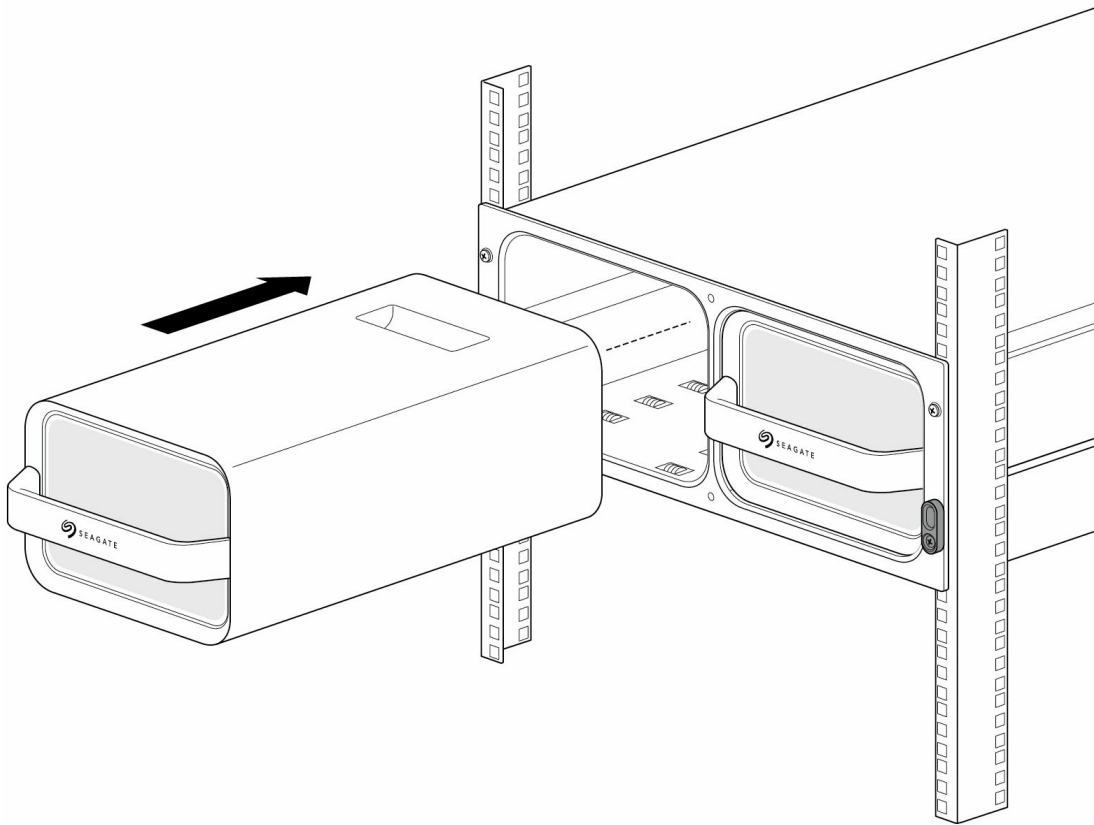
## Connect Ethernet port

Lyve Client communicates with devices inserted in Lyve Rackmount Receiver via the Ethernet management ports. Ensure that the Ethernet management ports are connected to the same network as the host devices running Lyve Client. If no device is inserted in a slot, there's no need to connect its corresponding Ethernet management port to the network.



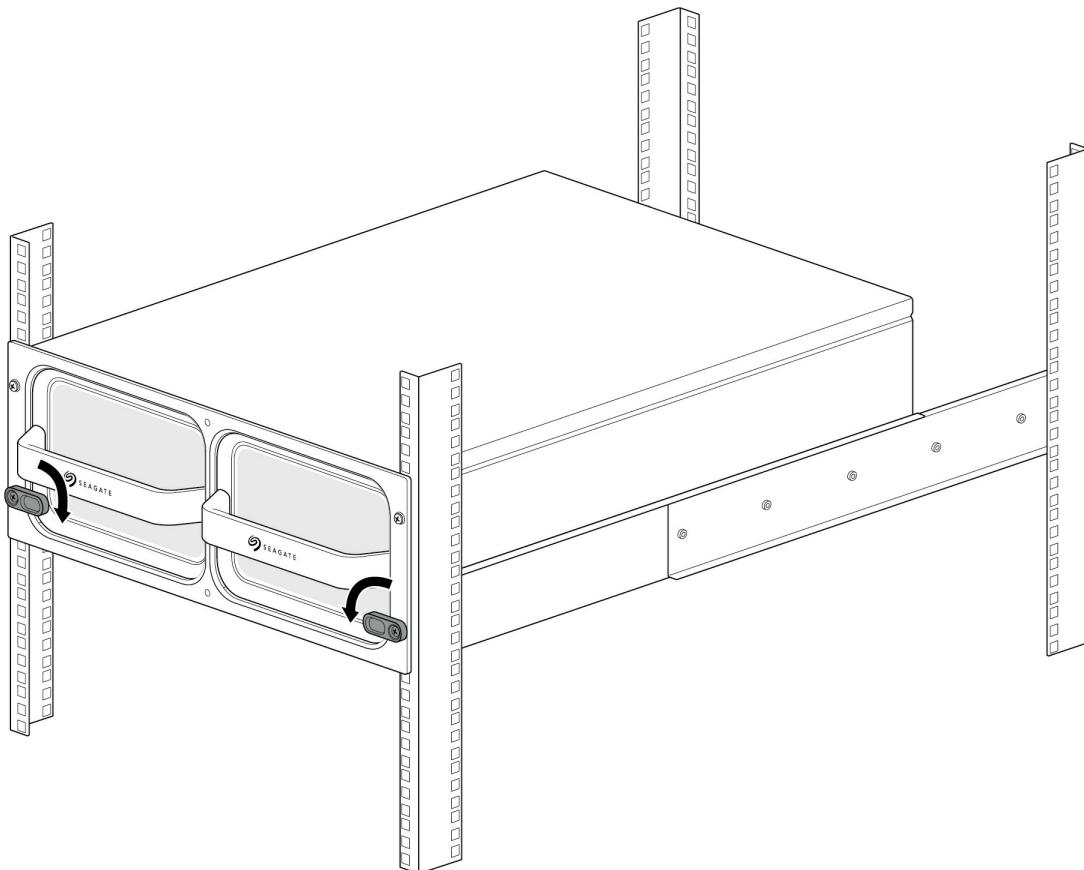
## Connect Lyve Mobile Array

Insert Lyve Mobile Array into slot A or B on Rackmount Receiver.



Slide device in until it's fully inserted and firmly connected to Rackmount Receiver's data and power.

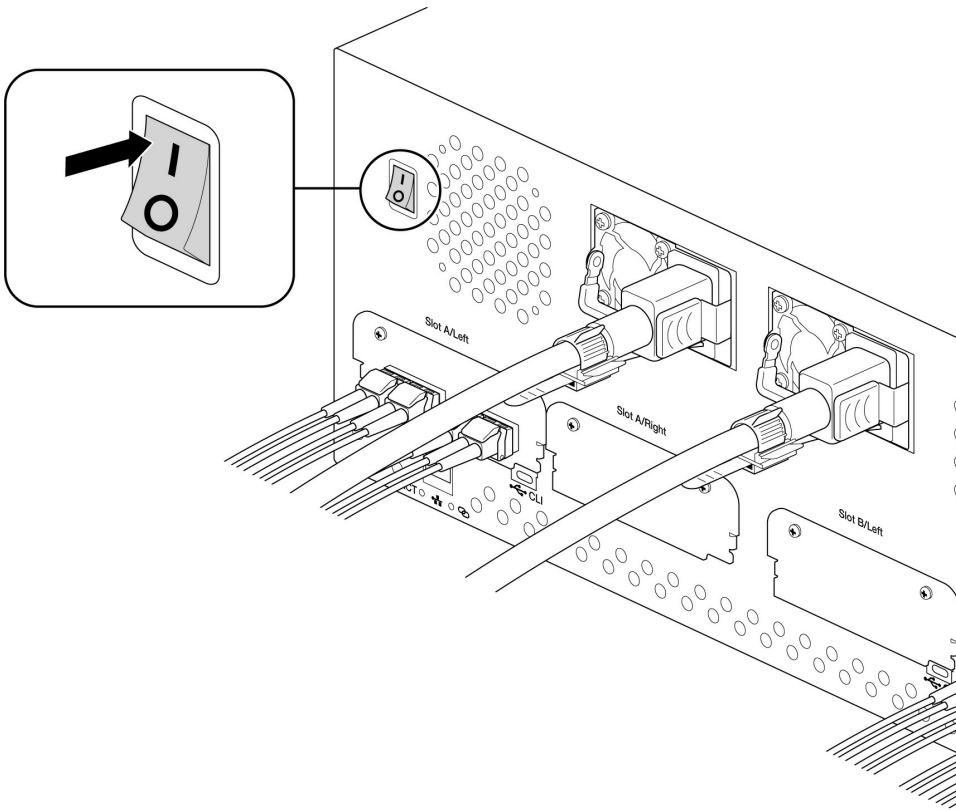
Close latches.





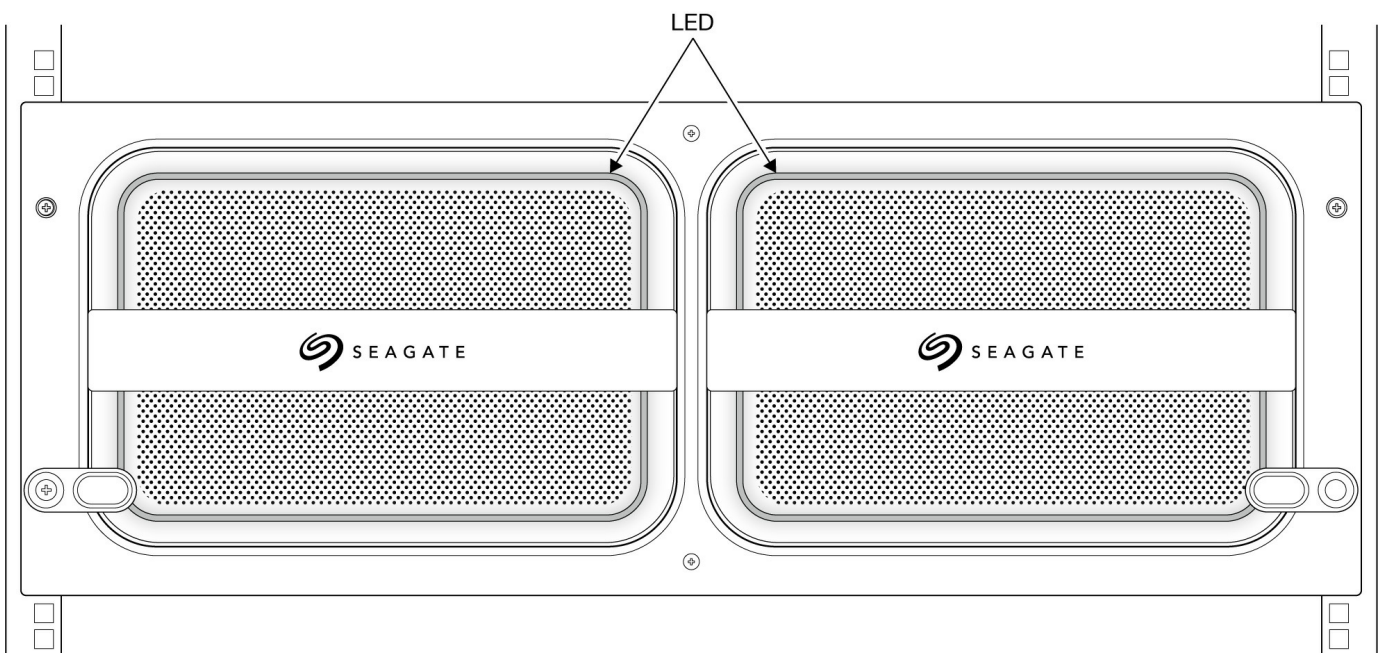
# Turn on power

Set the power switch on Lyve Mobile Rackmount Receiver to ON.



# Unlock the device

The LED on the device blinks white during the boot process and turns solid orange. The solid orange LED color indicates the device is ready to be unlocked.



Once the device has been unlocked by a valid Lyve Portal Identity or Lyve Token file, the LED on the device turns solid green. The device is unlocked and ready for use.

# 狀態 LED

機殼正面的 LED 燈代表裝置的狀態。關於各狀態的顏色和動作，請參閱以下鍵值。



## 鍵值

狀態	顏色 1	顏色 2	動作	說明
關閉	黑色	不適用	穩定	裝置電源關閉。
辨識	洋紅色	黑色	呼吸燈	Lyve Client 使用者已傳送提示以辨識裝置。
錯誤	紅色	不適用	穩定	回報發生錯誤。
警告	棕色	黃色	閃爍	回報警告。
手動關閉電源	亮綠色	黑色	漸弱	使用者啟動手動關閉電源流程。
硬碟機已鎖定	橘色	不適用	循環	鎖定硬碟機。
配置	藍色	不適用	穩定	Lyve Client 正在設定裝置。
擷取	亮綠色	不適用	循環	Lyve Client 正在複製/移動資料。
I/O	亮綠色	黑色	呼吸燈	輸入/輸出活動。
就緒	亮綠色	不適用	穩定	裝置可供使用。
開機	白色	黑色	閃爍	裝置正在啟動。

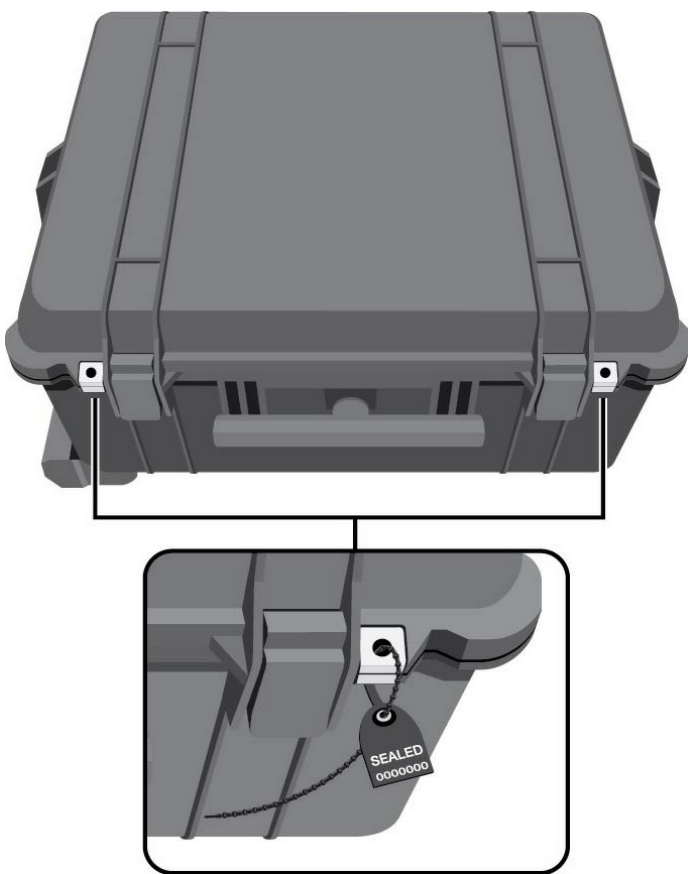
# Lyve Mobile Shipper

A shipping case is included with Lyve Mobile Array.



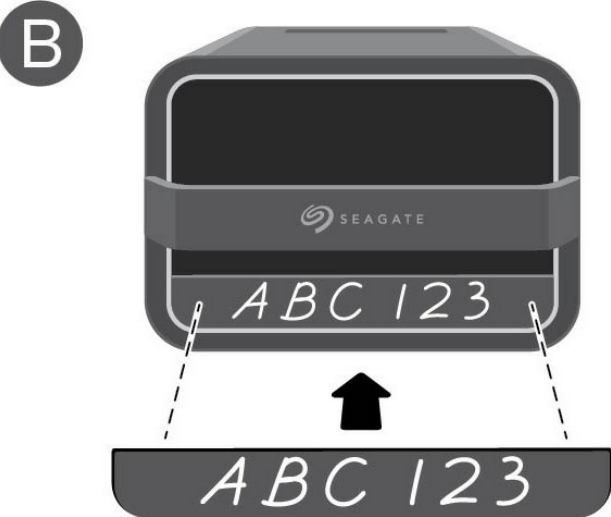
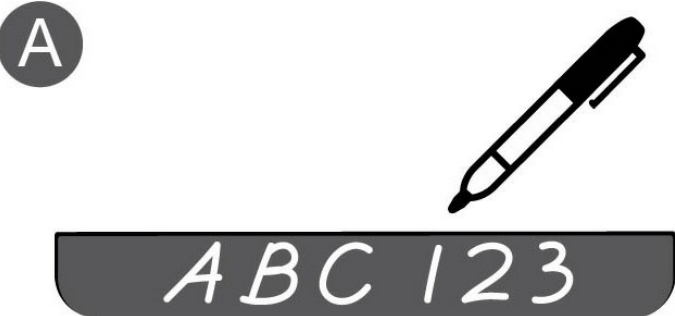
**Always use the case when transporting and shipping Lyve Mobile Array.**

For additional security, fasten the included beaded security tie to Lyve Mobile Shipper. The recipient knows the case was not tampered with in transit if the tie remains intact.



# Magnetic Labels

Magnetic labels can be placed on the front of Lyve Mobile Array to help identify individual devices. Use a marker or grease pencil to customize the labels.



# Regulatory Compliance

Product Name	Regulatory Model Number
Seagate Lyve Mobile Array	SMMA001

## FCC DECLARATION OF CONFORMANCE

This device complies with Part 15 of the FCC Rules. Operation is subject to the following two conditions: (1) this device may not cause harmful interference, and (2) this device must accept any interference received, including interference that may cause undesired operation.

## CLASS B

This equipment has been tested and found to comply with the limits for a Class B digital device, pursuant to Part 15 of the FCC Rules. These limits are designed to provide reasonable protection against harmful interference in residential installation. This equipment generates, uses, and can radiate radio frequency energy and, if not installed and used in accordance with the instructions, may cause harmful interference to radio communications. However, there is no guarantee that interference will not occur in a particular installation. If this equipment does cause harmful interference to radio or television reception, which can be determined by turning the equipment off and on, the user is encouraged to try to correct the interference by one or more of the following measures:

1. Reorient or relocate the receiving antenna.
2. Increase the separation between the equipment and receiver.
3. Connect the equipment into an outlet on a circuit different from that to which the receiver is connected.
4. Consult the dealer or an experienced radio/TV technician for help.

**CAUTION:** Any changes or modifications made to this equipment may void the user's authority to operate this equipment.

## VCCI-B

この装置は、クラスB機器です。この装置は、住宅環境で使用することを目的としていますが、この装置がラジオやテレビジョン受信機に近接して使用されると、受信障害を引き起こすことがあります。取扱説明書に従って正しい取り扱いをして下さい。VCCI-B

## China RoHS



China RoHS 2 refers to the Ministry of Industry and Information Technology Order No. 32, effective July 1, 2016, titled Management Methods for the Restriction of the Use of Hazardous Substances in Electrical and Electronic Products. To comply with China RoHS 2, we determined this product's Environmental Protection Use Period (EPUP) to be 20 years in accordance with the Marking for the Restricted Use of Hazardous Substances in Electronic and Electrical Products, SJT 11364-2014.

中国 RoHS 2 是指 2016 年 7 月 1 日起施行的工业和信息化部令第 32 号“电力电子产品限制使用有害物质管理办法”。为了符合中国 RoHS 2 的要求，我们根据“电子电气产品有害物质限制使用标识”(SJT 11364-2014) 确定本产品的环保使用期 (EPUP) 为 20 年。

部件名称 Part Name	有害物质 Hazardous Substances					
	铅 (Pb)	汞 (Hg)	镉 (Cd)	六价铬 (Cr <sup>6+</sup> )	多溴联苯 (PBB)	多溴二苯醚 (PBDE)
硬盘驱动器/固态驱动器 HDD/SSD	X	O	O	O	O	O
外接硬盘印刷电路板 Bridge PCBA	X	O	O	O	O	O
电源 (如果提供) Power Supply (if provided)	X	O	O	O	O	O
接口电缆 (如果提供) Interface cable (if provided)	X	O	O	O	O	O
其他外壳组件 Other enclosure components	O	O	O	O	O	O

本表格依据 SJ/T 11364 的规定编制。  
This table is prepared in accordance with the provisions of SJ/T 11364-2014

O: 表示该有害物质在该部件所有均质材料中的含量均在 GB/T 26572 规定的限量要求以下。  
O: Indicates that the hazardous substance contained in all of the homogeneous materials for this part is below the limit requirement of GB/T26572.

X: 表示该有害物质至少在该部件的某一均质材料中的含量超出 GB/T 26572 规定的限量要求。  
X: Indicates that the hazardous substance contained in at least one of the homogeneous materials used for this part is above the limit requirement of GB/T26572.

## Taiwan RoHS

Taiwan RoHS refers to the Taiwan Bureau of Standards, Metrology and Inspection's (BSMI's) requirements in standard CNS 15663, Guidance to reduction of the restricted chemical substances in electrical and electronic equipment. Beginning on January 1, 2018, Seagate products must comply with the "Marking of presence" requirements in Section 5 of CNS 15663. This product is Taiwan RoHS compliant. The following table meets the Section 5 "Marking of presence" requirements.

台灣RoHS是指台灣標準局計量檢驗局(BSMI)對標準CNS15663要求的減排電子電氣設備限用化學物質指引。從2018年1月1日起，Seagate產品必須符合CNS15663第5節「含有標示」要求。本產品符合台灣RoHS。下表符合第5節「含有標示」要求。

產品名稱:磁盤陣列,型號:SMMA001		Product Name: Lyve Mobile Array, Model: SMMA001					
單元 Unit		限用物質及其化學符號			Restricted Substance and its chemical symbol		
		鉛 (Pb)	汞 (Hg)	鎘 (Cd)	六價鉻 (Cr <sup>6+</sup> )	多溴聯苯 (PBB)	多溴二苯醚 (PBDE)
硬盤驅動器/固態驅動器	HDD/SSD	—	0	0	0	0	0
外接硬盤印刷電路板	Bridge PCBA	—	0	0	0	0	0
電源 (如果提供)	Power Supply (if provided)	—	0	0	0	0	0
傳輸線材 (如果提供)	Interface cable (if provided)	—	0	0	0	0	0
其他外殼組件	Other enclosure components	0	0	0	0	0	0
備考 1. “0” 係指該項限用物質之百分比含量未超出百分比含量基準值。 Note 1. “0” indicates that the percentage content of the restricted substance does not exceed the percentage of reference value of presence.							
備考 2. “—” 係指該項限用物質為排除項目。 Note 2. “—” indicates that the restricted substance corresponds to the exemption.							

額定電壓/額定電流: 20VDC = 13A 操作溫度: 5 - 40 °C

本設備勿置於潮濕處。 請將產品置於手冊規定的環境使用溫度,以避免過熱。 連接至電源前,請先檢查電壓。	當設備不用時,請將所有電源線拔除,避免電壓不穩而造成傷害。 勿將任何液體濺入設備中,避免線路短路。 請勿自行調整或修理已通電的設備,以確保您的安全。
--	--