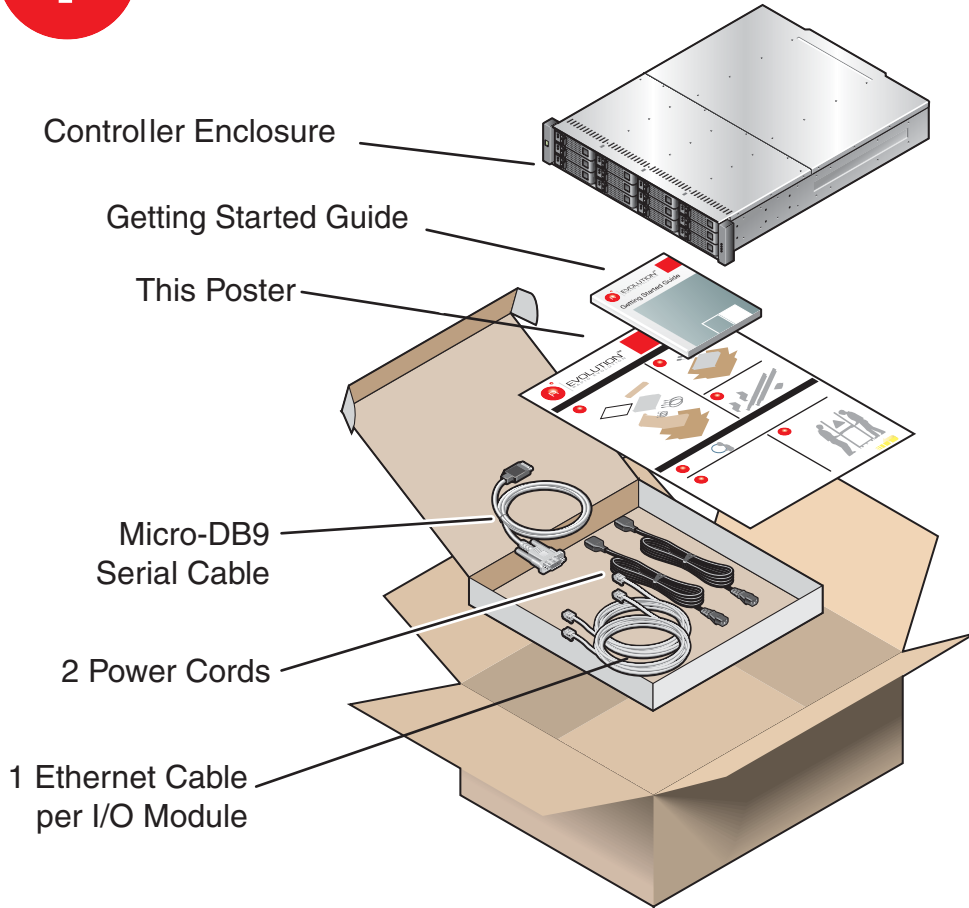


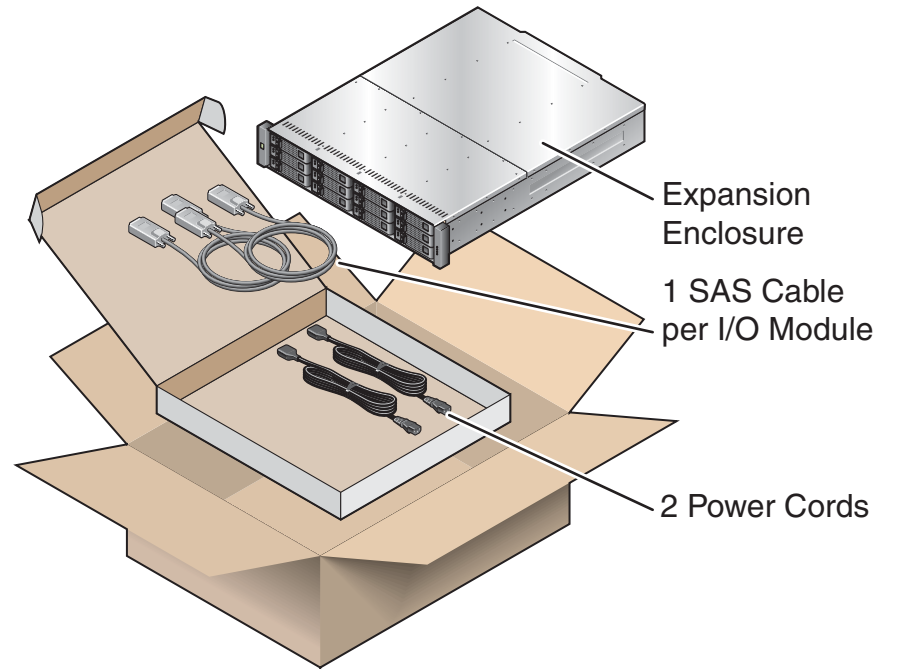


## SHIPMENT CONTENTS (Kits Ordered Separately)

### 1 Controller Kit

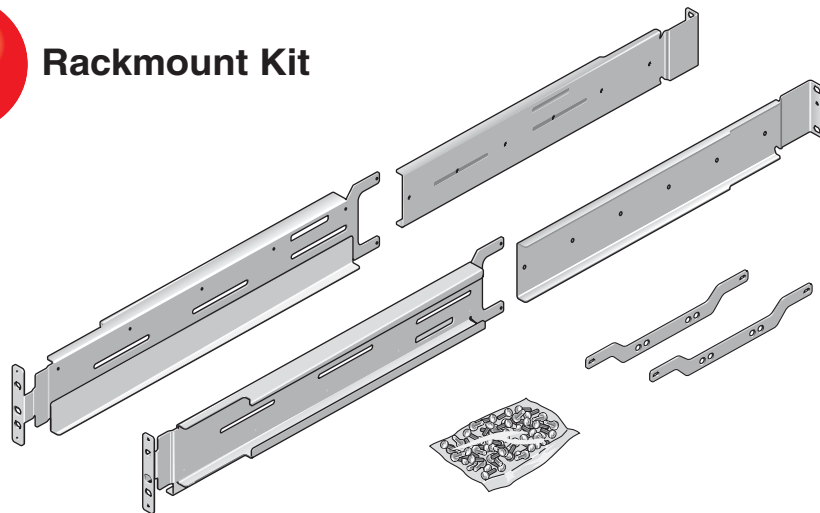


### 2 Expansion Kit

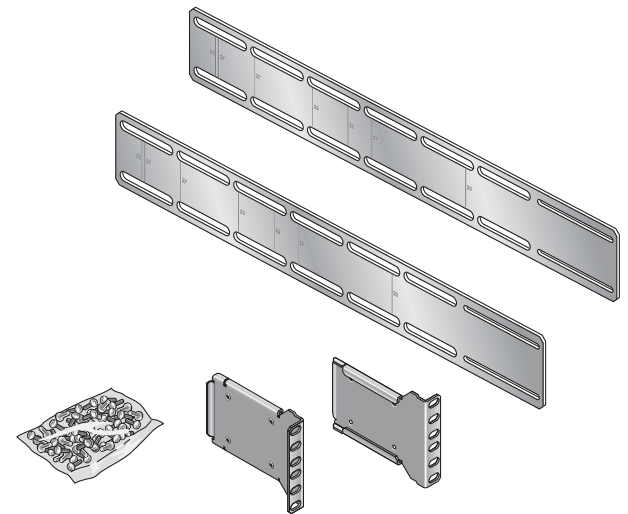


## Rackmount Kit (Optional)

### 3 Rackmount Kit



OR



If installation instructions are included with the rackmount bracket kit, follow them and ignore the rackmount instructions in the Getting Started Guide.

## INSTALLATION

### 4 Documentation

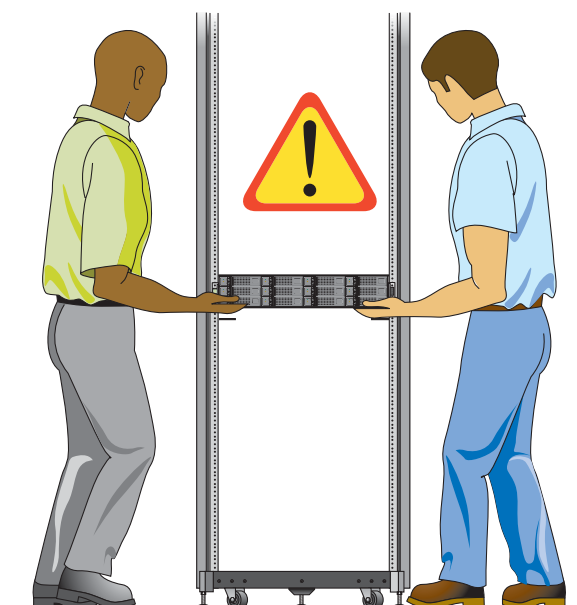


Download the R/Evolution documentation set from:  
<http://crc.dothill.com>

For step-by-step installation instructions, refer to Chapter 2 of the *Getting Started Guide*.

### 5 Rack Installation

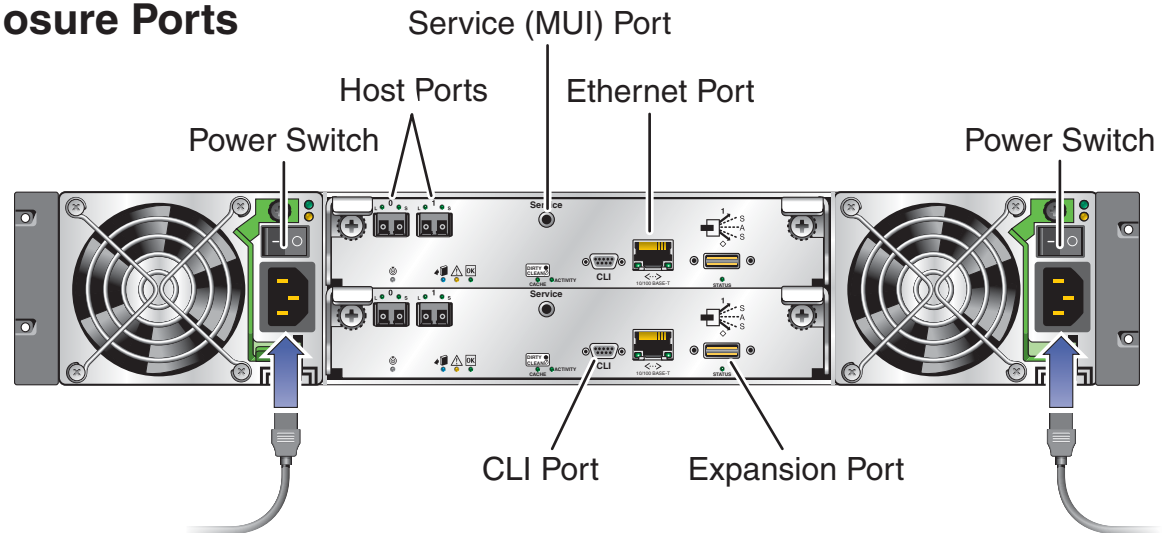
Controller Unit:  
65 lb (29.5 kg)  
Expansion Unit:  
63 lb (28.6 kg)



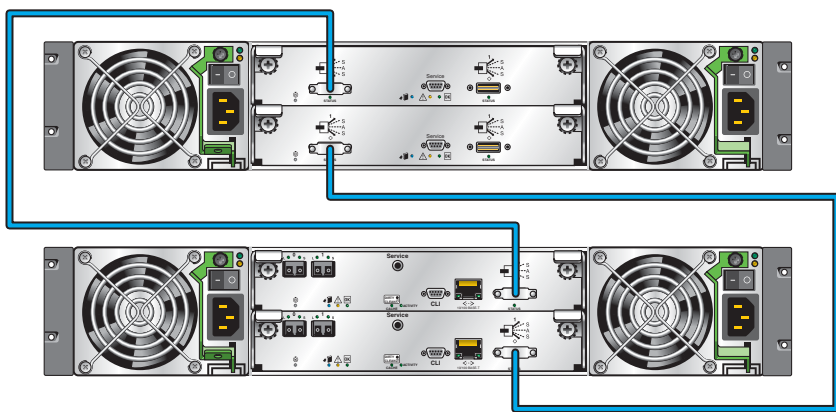


## CABLING AND INITIAL CONFIGURATION

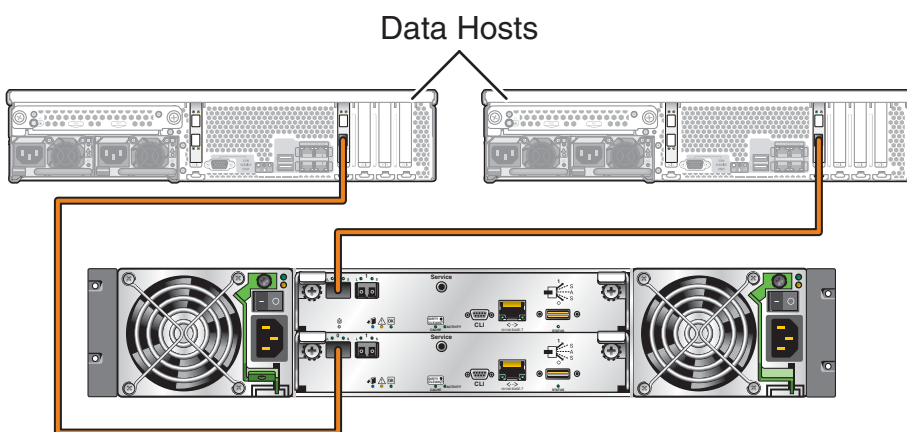
### 7 Controller Enclosure Ports



### 8 Expansion Enclosure Connection



### 9 Data Host FC Connection



### 10 Initial Configuration

