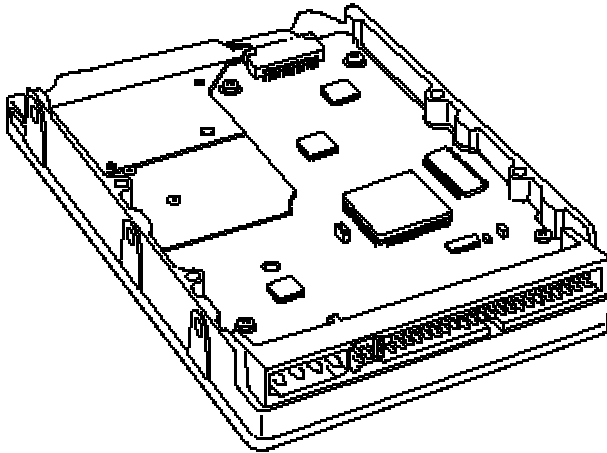


Fireball™ CR



Jumper Settings

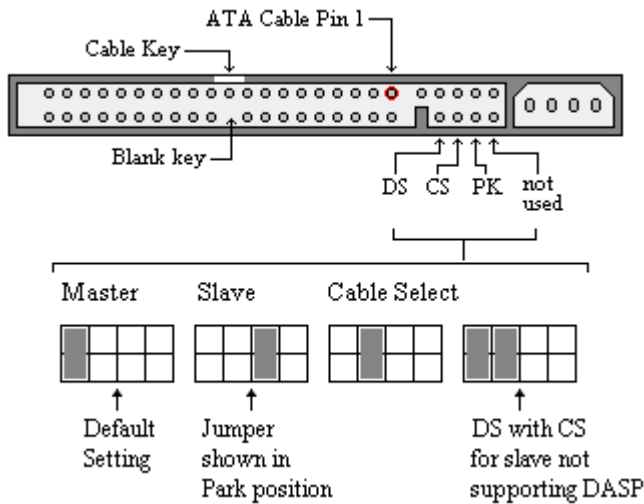
	DS	CS	PK	Rsvd
Stand Alone	ON	OFF	X	OFF
Master with Slave Present	ON	OFF	X	OFF
Slave to Master	OFF	OFF	X	OFF
Cable Select	OFF	ON	X	OFF

X = PK is a Parking position. The presence or absence of this jumper has no effect on the drive. Labeling may indicate to place this jumper when configuring as a slave. This is to provide for retention of the jumper in the event that it is needed later.

Jumper Locations

The Maxtor® Fireball™ CR disk drive has only one location where user configurable jumpers are found. The jumper block is incorporated into the IDE / ATA cable connector. Using the jumper pins you can establish the drive Master/Slave configuration.

The Maxtor Fireball CR was developed by Quantum Corporation prior to its merger with Maxtor.



BIOS Settings

The following BIOS parameters are provided for customers needing to manually configure the Fireball CR disk drive. Both base 2 and base 10 capacity values are displayed.

	Cylinders	Heads	Sectors	Base 2 Capacity	Base 10 Capacity
4.3 GB	14848	9	63	4,111 MB	4,310 MB
6.4 GB	13328	15	63	6,150 MB	6,449 MB
8.4 GB	16383	16	63	8,064 MB	8,455 MB
13.0 GB	25228	16	63	12,417 MB	13,020 MB

Special Considerations

Hard drives greater than 2.1GB may need to be divided into multiple partitions / logical drives. MS-DOS versions 4.0 through 6.22 allow a maximum primary partition / logical drive size of 2.1GB and are limited to 8.4GB in physical drive capacity. The file systems supported by Windows-95, Windows-98 and Windows NT are not restricted to the 8.4GB physical drive limit, but special BIOS support is required.

Hard drives greater than 8.4GB in capacity may be restricted to 8.4GB (or less) due to system BIOS limitations, operating system limitations, or both. Check with your system manufacturer to determine if your BIOS supports the correct extensions for hard drives greater than 8.4GB.

In order to achieve the Ultra ATA/66 transfer speed, you must have a system and BIOS that will support Ultra ATA/66. The correct drivers must be loaded, and an Ultra ATA specific data cable must be used. The Ultra ATA cables use the Cable Select method rather than a master / slave scheme, so the drive must be set with a jumper to enable Cable Select.

For further review:

- [ATA Configuration Card \(Includes Drive Mounting\)](#)
- [ATA Installation Flowchart](#)
- [ATA Installation Guide for Windows NT](#)
- [ATA Installation Guide for Windows95/98](#)
- [BIOS Support for logical cylinder values > 4095](#)
- [DOS/Windows 95 logical drive limitations](#)
- [Knowledge Base](#)
- [Ultra ATA/66 Bus Interface](#)
- [Ultra ATA/66 Compatibility with Award BIOS](#)
- [Windows NT 4.0 Capacity Issue](#)