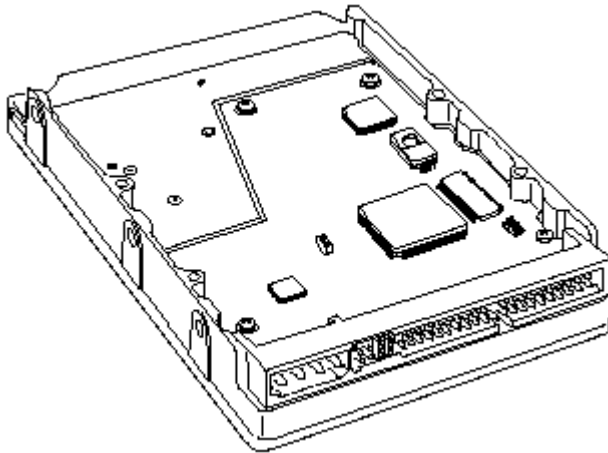


## Fireball™ Plus KA



### Jumper Settings

	<b>DS</b>	<b>CS</b>	<b>PK</b>	<b>Rsvd</b>
Stand Alone (Default)	ON	OFF	X	OFF
Master with Slave Present	ON	OFF	X	OFF
Slave to Master	OFF	OFF	X	OFF
Cable Select *	OFF	ON	X	OFF

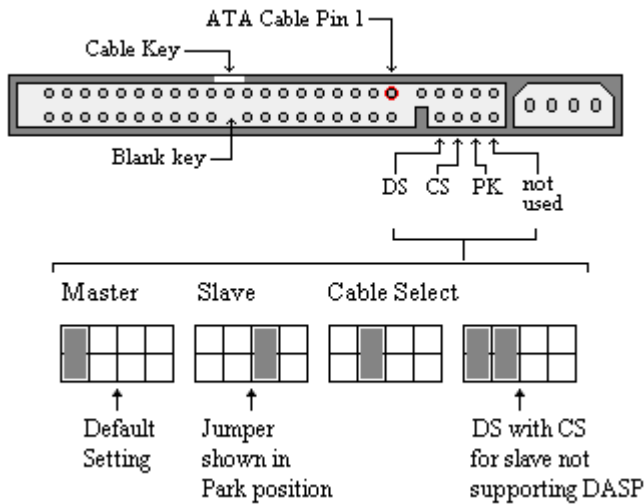
X= PK is a Parking position. The presence or absence of this jumper has no effect on the drive. Labeling may indicate to place this jumper when configuring as a slave. This is to provide for retention of the jumper in the event that it is needed later.

\*Note: Cable Select (CS) utilizes a special cable configuration where the drive setting (Master or Slave) is determined by its position on the 40-pin ATA cable. In this type of configuration both drives will have their jumper set to CS. Cable Select is utilized on some OEM systems and is typically required for systems utilizing Ultra ATA/66. For Ultra ATA/66 compliant cables, the master drive is placed on the outside (end) cable connector and the slave drive is placed on the intermediate cable connector.

### Jumper Locations

The Maxtor® Fireball™ Plus KA disk drive has only one location where user configurable jumpers are found. The jumper block is incorporated into the ATA / IDE cable connector. Using the jumper pins you can establish the drive Master/Slave configuration.

The Maxtor Fireball Plus KA was developed by Quantum Corporation prior to its merger with Maxtor.



### BIOS Settings

The following BIOS parameters are provided for customers needing to manually configure the Fireball Plus KA disk drive. Both base 2 and base 10 capacity values are displayed.

	<b>6.4 GB</b>	<b>9.1 GB</b>	<b>13.6 GB</b>	<b>18.2 GB</b>
Logical Cylinders	13,328	16,383 *	16,383 *	16,383 *
Logical Heads	15	16	16	16
Logical Sectors/Track	63	63	63	63
Total Logical Sectors	12,594,960	18,041,184	27,067,824	36,094,464
Base 10 Capacity	6,449 MB	9,237 MB	13,858 MB	18,480 MB
Base 2 Capacity	6,150 MB	8,809 MB	13,217 MB	17,624 MB

\*Note: Default Logical Cylinder value is limited to 16,383 as per the ATA-4 specification. Capacity may be restricted to 8.4GB (or less) due to system BIOS limitations. Check with your system manufacturer to determine if your BIOS supports LBA mode for ATA hard drives greater than 8.4GB.

### Special Considerations

Hard drives greater than 2.1GB may need to be divided into multiple partitions / logical drives. MS-DOS versions 4.0 through 6.22 allow a maximum primary partition / logical drive size of 2.1GB and are limited to 8.4GB in physical drive capacity. The file systems supported by Windows-95, Windows-98 and Windows NT are not restricted to the 8.4GB physical drive limit, but special BIOS support is required.

Hard drives greater than 8.4GB in capacity may be restricted to 8.4GB (or less) due to system BIOS limitations, operating system limitations, or both. Check with your system manufacturer to determine if your BIOS supports the correct extensions for hard drives greater than 8.4GB.

In order to achieve the Ultra ATA/66 transfer speed, you must have a system and BIOS that will support Ultra ATA/66. The correct drivers must be loaded, and an Ultra ATA specific data cable must be used. The Ultra ATA cables use the Cable Select method rather than a master / slave scheme, so the drive must be jumpered to enable Cable Select.

### For further review:

- [ATA Configuration Card \(Includes Drive Mounting\)](#)
- [ATA Installation Flowchart](#)
- [ATA Installation Guide for Windows NT](#)
- [ATA Installation Guide for Windows95/98](#)
- [BIOS Support for logical cylinder values > 4095](#)
- [DOS/Windows 95 logical drive limitations](#)
- [Knowledge Base](#)
- [Ultra ATA/66 Bus Interface](#)
- [Ultra ATA/66 Compatibility with Award BIOS](#)
- [Windows NT 4.0 Capacity Issue](#)