

A decorative graphic on the left side of the page, featuring a large dashed circle, a solid blue circle, and several overlapping curved lines in light blue and grey.

Product Manual

Momentum® 7200 FDE.1 SATA

ST9320424AS

ST9250424AS

ST9160414AS

ST9120414AS

ST9320424ASG

ST9250424ASG

ST9160414ASG

ST9120414ASG

ST980414ASG

100515958
Rev. B
July 2008

©2008, Seagate Technology LLC All rights reserved.

Publication number: 100515958, Rev. B

July 2008

Seagate, Seagate Technology and the Wave logo are registered trademarks of Seagate Technology LLC in the United States and/or other countries. Momentus, Seagate-SeaBOARD, SeaFONE, SeaTDD, and SeaTools are either trademarks or registered trademarks of Seagate Technology LLC or one of its affiliated companies in the United States and/or other countries. All other trademarks or registered trademarks are the property of their respective owners.

One gigabyte, or GB, equals one billion bytes and one terabyte, or TB, equals one trillion bytes when referring to hard drive capacity. Accessible capacity may vary depending on operating environment and formatting. Quantitative usage examples for various applications are for illustrative purposes. Actual quantities will vary based on various factors, including file size, file format, features and application software. Seagate reserves the right to change, without notice, product offerings or specifications.

Contents

1.0	Introduction	1
1.1	System requirements	1
1.2	About Momentus 7200 FDE.1 SATA disc drives	2
1.2.1	Drive state upon shipment	3
2.0	Drive specifications	5
2.1	Specification summary table	5
2.2	Formatted capacity	7
2.2.1	LBA mode	7
2.3	Default logical geometry	7
2.4	Physical organization	8
2.5	Recording and interface technology	8
2.6	Physical characteristics	8
2.7	Seek time	9
2.8	Start/stop times	9
2.9	Power specifications	10
2.9.1	Power consumption	10
2.9.2	Conducted noise	11
2.9.3	Voltage tolerance	11
2.9.4	Power-management modes	12
2.10	Environmental specifications	13
2.10.1	Ambient temperature	13
2.10.2	Temperature gradient	13
2.10.3	Humidity	13
2.10.4	Altitude	13
2.10.5	Shock	14
2.10.6	Vibration	14
2.11	Acoustics	15
2.12	Electromagnetic immunity	15
2.13	Reliability	17
2.13.1	Free Fall Protection feature	17
2.14	Agency certification	17
2.14.1	Safety certification	17
2.14.2	Electromagnetic compatibility	18
2.14.3	FCC verification	18
2.15	Environmental protection	20
2.15.1	European Union Restriction of Hazardous Substances (RoHS)	20
2.15.2	China Restriction of Hazardous Substances (RoHS) Directive	20
2.16	Corrosive environment	20
3.0	Configuring and mounting the drive	21
3.1	Handling and static-discharge precautions	21
3.2	Configuring the drive	22
3.3	Serial ATA cables and connectors	22
3.4	Drive mounting	23
3.5	Drive integration	24
3.5.1	Drive installation	25
3.5.2	Consumer usage	25
3.6	Security Erase--ATA security commands	25
3.6.1	Secure Erase procedure	25
3.6.2	Drive State after Secure Erase	25

4.0	Serial ATA interface	27
4.1	Hot-Plug compatibility	27
4.2	Serial ATA device plug connector pin definitions	27
4.2.1	ATA Security policy exceptions	29
4.2.2	DriveTrust Mode support	30
4.2.3	Full Disc Encryption support	31
4.2.4	Supported ATA commands	32
4.2.5	Identify Device command	36
4.2.6	Set Features command	39
4.2.7	S.M.A.R.T. commands	41
5.0	Compatibility summary	43
5.1	Installation considerations	43
5.2	System Compatibility using WIndows XP SP2	43
5.2.1	BIOS versions tested in ATA Security mode	43
5.2.2	DriveTrust compatibility verification	46
5.3	Operating system versions tested	49
5.4	Compatibility test configurations	50
6.0	Seagate Technology support services	51

List of Figures

Figure 1.	Typical +5V only startup and operation current profile	11
Figure 2.	Serial ATA connectors	22
Figure 3.	Attaching SATA cabling	22
Figure 4.	Mounting dimensions	23
Figure 5.	Momentum 7200 FDE.1 SATA drive label example	24

1.0 Introduction

This manual describes the functional, mechanical and interface specifications for the following Seagate Momentus® 7200 FDE.1 SATA model drives:

ST9320424AS	ST9320424ASG (includes Free Fall Sensor)
ST9250424AS	ST9250424ASG (includes Free Fall Sensor)
ST9160414AS	ST9160414ASG (includes Free Fall Sensor)
ST9120414AS	ST9120414ASG (includes Free Fall Sensor)
	ST980414ASG (includes Free Fall Sensor)

These drives provide the following key features:

- DriveTrust technology including:
 - Hardware-based Full Disc Encryption (FDE)
 - DriveTrust security interface and ATA security interface
 - Integrates with standard security software packages to provide features such as: Pre-boot authentication and initialization using the drive's secure partition and DriveTrust API
 - Encryption key escrow.
- 7,200-RPM spindle speed
- 16-Mbyte buffer.
- Free Fall Protection (on ST9320424ASG, ST9250424ASG, ST9160414ASG, ST9120414ASG and ST980414ASG models only)
- Quiet operation. Fluid Dynamic Bearing (FDB) motor.
- High instantaneous (burst) data transfer rates (up to 3 Gbits/sec).
- State-of-the-art cache and on-the-fly error-correction algorithms.
- Native Command Queuing (NCQ) with command ordering.
- Full-track multiple-sector transfer capability without local processor intervention.
- 1,000 Gs nonoperating shock and 350 Gs operating shock.
- SeaTools™ diagnostic software performs a drive self-test that eliminates unnecessary drive returns.
- Support for S.M.A.R.T. drive monitoring and reporting.
- Support for Read Multiple and Write Multiple commands.

1.1 System requirements

The following hardware and software is required to use these drives.

Host system requirements:

- Windows XP with Service Pack 2 (or later) when utilizing the Windows DriveTrust API.
- System/BIOS that supports ATA Security commands.

1.2 About Momentus 7200 FDE.1 SATA disc drives

Momentus® 7200 FDE.1 SATA drives contain DriveTrust technology providing Full Disc Encryption (FDE) using proven Advanced Encryption Standard (AES) data encryption and decryption.

You can elect to use Momentus 7200 FDE.1 SATA drives in one of two different security modes:

1. The ATA Security mode

To operate in ATA Security mode, you only need a host system and operating system that supports the existing ATA Security Command Set. The drive is shipped to operating in this mode, ready to use.

2. The DriveTrust Security mode

To enable a robust enterprise-level security and management policy, you may elect to operate in DriveTrust Security mode. To do so, you will need to use a third-party security application to manage the DriveTrust features. Please contact your system or software provider for more details.

Refer to the table below to determine which mode is best for your particular solution.

Table 1: Security feature matrix

			ATA Security mode	DriveTrust mode
Feature	Non-FDE drive without ATA Security enabled	Non-FDE drive with ATA Security enabled	FDE drive with ATA Security enabled	FDE drive operating in DriveTrust mode via third-party software
Password required to unlock	No	Yes	Yes	Yes
Full Disk Encryption	No	No	Yes	Yes
At speed encryption	No	No	Yes	Yes
Passwords stored securely	No	Yes	Yes	Yes
Quick erase	No	No	Yes	Yes
Preboot authentication	No	No	No	Yes
Master/User passwords	No	No	No	Yes

FDE drive feature list

- Automatically encrypts (and decrypts) all data on the drive
- Operations are performed with no measurable performance loss
- All user data is encrypted on write operations and decrypted on read operations

FDE benefits

- Drive-level protection of data
- Drives that are stolen, taken out of service, or re-purposed remain fully protected
- Near instantaneous disposal and re-purposing of the drive (ensures that data from previous user is not accessible by the new drive owner)
- Able to be deployed within a trusted computing environment

The drive encrypts every write operation and decrypts every read operation without user intervention. The encryption and decryption is done on the drive itself, so there is a near-zero performance impact when the drive writes and reads data. The performance-optimized encryption and decryption engine performs at the SATA interface speed.

The purpose of full disc encryption on the drive is to protect the data stored on the drive in the event that the host system is lost or stolen. This data at rest protection assures the system owner that if their system is lost or stolen, their data will not be accessible without the correct credentials.

Note. The system reauthenticates the user on powerup and when awakening from sleep mode. It is not necessary to power down to ensure that the system reauthenticates the user.

Having the encryption/decryption on the drive also provides the highest level of security for data because all data, including the boot sector bytes, operating system, temp and even the swap files are encrypted at the drive level.

1.2.1 Drive state upon shipment

Upon shipment from the Seagate factory, the ATA Security Interface is enabled and functioning. This is referred to as operating in ATA Security mode. The following is the detailed state of the drive upon shipment.

- Full Disc Encryption is active and functioning. All user data is encrypted on write and decrypted on read.
- The user interface to the drive is active and all read and write commands are allowed.
- The ATA user password is null (no value).
- The ATA master password is set to the Security ID (SID).
- ATA Security is set to the unlocked state. No password is required to access the drive.

Momentum 7200 FDE.1 SATA drives may be integrated into the computer system in the same way you would integrate a non-FDE Momentum drive.

The encryption key is enabled and operational when the drive leaves the Seagate factory. No user id is required to access the drive, so the data on the drive is accessible to anyone possessing the drive.

2.0 Drive specifications

Unless otherwise noted, all specifications are measured under ambient conditions, at 25°C, and nominal power.

2.1 Specification summary table

The specifications listed in this table are for quick reference. For details on specification measurement or definition, see the appropriate section of this manual.

Table 2: Drive specifications

Drive specification	ST9320424AS ST9320424ASG	ST9250424AS ST9250424ASG	ST9160414AS ST9160414ASG	ST9120414AS ST9120414ASG	ST980414ASG
Formatted Gbytes (512 bytes/sector)*	320	250	160	120	80
Guaranteed sectors	625,142,448	488,397,168	312,581,808	234,441,648	156,301,488
Bytes per sector	512				
Physical read/write heads	4	3	2	2	1
Discs	2	2	1	1	1
Cache (Mbytes)	16				
Recording density in BPI (bits/inch max)	1,334k				
Track density TPI (tracks/inch max)	190k				
Areal density (Gbits/inch ² max)	253				
Spindle speed (RPM)	7.200				
Internal transfer rate (Gbits/sec max)	1.1				
I/O data transfer rate (Gbits/sec max)	3.0				
ATA data-transfer modes supported	SATA 1.5/3.0, Serial ATA Revision 2.6 PIO modes 0–4 Multiword DMA modes 0–2 Ultra DMA modes 0–6				
Height (max)	9.5 +/- 0.2 mm (0.374 +/- .0078 inches)				
Width (max)	69.85 +/- .249 mm (2.75 +/- .0098 inches)				
Length (max)	100.3 +/- 0.25 mm (3.95 +/- .010 inches)				
Weight (typical)	110 grams (0.238 lb)		105 grams (0.227 lb)		
Average latency (msec)	4.17				
Power-on to ready (sec typical)	4.0				
Standby to ready (sec typical)	3.0				
Track-to-track seek time, read (msec typical)	1.0				
Average seek, read (msec typical)	11.0				
Average seek, write (msec typical)	13.0				
Startup current, +5V (max)	1.0 amps				
Seek power (typical)	2.3 watts				

Table 2: Drive specifications

Drive specification	ST9320424AS ST9320424ASG	ST9250424AS ST9250424ASG	ST9160414AS ST9160414ASG	ST9120414AS ST9120414ASG	ST980414ASG
Read power (typical)	2.1 watts				
Write power (typical)	2.3 watts				
Idle mode, low power (typical)	0.75 watts				
Standby mode	0.21 watts (typical)***				
Sleep mode	0.21 watts (typical)***				
Voltage tolerance (including noise)	+5V ± 5%				
Ambient temperature	0° to 60°C (operating), -40° to 70°C (nonoperating)				
Temperature gradient (°C per hour max)	20°C (operating) 35°C (nonoperating)				
Relative humidity	5% to 90% (operating) 5% to 95% (nonoperating)				
Relative humidity gradient	30% per hour max				
Wet bulb temperature (max)	30°C (operating) 40°C (nonoperating)				
Altitude, operating	-60.96 m to 3,048 m (-200 ft to 10,000+ ft)				
Altitude, nonoperating (meters below mean sea level, max)	-304.8 m to 12,192 m (-1000 ft to 40,000+ ft)				
Shock, operating (Gs max at 2 msec)	350				
Shock, nonoperating (Gs max at 2 msec)	800				
Shock, nonoperating (Gs max at 1 msec)	1,000				
Shock, nonoperating (Gs max at 0.5 msec)	600				
Vibration, operating	1.0 G (0 to peak, 5–500 Hz)				
Vibration, nonoperating	5 Gs (0 to peak, 5–500 Hz)				
Drive acoustics, sound power (bels)					
Idle**	2.3 (typical) 2.5 (max)				
Performance seek	2.6 (typical) 2.7 (max)				
Nonrecoverable read errors	1 per 10 ¹⁴ bits read				
Annualized Failure Rate (AFR)	0.48%				
Load/Unload (U/UL) cycles					
25°C, 50% relative humidity	600,000 software-controlled power on/off cycles 50,000 hard power on/off cycles				
32°C, 80% relative humidity	600,000 software-controlled power on/off cycles				
5°C, 80% relative humidity	50,000 hard power on/off cycles				
5°C, 10% relative humidity					
55°C, 16% relative humidity					
Warranty	5 years on distribution units. To determine the warranty for a specific drive, use a web browser to access the following web page: www.seagate.com/support/service/ From this page, click on the "Verify Your Warranty" link. You will be asked to provide the drive serial number, model number (or part number) and country of purchase. The system will display the warranty information for your drive.				
Supports Hotplug operation per Serial ATA Revision 2.5 specification	Yes (requires COMRESET from host after a hotplug event)				

*One Gbyte equals one billion bytes when referring to hard drive capacity. Accessible capacity may vary depending on operating environment

and formatting.

**During periods of drive idle, some offline activity may occur according to the S.M.A.R.T. specification, which may increase acoustic and power to operational levels.

***Typical notebooks will pull power to the drive when entering S3 and S4; while in the S3 and S4 states, drive sleep and drive standby modes will not contribute to battery power consumption.

2.2 Formatted capacity

Model	Formatted capacity*	Guaranteed sectors	Bytes per sector
ST9320424AS and ST9320424ASG	320 Gbytes	625,142,448	512
ST9250424AS and ST9250424ASG	250 Gbytes	488,397,168	512
ST9160414AS and ST9160414ASG	160 Gbytes	312,581,808	512
ST9120414AS and ST9120414ASG	120 Gbytes	234,441,648	512
ST980414ASG	80 Gbytes	156,301,488	512

*One Gbyte equals one billion bytes when referring to hard drive capacity. Accessible capacity may vary depending on operating environment and formatting.

2.2.1 LBA mode

When addressing these drives in LBA mode, all blocks (sectors) are consecutively numbered from 0 to $n-1$, where n is the number of guaranteed sectors as defined above.

See Section 4.2.5, "Identify Device command" (words 60-61 and 100-103) for additional information about 48-bit addressing support of drives with capacities over 137 Gbytes.

2.3 Default logical geometry

Cylinders	Read/write heads	Sectors per track
16,383	16	63

LBA mode

When addressing these drives in LBA mode, all blocks (sectors) are consecutively numbered from 0 to $n-1$, where n is the number of guaranteed sectors as defined above.

2.4 Physical organization

Drive model	Read/write heads	Number of discs
ST9320424AS and ST9320424ASG	4	2
ST9250424AS and ST9250424ASG	3	2
ST9160414AS and ST9160414ASG	2	1
ST9120414AS and ST9120414ASG	2	1
ST980414ASG	1	1

2.5 Recording and interface technology

Interface	Serial ATA (SATA)
Recording method	Perpendicular
Recording density BPI (bits/inch max)	1,334k
Track density TPI (tracks/inch max)	190k
Areal density (Gbits/inch ² max)	253
Spindle speed (RPM) (± 0.2%)	7,200
Maximum Internal transfer rate (Gbits/sec)	1.1
I/O data-transfer rate (Gbits/sec max)	3.0
Interleave	1:1
Cache buffer	16 Mbytes (16,384 kbytes)

2.6 Physical characteristics

Drive specification		
Height	(mm)	9.5 +/-0.2
	(inches)	0.374 +/-0.0078
Width	(mm)	69.85 +/-0.249
	(inches)	2.75 +/-0.0098
Length	(mm)	100.3 +/-0.25
	(inches)	3.95 +/-0.010
Typical weight		
ST9320424AS		110 grams
ST9320424ASG		0.238 pounds
ST9250424AS		
ST9250424ASG		
ST9160414AS		105 grams
ST9160414ASG		0.227 pounds
ST9120414AS		
ST9120414ASG		
ST980414ASG		

2.7 Seek time

Seek measurements are taken with nominal power at 25°C ambient temperature. All times are measured using drive diagnostics. The specifications in the table below are defined as follows:

- Track-to-track seek time is an average of all possible single-track seeks in both directions.
- Average seek time is a true statistical random average of at least 5,000 measurements of seeks between random tracks, less overhead.

Typical seek times (msec)	Read
Track-to-track	1.5
Average	11.0
Full-stroke	22.0
Average latency	4.17

Note. These drives are designed to consistently meet the seek times represented in this manual. Physical seeks, regardless of mode (such as track-to-track and average), are expected to meet the noted values. However, due to the manner in which these drives are formatted, benchmark tests that include command overhead or measure logical seeks may produce results that vary from these specifications.

2.8 Start/stop times

Time to ready	Typical	Max @ 25°C
Power-on to Ready (sec)	4.0	8.0
Standby to Ready (sec)	3.0	8.0

2.9 Power specifications

The drive receives DC power (+5V) through a native SATA power connector.

2.9.1 Power consumption

Power requirements for the drives are listed in table 3. Typical power measurements are based on an average of drives tested, under nominal conditions, at 25°C ambient temperature.

- **Spinup power**

Spinup power is measured from the time of power-on to the time that the drive spindle reaches operating speed.

- **Seek mode**

During seek mode, the read/write actuator arm moves toward a specific position on the disc surface and does not execute a read or write operation. Servo electronics are active. Seek mode power is measured based on three random seek operations every 100 msec. This mode is not typical.

- **Read/write power and current**

Read/write power is measured with the heads on track, based on three 63 sector read or write operations every 100 msec.

- **Idle mode power**

Idle mode power is measured with the drive up to speed, with servo electronics active and with the heads in a random track location.

- **Standby mode**

During Standby mode, the drive accepts commands, but the drive is not spinning, and the servo and read/write electronics are in power-down model

Table 3: DC power

Power dissipation	+5V input average (25° C)
Spinup (max)	1.0 amps
Seek	2.3 watts
Read	2.1 watts
Write	2.3 watts
Idle, performance*	1.4 watts
Idle, active*	1.0 watts
Idle, low power mode*	0.75 watts
Standby	0.21 watts
Sleep	0.21 watts

*During periods of drive idle, some offline activity may occur according to the S.M.A.R.T. specification, which may increase acoustic and power to operational levels.

2.9.1.1 Typical current profile

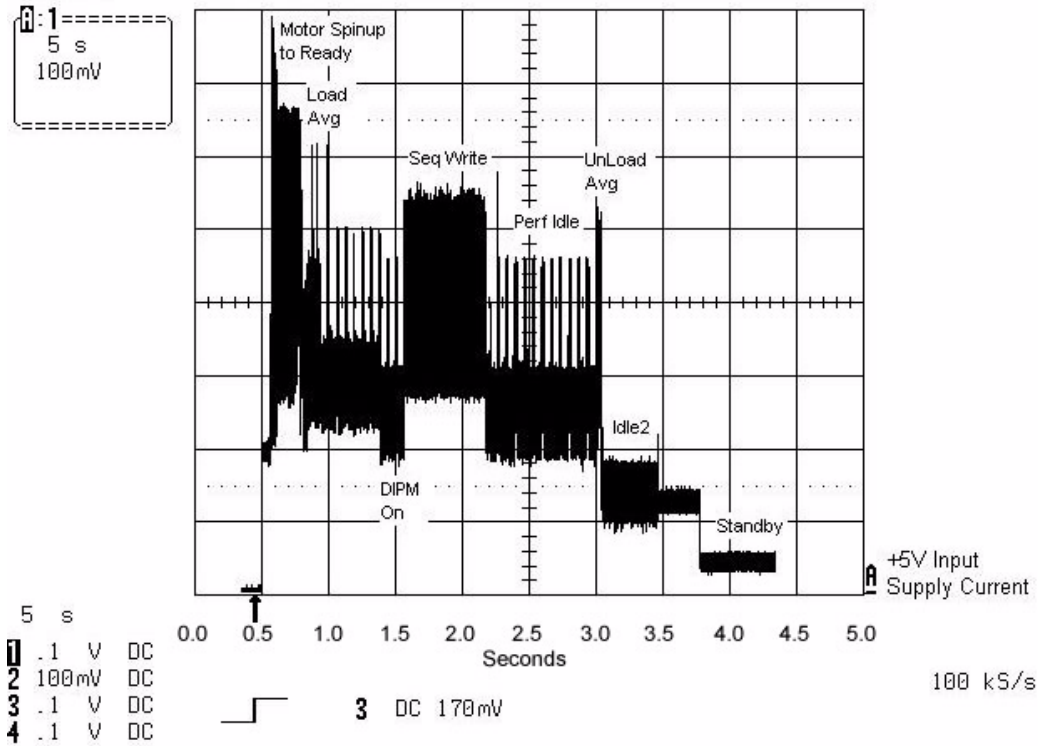


Figure 1. Typical +5V only startup and operation current profile

2.9.2 Conducted noise

Input noise ripple is measured at the host system power supply across an equivalent 15-ohm resistive load on the +5 volt line.

Using 5-volt power, the drive is expected to operate with a maximum of 100 mV peak-to-peak square-wave injected noise at up to 10 MHz.

Note. Equivalent resistance is calculated by dividing the nominal voltage by the typical RMS read/write current.

2.9.3 Voltage tolerance

Voltage tolerance (including noise):

5V ± 5%

2.9.4 Power-management modes

The drive provides programmable power management to provide greater energy efficiency. In most systems, you can control power management through the system setup program. The drive features the following power-management modes:

Table 4: Power management modes

Power modes	Heads	Spindle	Buffer
Active (operating)	Tracking	Rotating	Full power
Idle, performance	Tracking	Rotating	Self refresh—low power
Idle, active	Floating	Rotating	Self refresh—low power
Idle, low power	Parked	Rotating	Self refresh—low power
Standby	Parked	Stopped	Self refresh—low power
Sleep	Parked	Stopped	Self refresh—low power

- **Active mode**

The drive is in Active mode during the read/write and seek operations.

- **Idle mode**

The buffer remains enabled, and the drive accepts all commands and returns to Active mode any time disc access is necessary.

- **Standby mode**

The drive enters Standby mode when the host sends a Standby Immediate command. If the host has set the standby timer, the drive can also enter Standby mode automatically after the drive has been inactive for a specifiable length of time. The standby timer delay is established using a Standby or Idle command. In Standby mode, the drive buffer is in Self Refresh Low Power mode, the heads are parked and the spindle is at rest. The drive accepts all commands and returns to Active mode any time disc access is necessary.

- **Sleep mode**

The drive enters Sleep mode after receiving a Sleep command from the host. In Sleep mode, the drive buffer is in Self Refresh Low Power mode, the heads are parked and the spindle is at rest. The drive leaves Sleep mode after it receives a Hard Reset or Soft Reset from the host. After receiving a reset, the drive exits Sleep mode and enters Standby mode with all current translation parameters intact.

- **Idle and Standby timers**

Each time the drive performs an Active function (read, write or seek), the standby timer is reinitialized and begins counting down from its specified delay times to zero. If the standby timer reaches zero before any drive activity is required, the drive makes a transition to Standby mode. In both Idle and Standby mode, the drive accepts all commands and returns to Active mode when disc access is necessary.

2.10 Environmental specifications

2.10.1 Ambient temperature

Ambient temperature is defined as the temperature of the environment immediately surrounding the drive. Actual drive case temperature should not exceed 65°C (149°F) within the operating ambient conditions.

Above 1,000 feet (305 meters), the maximum temperature is derated linearly by 1°C every 1000 feet.

Operating	0° to 60°C (32° to 140°F)
Nonoperating	−40° to 70°C (−40° to 158°F)

2.10.2 Temperature gradient

Operating	20°C per hour (68°F per hour max), without condensation
Nonoperating	35°C per hour (95°F per hour max), without condensation

2.10.3 Humidity

2.10.3.1 Relative humidity

Operating	5% to 95% noncondensing (30% per hour max)
Nonoperating	5% to 95% noncondensing (30% per hour max)

2.10.3.2 Wet bulb temperature

Operating	37.7°C (99.8°F max)
Nonoperating	40°C (104°F max)

2.10.4 Altitude

Operating	−60.96 m to 3,048 m (−200 ft to 10,000+ ft)
Nonoperating	−304.8 m to 12,192 m (−1,000 ft to 40,000+ ft)

2.10.5 Shock

All shock specifications assume that the drive is mounted securely with the input shock applied at the drive mounting screws. Shock may be applied in the X, Y or Z axis.

Note. Additional shock protection is provided by the Free Fall Protection feature on ST9320424ASG, ST9250424ASG, ST9160414ASG, ST9120414ASG, and ST980414ASG models. See Section 2.13.1 for additional information about this feature.

2.10.5.1 Operating shock

These drives comply with the performance levels specified in this document when subjected to a maximum operating shock of 350 Gs based on half-sine shock pulses of 2 msec. Shocks should not be repeated more than two times per second.

2.10.5.2 Nonoperating shock

The nonoperating shock level that the drive can experience without incurring physical damage or degradation in performance when subsequently put into operation is 800 Gs based on a nonrepetitive half-sine shock pulse of 2 msec duration.

The nonoperating shock level that the drive can experience without incurring physical damage or degradation in performance when subsequently put into operation is 1,000 Gs based on a nonrepetitive half-sine shock pulse of 1 msec duration.

The nonoperating shock level that the drive can experience without incurring physical damage or degradation in performance when subsequently put into operation is 600 Gs based on a nonrepetitive half-sine shock pulse of 0.5 msec duration.

2.10.6 Vibration

All vibration specifications assume that the drive is mounted securely with the input vibration applied at the drive mounting screws. Vibration may be applied in the X, Y or Z axis.

2.10.6.1 Operating vibration

The maximum vibration levels that the drive may experience while meeting the performance standards specified in this document are specified below.

5–500 Hz	1.0 Gs (0 to peak). Max displacement may apply below 10 Hz.
----------	---

2.10.6.2 Nonoperating vibration

The maximum nonoperating vibration levels that the drive may experience without incurring physical damage or degradation in performance when subsequently put into operation are specified below.

5–500 Hz	5.0 Gs (0 to peak). Max displacement may apply below 22 Hz.
----------	---

2.11 Acoustics

Drive emission of sound is measured consistent with the ECMA-74 and its' referenced standards. Testing is conducted at room temperature (approximately 25°C). Emission levels are reported as the total A-weighted sound power levels for steady state, idle, and active seek modes of operation.

Idle*	Performance seek
2.3 bels (typ)	2.6 bels (typ)
2.5 bels (max)	2.7 bels (max)

*During periods of drive idle, some offline activity may occur according to the S.M.A.R.T. specification, which may increase acoustic and power to operational levels.

Test for Prominent Discrete Tones (PDTs)

Seagate follows the ECMA-74 standards for measurement and identification of PDTs. An exception to this process is the use of the absolute threshold of hearing. Seagate uses the lower limit for the threshold curve* to discern tone audibility and to compensate for the inaudible components of sound prior to computation of tone ratios according to Annex D of the ECMA-74 standards.

*Defined as the median curve given by ISO 389-7 (Tf curve) minus 10dB at all frequencies.

2.12 Electromagnetic immunity

When properly installed in a representative host system, the drive operates without errors or degradation in performance when subjected to the radio frequency (RF) environments defined in the following table:

Test	Description	Performance level	Reference standard
Electrostatic discharge	Contact, HCP, VCP: ± 4 kV; Air: ± 8 kV	B	EN 61000-4-2: 95
Radiated RF immunity	80 to 2,000 MHz, 10 V/m, 80% AM with 1 kHz sine 900 MHz, 3 V/m, 50% pulse modulation @ 200 Hz	A	EN 61000-4-3: 96 ENV 50204: 95
Electrical fast transient	± 1 kV on AC mains, ± 0.5 kV on external I/O	B	EN 61000-4-4: 95
Surge immunity	± 1 kV differential, ± 2 kV common, AC mains	B	EN 61000-4-5: 95
Conducted RF immunity	150 kHz to 80 MHz, 3 Vrms, 80% AM with 1 kHz sine	A	EN 61000-4-6: 97
Power Frequency H-field immunity	1 A/m, 50Hz/60Hz, 3 axes	A	EN 61000-4-8: 97
Voltage dips, interrupts	30% Reduction for 25 cycles >95% Reduction for 250 cycles >95%, 0.5 cycles	C C B	EN 61000-4-11: 94

2.13 Reliability

Measurement type	Specification
Nonrecoverable read errors	1 per 10 ¹⁴ bits read, max.
Annualized Failure Rate (AFR)	0.48%
Load/Unload (U/UL) 25°C, 50% relative humidity 32°C, 80% relative humidity 5°C, 80% relative humidity 5°C, 10% relative humidity 55°C, 16% relative humidity	 600,000 software-controlled power on/off cycles 50,000 hard power on/off cycles 600,000 software-controlled power on/off cycles 50,000 hard power on/off cycles
Warranty	5 years on distribution units. Important: When returning a drive for warranty support, if possible, you should provide the valid ATA Master password, or return the drive in the Security Erased state with the User Data Area accessible. If these recommendations are not followed, Seagate cannot access the drive to perform failure analysis to verify your warranty claim. To determine the warranty for a specific drive, use a web browser to access the following web page: www.seagate.com/support/service/ From this page, click on the “Verify Your Warranty” link. You will be asked to provide the drive serial number, model number (or part number) and country of purchase. The system will display the warranty information for your drive.

2.13.1 Free Fall Protection feature

The Free Fall Protection feature provides enhanced data protection against shock events that may occur while the drive is operating. This feature is designed to decrease the likelihood of data loss by detecting a free fall event and unloading the actuator before a shock takes place in falls of >8 inches (nominal). The drive uses a 0G sensor mounted on the printed circuit board assembly (PCBA) to sense this event.

To enable the Free Fall Protection feature on ST9320424ASG, ST9250424ASG, ST9160414ASG, ST9120414ASG, and ST980414ASG models, use Set Features command 41h. To disable this feature, use Set Features command C1h.

Information about Free Fall Events that have occurred is available through SMART Attribute FEh.

Note. The Free Fall Protection feature is provided only on ST9320424ASG, ST9250424ASG, ST9160414ASG, ST9120414ASG, and ST980414ASG models.

2.14 Agency certification

2.14.1 Safety certification

The drives are recognized in accordance with UL 1950 and CSA C22.2 (950) and meet all applicable sections of IEC950 and EN 60950 as tested by TUV North America.

2.14.2 Electromagnetic compatibility

Hard drives that display the CE mark comply with the European Union (EU) requirements specified in the Electromagnetic Compatibility Directive (89/336/EEC). Testing is performed to the levels specified by the product standards for Information Technology Equipment (ITE). Emission levels are defined by EN 55022, Class B and the immunity levels are defined by EN 55024.

Seagate uses an independent laboratory to confirm compliance with the EC directives specified in the previous paragraph. Drives are tested in representative end-user systems. Although CE-marked Seagate drives comply with the directives when used in the test systems, we cannot guarantee that all systems will comply with the directives. The drive is designed for operation inside a properly designed enclosure, with properly shielded I/O cable (if necessary) and terminators on all unused I/O ports. Computer manufacturers and system integrators should confirm EMC compliance and provide CE marking for their products.

Korean RRL

If these drives have the Korea Ministry of Information and Communication (MIC) logo, they comply with paragraph 1 of Article 11 of the Electromagnetic Compatibility control Regulation and meet the Electromagnetic Compatibility (EMC) Framework requirements of the Radio Research Laboratory (RRL) Ministry of Information and Communication Republic of Korea.

These drives have been tested and comply with the Electromagnetic Interference/Electromagnetic Susceptibility (EMI/EMS) for Class B products. Drives are tested in a representative, end-user system by a Korean-recognized lab.

- Certificate number: STX - Momentus 72003 (B)
- Trade name or applicant: Seagate Technology LLC
- Manufacturing date: April 23, 2008
- Manufacturer/nationality: USA and China

Australian C-Tick (N176)

If these models have the C-Tick marking, they comply with the Australia/New Zealand Standard AS/NZS3548 1995 and meet the Electromagnetic Compatibility (EMC) Framework requirements of the Australian Communication Authority (ACA).

2.14.3 FCC verification

These drives are intended to be contained solely within a personal computer or similar enclosure (not attached as an external device). As such, each drive is considered to be a subassembly even when it is individually marketed to the customer. As a subassembly, no Federal Communications Commission verification or certification of the device is required.

Seagate Technology LLC has tested this device in enclosures as described above to ensure that the total assembly (enclosure, disc drive, motherboard, power supply, etc.) does comply with the limits for a Class B computing device, pursuant to Subpart J, Part 15 of the FCC rules. Operation with noncertified assemblies is likely to result in interference to radio and television reception.

Radio and television interference. This equipment generates and uses radio frequency energy and if not installed and used in strict accordance with the manufacturer's instructions, may cause interference to radio and television reception.

This equipment is designed to provide reasonable protection against such interference in a residential installation. However, there is no guarantee that interference will not occur in a particular installation. If this equipment does cause interference to radio or television, which can be determined by turning the equipment on and off, you are encouraged to try one or more of the following corrective measures:

- Reorient the receiving antenna.
- Move the device to one side or the other of the radio or TV.

- Move the device farther away from the radio or TV.
- Plug the computer into a different outlet so that the receiver and computer are on different branch outlets.

If necessary, you should consult your dealer or an experienced radio/television technician for additional suggestions. You may find helpful the following booklet prepared by the Federal Communications Commission: *How to Identify and Resolve Radio-Television Interference Problems*. This booklet is available from the Superintendent of Documents, U.S. Government Printing Office, Washington, DC 20402. Refer to publication number 004-000-00345-4.

2.15 Environmental protection

Seagate designs its products to meet environmental protection requirements worldwide, including regulations restricting certain chemical substances.

2.15.1 European Union Restriction of Hazardous Substances (RoHS)

Seagate designs its products to meet environmental protection requirements worldwide, including regulations restricting certain chemical substances. A new law, the European Union Restriction of Hazardous Substances (RoHS) Directive, restricts the presence of chemical substances, including Lead, Cadmium, Mercury, Hexavalent Chromium, PBB and PBDE, in electronic products, effective July 2006. This drive is manufactured with components and materials that comply with the RoHS Directive.

2.15.2 China Restriction of Hazardous Substances (RoHS) Directive

中国限制危险物品的指令

This product has an Environmental Protection Use Period (EPUP) of 20 years. The following table contains information mandated by China's "Marking Requirements for Control of Pollution Caused by Electronic Information Products" Standard.



该产品具有20年的环境保护使用周期（EPUP）。下表包含了中国“电子产品所导致的污染的控制的记号要求”所指定的信息。

Name of Parts 部件名称	Toxic or Hazardous Substances or Elements 有毒有害物质或元素					
	Lead 铅 (Pb)	Mercury 汞 (Hg)	Cadmium 镉 (Cd)	Hexavalent Chromium 六价铬 (Cr6+)	Polybrominated Biphenyl 多溴联苯 (PBB)	Polybrominated Diphenyl Ether 多溴二苯醚 (PBDE)
PCBA	X	O	O	O	O	O
HDA	X	O	O	O	O	O

"O" indicates the hazardous and toxic substance content of the part (at the homogenous material level) is lower than the threshold defined by the China RoHS MCV Standard.

“O”表示该部件（于同类物品程度上）所含的危险和有毒物质低于中国RoHS MCV标准所定义的门槛值。

"X" indicates the hazardous and toxic substance content of the part (at the homogenous material level) is over the threshold defined by the China RoHS MCV Standard.

“X”表示该部件（于同类物品程度上）所含的危险和有毒物质超出中国RoHS MCV标准所定义的门槛值。

2.16 Corrosive environment

Seagate electronic drive components pass accelerated corrosion testing equivalent to 10 years exposure to light industrial environments containing sulfurous gases, chlorine and nitric oxide, classes G and H per ASTM B845. However, this accelerated testing cannot duplicate every potential application environment.

Users should use caution exposing any electronic components to uncontrolled chemical pollutants and corrosive chemicals as electronic drive component reliability can be affected by the installation environment. The silver, copper, nickel and gold films used in Seagate products are especially sensitive to the presence of sulfide, chloride, and nitrate contaminants. Sulfur is found to be the most damaging. In addition, electronic components should never be exposed to condensing water on the surface of the printed circuit board assembly (PCBA) or exposed to an ambient relative humidity greater than 95%. Materials used in cabinet fabrication, such as vulcanized rubber, that can outgas corrosive compounds should be minimized or eliminated. The useful life of any electronic equipment may be extended by replacing materials near circuitry with sulfide-free alternatives.

3.0 Configuring and mounting the drive

This section contains the specifications and instructions for configuring and mounting the drive.

Momentum® 7200 FDE.1 SATA drives may be connected to any computer system that supports a standard SATA interface.

You can elect to use Momentum 7200 FDE.1 SATA drives in one of two different security modes:

1. The ATA Security mode
To operate in ATA Security mode, you only need a host system and operating system that supports the existing ATA Security Command Set. The drive is shipped to operating in this mode, ready to use.
2. The DriveTrust Security mode
To enable a robust enterprise-level security and management policy, you may elect to operate in DriveTrust Security mode. To do so, you will need to use a third-party security application to manage the DriveTrust features. Please contact your system or software provider for more details.

Refer to Table 1 on page 2 to determine which mode is best for your particular solution.

Note. As with any disc drive, Seagate highly encourages consumers to consistently back up their data as well as the security pre-boot password, user name, and domain name on another storage device. Seagate is not responsible for lost or stolen authentication data such as passwords, user names, domain names, or any authentication data perceived to be inoperative, and as a consequence of lost or stolen passwords, user names, or domain names, Seagate cannot be held liable for data that cannot be retrieved from the drive due to inability to authenticate the user to the drive as required by the security pre-boot software.

3.1 Handling and static-discharge precautions

After unpacking, and before installation, the drive may be exposed to potential handling and electrostatic discharge (ESD) hazards. Observe the following standard handling and static-discharge precautions:

Caution:

- Keep the drive in the electrostatic discharge (ESD) bag until you are ready for installation to limit the drive's exposure to ESD.
- Before handling the drive, put on a grounded wrist strap, or ground yourself frequently by touching the metal chassis of a computer that is plugged into a grounded outlet. Wear a grounded wrist strap throughout the entire installation procedure.
- Handle the drive only by its edges or frame.
- The drive is fragile—handle it with care. Do not press down on the drive top cover.
- Always rest the drive on a padded, antistatic surface until you mount it in the computer.
- Do not touch the connector pins or the printed circuit board.
- Do not remove the factory-installed labels from the drive or cover them with additional labels. Removal voids the warranty. Some factory-installed labels contain information needed to service the drive. Other labels are used to seal out dirt and contamination.

- Do not obstruct the breather hole located on the top cover of the drive. Refer to Figure 4 for the exact location of this hole.

3.2 Configuring the drive

Each drive on the Serial ATA interface connects in a point-to-point configuration with the Serial ATA host adapter. There is no master/slave relationship because each drive is considered a master in a point-to-point relationships. If two drives are attached on one Serial ATA host adapter, the host operating system views the two devices as if they were both “masters” on two separate ports. This means both drives behave as if they are Device 0 (master) devices.

Serial ATA drives are designed for easy installation with no jumpers, terminators, or other settings. It is not necessary to set any jumpers on this drive for proper operation. The jumper block adjacent to the signal connector is for factory use only.

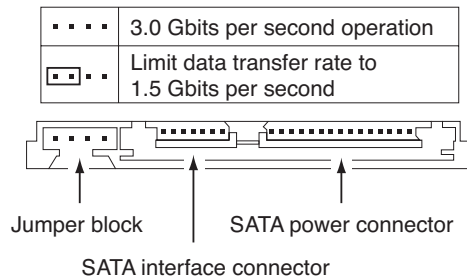


Figure 2. Serial ATA connectors

3.3 Serial ATA cables and connectors

The Serial ATA interface cable consists of four conductors in two differential pairs, plus three ground connections. The cable size may be 30 to 26 AWG with a maximum length of one meter (39.37 inches). See Table 5 for connector pin definitions. Either end of the SATA signal cable can be attached to the drive or host.

For direct backplane connection, the drive connectors are inserted directly into the host receptacle. The drive and the host receptacle incorporate features that enable the direct connection to be hot pluggable and blind mateable.

For installations which require cables, you can connect the drive as illustrated in Figure 3.

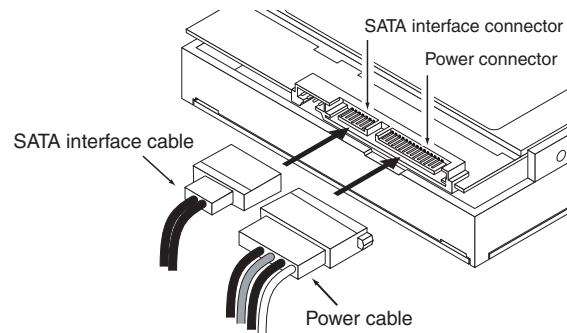


Figure 3. Attaching SATA cabling

Each cable is keyed to ensure correct orientation.

3.4 Drive mounting

You can mount the drive using four screws in the side-mounting holes or four screws in the bottom-mounting holes. See Figure 4 for drive mounting dimensions. Follow these important mounting precautions when mounting the drive:

- Allow a minimum clearance of 0.030 inches (0.76 mm) around the entire perimeter of the drive for cooling.
- Use only M3 UNC mounting screws.
- Do not overtighten the mounting screws. Maximum torque: 4.0 inch-lb (0.4519 N-m).
- Four (4) threads (0.080 inches, 2.032 mm) minimum screw engagement recommended.
- Avoid excessive drive distortion when mounting.

Measurements shown in Figure 4 are in inches.

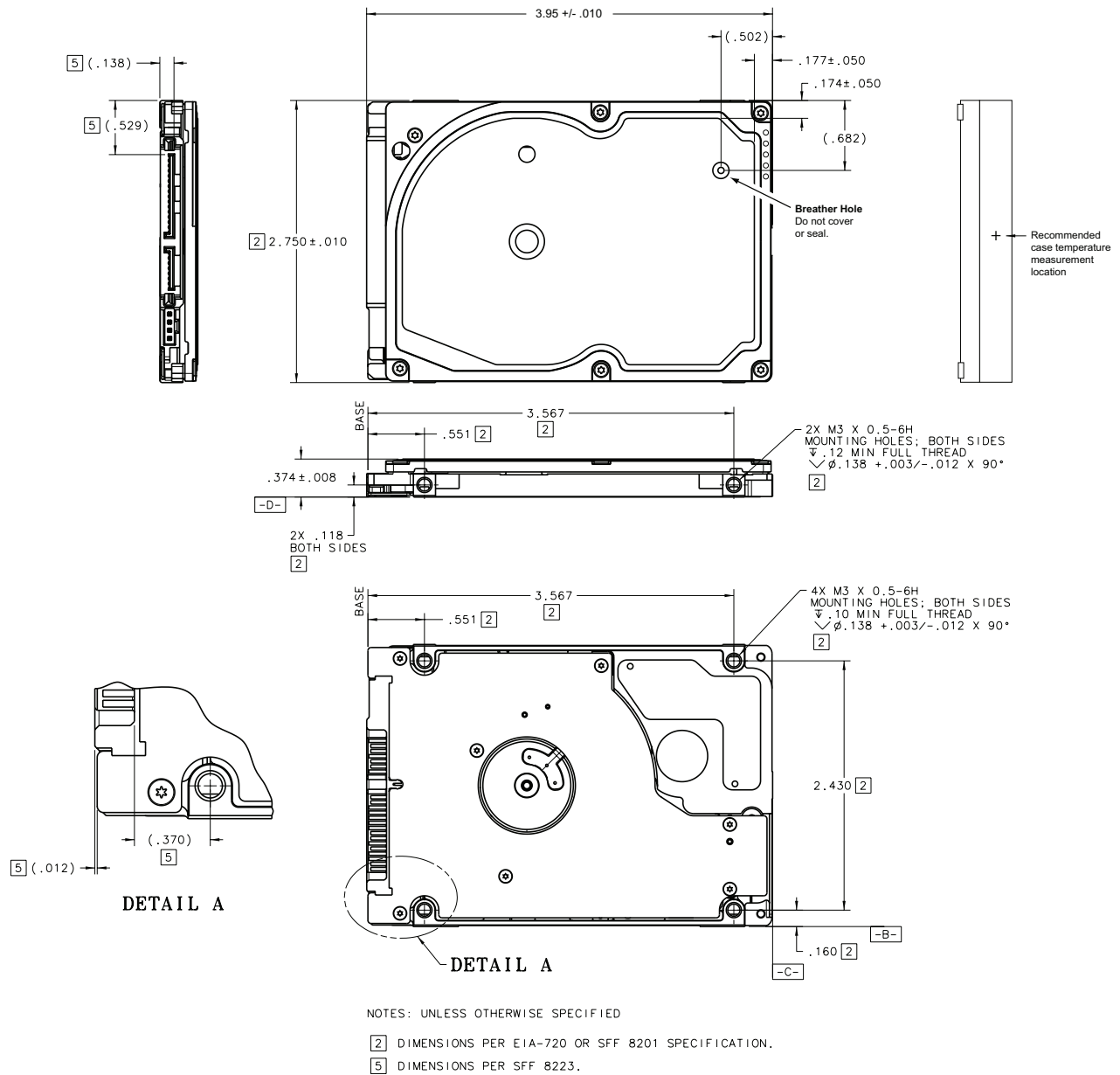


Figure 4. Mounting dimensions

3.5 Drive integration

Momentus 7200 FDE.1 SATA drives may be installed in the target computer system in exactly the same way as a non-FDE Momentus drive.



Figure 5. Momentus 7200 FDE.1 SATA drive label example

To install the drive in the system:

1. Remove the drive from the packaging material.
2. Install the drive in the computer system.
3. Load any desired images and operating system to the drive.
4. Install other components and options.
5. Set the original Master Password to a new value (see Section 1.2.1 for information about setting the SID) utilizing System/BIOS or third party software (optional).

No password is required to change the Master password when the drive is in the unlocked state.

The drive remains in the unlocked state until a User password is set.

After the installation procedure is complete, the computer is ready to be shipped to the customer.

Note. The manufacturer of the computer system (system integrator) does not have to enter any password. The installation procedure for the Momentus 7200 FDE.1 SATA is exactly the same as the Momentus 7200.3 SATA.

3.5.1 Drive installation

Upon receipt by the consumer, the drive's user interface is identical to a Momentus 7200.3 drive. The normal ATA security commands are functioning and available for initialization of the password as follows:

Per normal ATA Security Commands specifications, the drive is unlocked and all ATA security commands and all normal ATA commands may be issued.

1. Consumer accesses the computer manufacturer's BIOS set-up screen.
2. Consumer selects option to set User Password.
After setting the User password, the drive is now under access control (locked) and will require a password for future accesses.
3. Optional: Consumer selects the option to set the Master password from the BIOS choices.
4. Consumer exits the BIOS settings menu and continues with the boot process.
5. The BIOS enters the Security Freeze Command (F5) prior to exiting the boot sequence.

3.5.2 Consumer usage

After initialization, the consumer will just need to enter their User password each time the computer is booted according to the following description:

1. The computer system is turned on or the hardware is reset.
2. The drive reports to the BIOS that it is in the locked state per standard ATA Security Command reporting.
3. The BIOS queries the user for the password.
4. The BIOS supplies the password to the drive using the Security Unlock Command (F2).
5. The drive is unlocked and the BIOS may continue the booting process.
6. The BIOS enters the Security Freeze Lock Command (F5) prior to exiting the boot sequence.

Note. To ensure that the system reauthenticates the user, turn the laptop power off (shut down) rather than putting it in sleep mode. The system will authenticate the user at powerup.

3.6 Security Erase--ATA security commands

The Momentus 7200 FDE.1 SATA provides powerful features for cryptographically erasing the drive for disposal or repurposing. The drive uses the ATA Security Erase Prepare (F3) and ATA Security Erase (F4) commands to perform the cryptographic erase.

3.6.1 Secure Erase procedure

Using the Security Erase commands, the drive's cryptographic key can be replaced according to the following procedure:

1. Consumer boots up the computer normally according to the Consumer Usage section above.
2. Consumer invokes software or BIOS option for Erase.
3. The software or BIOS queries the user for either the User or Master password.
4. The software or BIOS issues the Security Erase Prepare (F3) command.
5. The software or BIOS issues the Security Erase Unit (F4) command.
Select the Enhanced erase for cryptographic key erasure that completes in less than one second.

3.6.2 Drive State after Secure Erase

Upon completion of the erase sequence, the existing cryptographic key is erased, rendering all existing data unintelligible, and the drive has been returned to the manufactured state as follows:

- The existing encryption key is deleted.

- A new random encryption key has been created on the drive.
- Encryption function is active and functioning.
The new key is used to encrypt all user data on write and decrypt on read.
- The user interface to the drive is active and all read and write commands are allowed.
- The ATA User password is reset to null (no value).
- The ATA Master password is not modified
The ATA Master password is the same value as it was before the erase.
- The ATA Security is set to the Unlocked state.
No password is required to access the drive.

The drive may now be disposed of safely, or the drive may be returned to service for another consumer following the initialization procedure defined above. Drives returned to Seagate for warranty purposes have special requirements. See the warranty information in Section 2.13 for additional details.

4.0 Serial ATA interface

These drives use the industry-standard Serial ATA (SATA) interface that supports FIS data transfers. It supports ATA programmed input/output (PIO) modes 0–4; multiword DMA modes 0–2, and Ultra DMA modes 0–6. The drive also supports the use of the IORDY signal to provide reliable high-speed data transfers.

For detailed information about the Serial ATA interface, refer to the “Serial ATA: High Speed Serialized AT Attachment” specification.

4.1 Hot-Plug compatibility

Momentum 7200 FDE.1 SATA drives incorporate connectors which enable you to hot plug these drives in accordance with the Serial ATA: High Speed Serialized AT Attachment specification revision 2.0. This specification can be downloaded from <http://www.serialata.org>. This device requires a COMRESET from the host after a hotplug event.

4.2 Serial ATA device plug connector pin definitions

Table 5 summarizes the signals on the Serial ATA interface and power connectors..

Table 5: Serial ATA connector pin definitions

Segment	Pin	Function	Definition
Signal	S1	Ground	2nd mate
	S2	A+	Differential signal pair A from Phy
	S3	A-	
	S4	Ground	2nd mate
	S5	B-	Differential signal pair B from Phy
	S6	B+	
	S7	Ground	2nd mate

Key and spacing separate signal and power segments

Power	P1	V ₃₃	3.3V power
	P2	V ₃₃	3.3V power
	P3	V ₃₃	3.3V power, pre-charge, 2nd mate
	P4	Ground	1st mate
	P5	Ground	2nd mate
	P6	Ground	2nd mate
	P7	V ₅	5V power, pre-charge, 2nd mate
	P8	V ₅	5V power
	P9	V ₅	5V power
	P10	Ground	2nd mate
	P11	Reserved	The pin corresponding to P11 in the backplane receptacle connector is also reserved The corresponding pin to be mated with P11 in the power cable receptacle connector shall always be grounded
	P12	Ground	1st mate.
	P13	V ₁₂	12V power, pre-charge, 2nd mate
	P14	V ₁₂	12V power
	P15	V ₁₂	12V power

Notes:

- All pins are in a single row, with a 1.27 mm (0.050") pitch.
- The comments on the mating sequence apply to the case of backplane blindmate connector only. In this case, the mating sequences are:
 - the ground pins P4 and P12.
 - the pre-charge power pins and the other ground pins.
 - the signal pins and the rest of the power pins.
- There are three power pins for each voltage. One pin from each voltage is used for pre-charge when installed in a blind-mate backplane configuration.
- All used voltage pins (V_x) must be terminated.

4.2.1 ATA Security policy exceptions

In the ATA Security Interface mode, the drive conforms to the ATA Security Policy, except the following desirable exceptions to implement the desired Momentus 7200 FDE.1 SATA behavior:

Upon execution of the secure erase sequence, the drive will have the following behavior:

- All secure erase modes will instantaneously delete the encryption key rendering all user data unintelligible.
- A new encryption key will be generated inside the drive replacing the previous encryption key.
- The new encryption/decryption key will be applied to the data for all subsequent writes/reads prior to the next secure erase sequence.
- The user password will be cleared to a null value.
- The master password will retain the current value per the ATA specification.

Note. On completion of this sequence, the user is assured that all sectors on the drive are unintelligible and the drive is returned to the default factory state. It is then immediately ready for disposal or repurposing.

The ATA Security Erase Unit Command provides for normal and enhanced erase modes as follows:

Table 6: ATA Security Erase Unit bits

Word	Content		
0	Control word		
	Bit 0	Identifier	0 = Compare User password
			1 = Compare Master password
	Bit 1	Erase mode	0 = Normal Erase
			1 = Enhanced Erase
	Bit (15:2)	Reserved	
1 - 16	Password (32 bytes)		
17 - 255	Reserved		

Choosing enhanced erase mode will simply perform the cryptographic erase described above, and return status almost immediately. This is the recommended option.

To maintain consistency with the ATA Security specification, Momentus 7200 FDE.1 SATA drives provide an option to perform the Normal Erase mode.

Choosing normal erase will result in the drive performing the cryptographic erase which is the same as choosing enhanced erase.

4.2.2 DriveTrust Mode support

Identify Page - Word 150 decimal (0x96h)- Bit 12 Identifies DriveTrust Support.

Value = 1 = DriveTrust is supported

Table 7: DriveTrust Identify Page

Ident Value	BIT set	Bit	Description
5	0	15	Vendor specific
	1	14	Vendor specific
	0	13	Vendor specific
	1	12	DriveTrust Enabled
0	0	11	Vendor specific
	0	10	Vendor specific
	0	9	Vendor specific
	0	8	Vendor specific
9	1	7	Vendor specific
	0	6	Vendor specific
	0	5	Vendor specific
	1	4	DriveTrust Supported
8	1	3	Vendor specific
	0	2	Vendor specific
	0	1	Vendor specific
	0	0	Vendor specific

4.2.3 Full Disc Encryption support

Identify Page--Word 243 decimal (0xF3h)--bit 14 indicates Full Disc Encryption capability.

1 = Full Disc Encryption supported.

Table 8: Full Disc Encryption Identify Page

Ident Value	BIT set	Bit	Description
4	0	15	Vendor specific
	1	14	Full Disc Encryption
	0	13	Vendor specific
	0	12	Vendor specific
0	0	11	Vendor specific
	0	10	Vendor specific
	0	9	Vendor specific
	0	8	Vendor specific
0	0	7	Vendor specific
	0	6	Vendor specific
	0	5	Vendor specific
	0	4	Vendor specific
0	0	3	Vendor specific
	0	2	Vendor specific
	0	1	Vendor specific
	0	0	Vendor specific

4.2.4 Supported ATA commands

The following table lists ATA-standard commands that the drive supports. For a detailed description of the ATA commands, refer to the Serial ATA: High Speed Serialized AT Attachment specification. See “S.M.A.R.T. commands” on page 41 for details and subcommands used in the S.M.A.R.T. implementation.

Table 9: Supported commands

Op Code	Command	ATA Security API			DriveTrust Security API	
		Locked	Unlocked	Frozen	Secure State	Authenticated State
Special Commands						
5C	TRUSTED RECEIVE (PIO)	Executable	Executable	Executable	Executable	Executable
5D	TRUSTED RECEIVE DMA	Executable	Executable	Executable	Executable	Executable
5E	TRUSTED SEND (PIO)	Executable	Executable	Executable	Executable	Executable
5F	TRUSTED SEND DMA	Executable	Executable	Executable	Executable	Executable
Normal Commands						
E5	CHECK POWER MODE	Executable	Executable	Executable	Executable	Executable
98	CHECK POWER MODE	Executable	Executable	Executable	Executable	Executable
51	CONFIGURE STREAM	Aborted	Executable	Executable	Aborted	Executable
B1	DEVICE CONFIGURATION	Aborted	Executable	Executable	Aborted	Executable
08	DEVICE RESET	Executable	Executable	Executable	Executable	Executable
92	DOWNLOAD MICROCODE	Aborted	Aborted	Aborted	Aborted	Aborted
90	EXECUTE DEVICE DIAGNOSTIC	Executable	Executable	Executable	Executable	Executable
E7	FLUSH CACHE	Aborted	Executable	Executable	Aborted	Executable
EA	FLUSH CACHE EXT	Aborted	Executable	Executable	Aborted	Executable
EC	IDENTIFY DEVICE	Executable	Executable	Executable	Executable	Executable
A1	IDENTIFY PACKET DEVICE	Executable	Executable	Executable	Executable	Executable
E3	IDLE	Executable	Executable	Executable	Executable	Executable
97	IDLE	Executable	Executable	Executable	Executable	Executable
E1	IDLE IMMEDIATE	Executable	Executable	Executable	Executable	Executable
95	IDLE IMMEDIATE	Executable	Executable	Executable	Executable	Executable
00	NOP	Executable	Executable	Executable	Executable	Executable
E4	READ BUFFER	Aborted	Executable	Executable	Aborted	Executable
C8	READ DMA	Aborted	Executable	Executable	Aborted	Executable
C9	READ DMA	Aborted	Executable	Executable	Aborted	Executable
25	READ DMA EXT	Aborted	Executable	Executable	Aborted	Executable

Table 9: Supported commands

Op Code	Command	ATA Security API			DriveTrust Security API	
		Locked	Unlocked	Frozen	Secure State	Authenticated State
2F	READ LOG EXT	Executable	Executable	Executable	Executable	Executable
C4	READ MULTIPLE	Aborted	Executable	Executable	Aborted	Executable
29	READ MULTIPLE EXT	Aborted	Executable	Executable	Aborted	Executable
F8	READ NATIVE MAX ADDRESS	Executable	Executable	Executable	Executable	Executable
27	READ NATIVE MAX ADDRESS EXT	Executable	Executable	Executable	Executable	Executable
20	READ SECTOR(S)	Aborted	Executable	Executable	Aborted	Executable
21	READ SECTOR(S)	Aborted	Executable	Executable	Aborted	Executable
24	READ SECTOR(S) EXT	Aborted	Executable	Executable	Aborted	Executable
2A	READ STREAM DMA EXT	Aborted	Executable	Executable	Aborted	Executable
2B	READ STREAM EXT	Aborted	Executable	Executable	Aborted	Executable
40	READ VERIFY SECTOR(S)	Aborted	Executable	Executable	Aborted	Executable
41	READ VERIFY SECTOR(S)	Aborted	Executable	Executable	Aborted	Executable
42	READ VERIFY SECTOR(S) EXT	Aborted	Executable	Executable	Aborted	Executable
10	RECALIBRATE	Executable	Executable	Executable	Executable	Executable
F6	SECURITY DISABLE PASSWORD	Aborted	Executable	Aborted	Aborted	Aborted
F3	SECURITY ERASE PREPARE	Executable	Executable	Aborted	Aborted	Aborted
F4	SECURITY ERASE UNIT	Executable	Executable	Aborted	Aborted	Aborted
F5	SECURITY FREEZE LOCK	Aborted	Executable	Executable	Aborted	Executable
F1	SECURITY SET PASSWORD	Aborted	Executable	Aborted	Aborted	Aborted
F2	SECURITY UNLOCK	Executable	Executable	Aborted	Executable	Executable
70	SEEK	Executable	Executable	Executable	Executable	Executable
91	SET DRIVE PARAMETERS	Executable	Executable	Executable	Executable	Executable
EF	SET FEATURES	Executable	Executable	Executable	Executable	Executable
F9 _H	SET MAX ADDRESS	Aborted	Executable	Executable	Aborted	Executable
F9 _H / 00 _H	SET MAX ADDRESS EXT	Aborted	Executable	Executable	Aborted	Executable
F9 _H / 01 _H	SET MAX SET PASSWORD	Aborted	Executable	Executable	Aborted	Executable
F9 _H / 02 _H	SET MAX LOCK	Aborted	Executable	Executable	Aborted	Executable

Table 9: Supported commands

Op Code	Command	ATA Security API			DriveTrust Security API	
		Locked	Unlocked	Frozen	Secure State	Authenticated State
F9 _H / 04 _H	SET MAX FREEZE LOCK	Aborted	Executable	Executable	Aborted	Executable
F9 _H / 03 _H	SET MAX UNLOCK	Aborted	Executable	Executable	Aborted	Executable
C6	SET MULTIPLE MODE	Executable	Executable	Executable	Executable	Executable
E6	SLEEP	Executable	Executable	Executable	Executable	Executable
99	SLEEP	Executable	Executable	Executable	Executable	Executable
B0 _H / D9 _H	SMART DISABLE OPERATIONS	Executable	Executable	Executable	Executable	Executable
B0 _H / D2 _H	SMART ENABLE/DISABLE AUTOSAVE	Executable	Executable	Executable	Executable	Executable
B0 _H / D8 _H	SMART ENABLE OPERATIONS	Executable	Executable	Executable	Executable	Executable
B0 _H / D4 _H	SMART EXECUTE OFF-LINE IMMEDIATE	Executable	Executable	Executable	Executable	Executable
B0 _H / 08 _H	SMART READ DATA	Executable	Executable	Executable	Executable	Executable
B0 _H / D5 _H	SMART READ LOG	Executable	Executable	Executable	Executable	Executable
B0 _H / DA _H	SMART RETURN STATUS	Executable	Executable	Executable	Executable	Executable
B0 _H / D6 _H	SMART WRITE LOG	Executable	Executable	Executable	Executable	Executable
E2	STANDBY	Executable	Executable	Executable	Executable	Executable
96	STANDBY	Executable	Executable	Executable	Executable	Executable
E0	STANDBY IMMEDIATE	Executable	Executable	Executable	Executable	Executable
94	STANDBY IMMEDIATE	Executable	Executable	Executable	Executable	Executable
E8	WRITE BUFFER	Aborted	Executable	Executable	Aborted	Executable
CA	WRITE DMA	Aborted	Executable	Executable	Aborted	Executable
CB	WRITE DMA	Aborted	Executable	Executable	Aborted	Executable
35	WRITE DMA EXT	Aborted	Executable	Executable	Aborted	Executable
3D	WRITE DMA FUA EXT	Aborted	Executable	Executable	Aborted	Executable
3F	WRITE LOG EXT	Aborted	Executable	Executable	Aborted	Executable
C5	WRITE MULTIPLE	Aborted	Executable	Executable	Aborted	Executable
39	WRITE MULTIPLE EXT	Aborted	Executable	Executable	Aborted	Executable
30	WRITE SECTOR(S)	Aborted	Executable	Executable	Aborted	Executable
31	WRITE SECTOR(S)	Aborted	Executable	Executable	Aborted	Executable
34	WRITE SECTOR(S) EXT	Aborted	Executable	Executable	Aborted	Executable

Table 9: Supported commands

Op Code	Command	ATA Security API			DriveTrust Security API	
		Locked	Unlocked	Frozen	Secure State	Authenticated State
3A	WRITE STREAM DMA EXT	Aborted	Executable	Executable	Aborted	Executable
3B	WRITE STREAM EXT	Aborted	Executable	Executable	Aborted	Executable

4.2.5 Identify Device command

The Identify Device command (command code EC_H) transfers information about the drive to the host following power up. The data is organized as a single 512-byte block of data, whose contents are shown in the table below. All reserved bits or words should be set to zero. Parameters listed with an “x” are drive-specific or vary with the state of the drive.

The following commands contain drive-specific features that may not be included in the Serial ATA specification.

Word	Description	Value
0	Configuration information: • Bit 15: 0 = ATA; 1 = ATAPI • Bit 7: removable media • Bit 6: removable controller • Bit 0: reserved	0C5A _H
1	Number of logical cylinders	16,383
2	ATA-reserved	0000 _H
3	Number of logical heads	16
4	Retired	0000 _H
5	Retired	0000 _H
6	Number of logical sectors per logical track: 63	003F _H
7–9	Retired	0000 _H
10–19	Serial number: (20 ASCII characters, 0000 _H = none)	ASCII
20	Retired	0000 _H
21	Retired	0400 _H
22	Obsolete	0000 _H
23–26	Firmware revision (8 ASCII character string, padded with blanks to end of string)	x.xx
27–46	Drive model number: (40 ASCII characters, padded with blanks to end of string)	ST9320424AS ST9250424AS ST9160414AS ST9120414AS ST9320424ASG ST9250424ASG ST9160414ASG ST9120414ASG ST980414ASG
47	(Bits 7–0) Maximum sectors per interrupt on Read multiple and Write multiple (16)	8001 _H
48	Reserved	0000 _H
49	Standard Standby timer, IORDY supported and may be disabled	2F00 _H
50	ATA-reserved	0000 _H
51	PIO data-transfer cycle timing mode	0200 _H
52	Retired	0200 _H

Word	Description	Value
53	Words 54–58, 64–70 and 88 are valid	0007 _H
54	Number of current logical cylinders	xxxx _H
55	Number of current logical heads	xxxx _H
56	Number of current logical sectors per logical track	xxxx _H
57–58	Current capacity in sectors	xxxx _H
59	Number of sectors transferred during a Read Multiple or Write Multiple command	xxxx _H
60–61	Total number of user-addressable LBA sectors. This field contains a value that is one greater than the total number of user-addressable sectors. The maximum value that shall be placed in this field is 0FFFFFFF _H . The 0FFFFFFF _H value applies to all capacities over 137 Gbytes (see Section 2.2 and 2.3 for related information).	ST9320424AS = 0FFFFFFF _H ST9320424ASG = 0FFFFFFF _H ST9250424AS = 0FFFFFFF _H ST9250424ASG = 0FFFFFFF _H ST9160414AS = 0FFFFFFF _H ST9160414ASG = 0FFFFFFF _H ST9120414AS = 234,441,648 ST9120414ASG = 234,441,648 ST980414ASG = 156,301,488
62	Retired	0000 _H
63	Multiword DMA active and modes supported (see note following this table)	xx07 _H
64	Advanced PIO modes supported (modes 3 and 4 supported)	0003 _H
65	Minimum multiword DMA transfer cycle time per word (120 nsec)	0078 _H
66	Recommended multiword DMA transfer cycle time per word (120 nsec)	0078 _H
67	Minimum PIO cycle time without IORDY flow control (240 nsec)	00F0 _H
68	Minimum PIO cycle time with IORDY flow control (120 nsec)	0078 _H
69–74	ATA-reserved	0000 _H
75	Queue depth	0000 _H
76	Serial ATA capabilities	0508 _H
77	ATA-reserved	0000 _H
78	Serial ATA features supported	0048 _H
79	Serial ATA features enabled	0040 _H
80	Major version number	003E _H
81	Minor version number	0000 _H
82	Command sets supported	346B _H
83	Command sets supported	7D09 _H
84	Command sets support extension	61E3 _H

Word	Description	Value
85	Command sets enabled	34xx _H
86	Command sets enabled	BC09 _H
87	Command sets enable extension	61E3 _H
88	Ultra DMA support and current mode (see note following this table)	xx7F _H
89	Security erase time	0001 _H
90	Enhanced security erase time	0001 _H
92	Master password revision code	FFFE _H
93	Hardware reset value (see description following this table)	xxxx _H
94	Auto acoustic management setting	xxxx _H
95–99	ATA-reserved	0000 _H
100–103	Total number of user-addressable LBA sectors available (see Section 2.2 for related information) These words are required for drives that support the 48-bit addressing feature. Maximum value: 0000FFFFFFFF _H .	ST9320424AS = 625,142,448 ST9320424ASG = 625,142,448 ST9250424AS = 488,397,168 ST9250424ASG = 488,397,168 ST9160414AS = 312,581,808 ST9160414ASG = 312,581,808 ST9120414AS = 234,441,648 ST9120414ASG = 234,441,648 ST980414ASG = 156,301,488
104–127	ATA-reserved	0000 _H
128	Security status	0021 _H
129–159	Seagate-reserved	xxxx _H
160–254	ATA-reserved	0000 _H
255	Integrity word	xxA5 _H

Note. See the bit descriptions below for words 63, 88, 93 and 94 of the Identify Drive data:

Description (if bit is set to 1)

	Bit	Word 63
	0	Multiword DMA mode 0 is supported.
	1	Multiword DMA mode 1 is supported.
	2	Multiword DMA mode 2 is supported.
	8	Multiword DMA mode 0 is currently active.
	9	Multiword DMA mode 1 is currently active.
	10	Multiword DMA mode 2 is currently active.
	Bit	Word 88
	0	Ultra DMA mode 0 is supported.

	1	Ultra DMA mode 1 is supported.
	2	Ultra DMA mode 2 is supported.
	3	Ultra DMA mode 3 is supported.
	4	Ultra DMA mode 4 is supported.
	8	Ultra DMA mode 0 is currently active.
	9	Ultra DMA mode 1 is currently active.
	10	Ultra DMA mode 2 is currently active.
	11	Ultra DMA mode 3 is currently active.
	12	Ultra DMA mode 4 is currently active.
	13	Ultra DMA mode 5 is currently active.
	Bit	Word 93
	13	1 = 80-conductor cable detected, CBLID above V _{IH} 0 = 40-conductor cable detected, CBLID below V _{IL}

4.2.6 Set Features command

This command controls the implementation of various features that the drive supports. When the drive receives this command, it sets BSY, checks the contents of the Features register, clears BSY and generates an interrupt. If the value in the register does not represent a feature that the drive supports, the command is aborted. Power-on default has the read look-ahead and write caching features enabled. The acceptable values for the Features register are defined as follows:

Table 10: Set Features command values

02 _H	Enable write cache (<i>default</i>).
03 _H	Set transfer mode (based on value in Sector Count register). Sector Count register values:
00 _H	Set PIO mode to default (PIO mode 2).
01 _H	Set PIO mode to default and disable IORDY (PIO mode 2).
08 _H	PIO mode 0
09 _H	PIO mode 1
0A _H	PIO mode 2
0B _H	PIO mode 3
0C _H	PIO mode 4 (<i>default</i>)
20 _H	Multiword DMA mode 0
21 _H	Multiword DMA mode 1
22 _H	Multiword DMA mode 2
40 _H	Ultra DMA mode 0
41 _H	Ultra DMA mode 1
42 _H	Ultra DMA mode 2
43 _H	Ultra DMA mode 3
44 _H	Ultra DMA mode 4
45 _H	Ultra DMA mode 5
46 _H	Ultra DMA mode 6
55 _H	Disable read look-ahead (read cache) feature.
82 _H	Disable write cache
AA _H	Enable read look-ahead (read cache) feature (<i>default</i>).
F1 _H	Report full capacity available

Note. At power-on, or after a hardware or software reset, the default values of the features are as indicated above.

4.2.7 S.M.A.R.T. commands

S.M.A.R.T. provides near-term failure prediction for disc drives. When S.M.A.R.T. is enabled, the drive monitors predetermined drive attributes that are susceptible to degradation over time. If self-monitoring determines that a failure is likely, S.M.A.R.T. makes a status report available to the host. Not all failures are predictable. S.M.A.R.T. predictability is limited to the attributes the drive can monitor. For more information on S.M.A.R.T. commands and implementation, see the *Draft ATA-5 Standard*.

SeaTools diagnostic software activates a built-in drive self-test (DST S.M.A.R.T. command for D4_H) that eliminates unnecessary drive returns. The diagnostic software ships with all new drives and is also available at: <http://seatools.seagate.com>.

This drive is shipped with S.M.A.R.T. features disabled. You must have a recent BIOS or software package that supports S.M.A.R.T. to enable this feature. The table below shows the S.M.A.R.T. command codes that the drive uses.

Table 11: S.M.A.R.T. commands

Code in features register	S.M.A.R.T. command
D0 _H	S.M.A.R.T. Read Data
D1 _H	Vendor-specific
D2 _H	S.M.A.R.T. Enable/Disable Attribute Autosave
D3 _H	S.M.A.R.T. Save Attribute Values
D4 _H	S.M.A.R.T. Execute Off-line Immediate (runs DST)
D7 _H	Vendor-specific
D8 _H	S.M.A.R.T. Enable Operations
D9 _H	S.M.A.R.T. Disable Operations
DA _H	S.M.A.R.T. Return Status

Note. If an appropriate code is not written to the Features Register, the command is aborted and 0x04 (abort) is written to the Error register.

5.0 Compatibility summary

5.1 Installation considerations

Many of today's mobile computers have been designed to make it possible for the end user to replace the hard drive. Refer to your system's user manual for the location of the hard drive compartment and the specific instructions regarding replacement. Refer to your system manufacturer's support website for the most up-to-date information. Read and follow all instructions regarding the proper steps to be taken when replacing the system hard drive.

Some mobile systems are sealed and require specialized tools to gain access to the hard drive. Special training or tools may be needed to service some mobile computers. In some cases, opening the case may void your warranty. Consult your system documentation. Seagate recommends taking your system to an authorized service technician to replace your hard drive.

5.2 System Compatibility using Windows XP SP2

Seagate Product Assurance has tested Momentus drives in systems using ATA Security mode. Testing included multiple BIOS versions and the Windows XP SP2 Pro operating system. This testing was done to demonstrate compatibility with various hardware and software configurations.

5.2.1 BIOS versions tested in ATA Security mode

The following list indicates the types of BIOS Seagate tested during the compatibility testing process. The list highlights the major BIOS manufacturers. Individual systems contain variations of these BIOS versions and were tested with regard to their implementation in the individual systems.

Table 12: Tested BIOS versions with Windows XP SP2

Manufacturer	Model	BIOS Vendor	BIOS Release	BIOS Version
AMD	K8	AMI	MSIA7207NMS	V3.00
AMD	K8	AMI	V02.59	
AMD	K8	AMI	VER 02.59	VER 08.00.13
AMD	K8	AWARD	6	P6
AMD	K8	AWARD	V1.B	11/28/2005
AMD	K8	AWARD	V6.00	P0
AMD	K8	AWARD	V6.00PG	
AMD	K8	AWARD	V6.00PG	11/17/2005
AMD	K8	HP	786B9	V2.00
AMD	K8	PHOENIX	AWARD	VER 6.00PG
AMD	K8	PHOENIX	6.00P	

Table 12: Tested BIOS versions with Windows XP SP2

Manufacturer	Model	BIOS Vendor	BIOS Release	BIOS Version
AMD	K8	PHOENIX	AWARD	V5.1.39
AMD	K8	PHOENIX	AWARD	V6.00PG
AMD	K8	PHOENIX	AWARD	
AMD	K8	PHOENIX	DELL	1.1.2
AMD	K8	PHOENIX	VER 2004Q3	
AMD	K8	PHOENIX		
ATI	0X5A31	INSYDE		R1.00
ATI	RS400-200	AMI	V02.59	
ATI	RS400-200	AMI	V0707	
ATI	RS480	AMERICAN MEGATRENDS	2/13/2006	
ATI	RS480	AMI	VER V3.1	
ATI	RS480	AWARD	3.13	11/15/2005
ATI	RS480	HP	VER1.09	11/22/2005
ATI	RS480	PHOENIX		V1.04
ATI	RS480	PHOENIX AWARD	V1.04	5/24/2005
INTEL	5000X	PHOENIX	DELL	A00
INTEL	865	GATEWAY	510A 15A.0027	
INTEL	865	GATEWAY	510A 15A.0043	
INTEL	865	GATEWAY	510A 15A.0045	
INTEL	865	GATEWAY	510A 15A.0066	
INTEL	865	HP	786B1	V1.14
INTEL	865	HP	786B2	2.43
INTEL	865	HP	786B2	V1.11
INTEL	865	HP	786B2	V2.04
INTEL	865	HP		1.11
INTEL	865	HP		786B2 V1.10
INTEL	865	IBM	2CKT20AUS	10/26/2004
INTEL	865	INTEL	510A.86A.0053	
INTEL	865	MICRON	510A.86A.003	
INTEL	865	MICRON	510A.86A.0033	
INTEL	865	PHOENIX	DELL	A04
INTEL	865	PHOENIX	DELL	A06
INTEL	865	PHOENIX	DELL	A08
INTEL	865	PHOENIX	DELL	A10
INTEL	865	PHOENIX		6
INTEL	875P	AWARD	4/23/2003	875P-6A79BG00C

Table 12: Tested BIOS versions with Windows XP SP2

Manufacturer	Model	BIOS Vendor	BIOS Release	BIOS Version
INTEL	875P	GATEWAY	510A.15A.0080	
INTEL	875P	HP	786B3	V1.09
INTEL	875P	MICRON	510A.86A.0076	
INTEL	875P	PHOENIX	DELL	A02
INTEL	875P	PHOENIX	DELL	A03
INTEL	915G/P	AMI	3.1	8.00.10 11/12/04
INTEL	915G/P	AMI	VVPGI635	5/6/2004
INTEL	915G/P	AMI	VVPGI635	
INTEL	915G/P	HP	786C1	V1.05
INTEL	915G/P	HP	786C2	V1.02
INTEL	915G/P	IBM		2/4/2005
INTEL	915G/P	MPC		EV91510A.86A.0308
INTEL	915G/P	PHOENIX	AWARD BIOS 6.00PG	R01-03
INTEL	915G/P	PHOENIX	DELL	A01
INTEL	915G/P	PHOENIX	DELL	A03
INTEL	915G/P	PHOENIX	DELL	A05
INTEL	915M	AMI		R0060F2
INTEL	915M	IBM		1.03A (77ET40WW)
INTEL	915M	PHOENIX	30/05/2005	1.05
INTEL	915M	PHOENIX	PHOENIX BIOS	1.06
INTEL	915M	PHOENIX		1.07
INTEL	915M	PHOENIX		R0071V0
INTEL	915M	PHOENIX		R0160X5
INTEL	925X	HP	786C3	V1.04
INTEL	925X	PHOENIX	DELL	A06
INTEL	945G/P	AWARD	NT94510J.86A.2487.2005.0906.1451	
INTEL	945G/P	HP	786D1	V1.03
INTEL	945G/P	PHOENIX	AWARD	V6.00PG
INTEL	945G/P	PHOENIX	DELL	A01
INTEL	945G/P	PHOENIX	DELL	A02
INTEL	945G/P	PHOENIX	DELL	A05
INTEL	945GM/PM	DELL		A02
INTEL	945GM/PM	DELL		A04
INTEL	945GM/PM	DELL		A05
INTEL	945GM/PM	DELL		A09
INTEL	945GM/PM	HP	F.05	

Table 12: Tested BIOS versions with Windows XP SP2

Manufacturer	Model	BIOS Vendor	BIOS Release	BIOS Version
INTEL	945GM/PM	IBM		1.02 (79ET56WW)
INTEL	945GM/PM	IBM		1.04 (7BET44WW)
INTEL	945GM/PM	LENOVO		1.02 (7CET47WW)
INTEL	945GM/PM	LENOVO		1.10 (7FET50WW)
INTEL	945GM/PM	LENOVO		2.00 (79ETC0WW)
INTEL	945GM/PM	PHOENIX		V1.20
INTEL	955X	AMI	206	12/21/2005
INTEL	955X	HP	786D3	V1.02
INTEL	955X	PHOENIX	AWARD	W7158IMS
INTEL	955X			
INTEL	975X	AMI	206	12/21/2005
INTEL	975X	AWARD	VER F1	
INTEL	E7221	PHOENIX	DELL	A00
INTEL	G/P965	INSYDE		
INTEL	G/P965	PHOENIX	1.0.3	8/14/2006
INTEL	G/P965	PHOENIX	DELL	1.0.3
INTEL	G/P965	PHOENIX	DELL	2.1.0
NVIDIA	0X0070	PHOENIX	V6.00PG	2/7/2006
NVIDIA	NFORCE 4SLI	AMI	V310	
NVIDIA	NFORCE 4SLI	PHOENIX	DELL	A04
NVIDIA	NFORCE 4SLI	PHOENIX	V6.00PG	7/11/2005
SIS	661	AWARD	R1.00	6/13/2005
SIS	760	AMI	V2.54	
SIS	760	PHOENIX	V3.01	8/18/2004
VIA	K8M800	AMI	V0210	
VIA	K8M800	AMI	V2.54	8/30/2005
VIA	K8M800	AWARD	V6.00PG	10/17/2005

5.2.2 DriveTrust compatibility verification

The systems documented in Table 13 passed DriveTrust compatibility tests running Windows XP Pro with service pack 2 (SP2). The system configurations listed below support the Trusted Send/Receive capabilities required for pre-boot and other SeaCOS (dcard) features. Refer to your DriveTrust software vendor for additional considerations.

Table 13: DriveTrust compatibility

Chipset Manufacturer	Chipset Southbridge	System Vendor	System Model	SATA Mode	BIOS
Intel	ICH6M	LG	LW40-DOX1	ATA	Phoenix OLMPSF07
		TCL	K40D	ATA	Phoenix1.00
	ICH7M	Acer	Aspire 3690 BL50	ATA	Phoenix V3.50
			Aspire 5572WXMI	ATA	Phoenix V1.3505
			Aspire 9410 MS2195	ATA	Phoenix V1.18
			Aspire 9800 LA01	ATA	Phoenix I1.05
			Aspire 9815WKH1	ATA	Phoenix V2.12
			Travelmate 3270-ZR1	ATA	Phoenix V1.3505
			6263	ATA	Phoenix 2.03
		Asus	F9J	ATA	Asus
			G2P	ATA	Asus 009.012.001.027.A07408.025
			R1F	ATA	Asus 13.13.106405.009
			V1JP	ATA	Asus V310
		Dell	Inspiron 6400/E1505	ATA	Dell A09
			Inspiron 9400/E1705	ATA	Dell A04
			Precision M65	ATA	Dell A05
			Precision M90	ATA	Dell A04
			XPS M1210	ATA	Dell A04
			XPS M1710	ATA	Dell A02
		Fujitsu	FMVNE2KD3	AHCI	Phoenix V1.09
			FMVNF70W	AHCI	Fujitsu Phoenix 1.04
			FMVNS5C4	AHCI	Fujitsu Phoenix 1.25
			FMVNX70WD	AHCI	Fujitsu Phoenix 1.06
			FMVNX90RW	AHCI	Phoenix V1.04
			Lifebook FMV8250	ATA	Phoenix V1.02
		Gateway	E-100M	AHCI	PhoenixBIOS 76.09
			M465-E	AHCI	PhoenixBIOS 71.04
			M685-E	AHCI	PhoenixBIOS 72.02
			NX560X	AHCI	PhoenixBIOS 71.04
		HP-BPC	Compaq NC4400	AHCI	HP F.08
	Compaq NC6400		AHCI	HP F.08	
	Compaq NC8430		AHCI	HP F.12	
	Compaq NW8440		AHCI	HP F.12	
	Compaq NW9440		AHCI	HP F.1B	
	Compaq NX7400		AHCI	HP	
	Compaq NX8420		AHCI	HP F.15	
	Compaq NX9420		AHCI	HP F.1C	
	Compaq TC4400		AHCI	HP F.0B	
	Pavilion DV2000T		AHCI	HP F26	
	Pavilion DV6000T		AHCI	HP F27	
	Pavilion DV9000T		AHCI	HP F27	

Table 13: DriveTrust compatibility

Chipset Manufacturer	Chipset Southbridge	System Vendor	System Model	SATA Mode	BIOS
Intel	ICH7M	HP-BPC	Presario V3000T	AHCI	HP F26
			Presario V6000T	AHCI	HP F.29
		Lenovo China	Sunrise 210	ATA	Phoenix Trustedcore 1.0B-1264-8A20
			Sunrise 410	ATA	Phoenix Trustedcore LE4 Q3B72
			Sunrise 410L	ATA	Phoenix Trustedcore LE4 Q3B72
			TIAN YI F30A	ATA	Phoenix Trustedcore Q3A82
			TIAN YI F40A	ATA	V1.08
			LG	LGE-DMLGR40(B)	AHCI
		NEC-SAS	NEC Versa M160	ATA	Phoenix 3A22-1284-1A22
			NEC Versa M360	ATA	Phoenix 3A22-1284-1A22
		Sony	VGN FE31B/W	ATA	Phoenix R0170J3
			VNG FE51B/H	ATA	Phoenix R0107J3
			VGN-AR92S	ATA	Phoenix
			VGN-C71B/W	ATA	Phoenix
			VGN-FE53B/W	ATA	Phoenix
			VGN-N51HB	ATA	Phoenix
			VGN-SZ73B/B	ATA	Phoenix N0G72-13
		TCL	K42	ATA	Phoenix 1.08
		Toshiba	Satelite M100	ATA	Phoenix V1.20
		ICH8M	Acer	AS9920	AHCI
	Aspire 4720			AHCI	Phoenix V1.08
	Aspire 5920G			AHCI	Phoenix V1.3708
	Aspire 5920G			AHCI	Acer
	Aspire 7720WSMI			AHCI	AMI V1.12
	Asus		G1S	AHCI	Asus
			G2S	ATA	Asus 1000B50001
	Dell		Inspiron 1420	AHCI	Phoenix A00
			Inspiron 1720	AHCI	Phoenix A00
			Precision M4300	ATA	Phoenix A02
			Precision M6300	AHCI	Phoenix A00
	Fujitsu		FMB BIBLO NF70X	AHCI	Phoenix V1.12
			FMVNE5FD4	AHCI	Fujitsu Phoenix 1.06
Fujitsu Siemens	Celsius H250		AHCI	Phoenix 1.08	
	Lifbook S6410		AHCI	Phoenix 1.11	

Table 13: DriveTrust compatibility

Chipset Manufacturer	Chipset Southbridge	System Vendor	System Model	SATA Mode	BIOS		
Intel	ICH8M	HP-BPC	Compaq 2210B	AHCI	HP F00		
			Compaq 6510B	AHCI	HP F10		
			Compaq 6710B	AHCI	HP F.0B		
			Compaq 6720S	AHCI	HP		
			Compaq 6910P	AHCI	HP F.06		
			Compaq 8710P	AHCI			
			Pavilion DV2500T	AHCI	Phoenix F.21		
			Pavilion DV6500T	AHCI	Phoenix F.33		
			Pavilion DV9500T	AHCI	Phoenix F.33		
			Pavilion HDX	AHCI	HP		
		Lenovo China	TIANYI F41A	ATA	Lenovo 05N23WW (V1.03)		
			XURI C430A	ATA	Lenovo Q3B14		
			XURI C430G	ATA	Lenovo Q3B14		
			ZHAOYANG K42A	AHCI	Lenovo 1.06T05		
		LG	LGE-DML GE50(B)	ATA	AMI A1636IL 1 V1.17		
			LGE-DML GM1(B)	ATA	Phoenix STNYSF05		
			LGE-DML GP3	AHCI	Phoenix COLSSF0B		
		Samsung	SEC-NT-R70(B)	ATA	Phoenix 05AB		
			SQ45S70S	ATA	Phoenix 06ST		
		TCL	T45	AHCI	Phoenix A 0B-0401-0011		
		Trigem	N8393WFGK	ATA	Phoenix 1.00TG		
		AMD(ATI)	SB600	Acer	Travelmate 5520G	ATA	Phoenix V1.14
				Dell	Inspiron 1521	ATA	Phoenix A00
Inspiron 1721	ATA				Phoenix 2 3.1		
Trigem	N8172SH1K			ATA	Phoenix 1.00		
Dell	Inspiron 1501			ATA	Dell 1.4.0		
Nvidia	MCP51	HP-BPC	Pavilion DV2000Z	ATA	HP F34		
			Pavilion DV6000Z	ATA	HP F38		
			Pavilion TX1000Z	ATA	HP F.18		
Nvidia	MCP51	HP-BPC	Pavilion TX1200	ATA	Phoenix F.1C		
			Presario V6000Z	ATA	HP F.38		

5.3 Operating system versions tested

This list indicates the types of Operating Systems Seagate tested during the compatibility testing process. Several variations of these operating systems have been tested.

Table 14: Supported operating systems

Manufacturer	Version/Release
Microsoft	Windows Server 2003 (Compatibility evaluated, but not tested)
Microsoft	Windows XP, XP Pro, XP Home (Service Pack 2) (multiple languages)
Microsoft	Windows Vista. Note: Some systems will require a "hotfix" from Microsoft. Refer to www.microsoft.com and search for knowledgebase (KB) article number 943170 for important information about obtaining and installing the necessary operating system fixes necessary to successfully use Vista with FDE drives in DriveTrust mode. These fixes are not required to use the drive in ATA Security mode.

5.4 Compatibility test configurations

Tests are performed to ensure functionality to the ATA/ATAPI-7 specification and are constantly evolving to match the evolution of the ATA/ATAPI specifications. Momentus 7200 FDE.1 SATA drives should be expected to be largely compliant to the emerging ATA/ATAPI-8 specification.

Exceptions to the specifications for the Momentus 7200 FDE.1 SATA drives are listed in Section 4.0.

6.0 Seagate Technology support services

Internet

For information regarding Seagate products and services, visit www.seagate.com. Worldwide support is available 24 hours daily by email for your questions.

Presales Support:

Presales@Seagate.com

Technical Support:

DiscSupport@Seagate.com

Warranty Support:

<http://www.seagate.com/support/service/index.html>

mySeagate

my.seagate.com is the industry's first Web portal designed specifically for OEMs and distributors. It provides self-service access to critical applications, personalized content and the tools that allow our partners to manage their Seagate account functions. Submit pricing requests, orders and returns through a single, password-protected Web interface-anytime, anywhere in the world.

spp.seagate.com

spp.seagate.com supports Seagate resellers with product information, program benefits and sales tools. You may register for customized communications that are not available on the web. These communications contain product launch, EOL, pricing, promotions and other channel-related information. To learn more about the benefits or to register, go to spp.seagate.com, any time, from anywhere in the world.

Seagate Service Centers

Presales Support

Our Presales Support staff can help you determine which Seagate products are best suited for your specific application or computer system, as well as product availability and compatibility.

Technical Support

Seagate technical support is available to assist you online at support.seagate.com or through one of our call centers. Have your system configuration information and your "ST" model number available.

SeaTDD™ (+1-405-324-3655) is a telecommunications device for the deaf (TDD). You can send questions or comments 24 hours daily and exchange messages with a technical support specialist during normal business hours for the call center in your region.

Customer Service Operations

Warranty Service

Seagate offers worldwide customer support for Seagate products. Seagate distributors, OEMs and other direct customers should contact their Seagate Customer Service Operations (CSO) representative for warranty-related issues. Resellers or end users of drive products should contact their place of purchase or Seagate warranty service for assistance. Have your serial number and model or part number available.

Data Recovery Services

Seagate offers data recovery services for all formats and all brands of storage media. Our data recovery services labs are currently located throughout the world. . Additional information, including an online request form and data loss prevention resources, is available at <http://services.seagate.com/index.aspx>

Authorized Service Centers

Seagate Service Centers are available on a global basis for the return of defective products. Contact your customer support representative for the location nearest you.

USA/Canada/Latin America support services

For an extensive list of telephone numbers to technical support, presales and warranty service in USA/Canada/Latin America, including business hours, go to the "Contact Us" page on www.seagate.com.

Global Customer Support

Presales, Technical, and Warranty Support

Call Center	Toll-free	Direct dial
USA, Canada, and Mexico	1-800-SEAGATE	+1-405-324-4700

Data Recovery Services

Call Center	Toll-free	Direct dial	FAX
USA, Canada, and Mexico	1-800-475-01435	+1-905-474-2162	1-800-475-0158 +1-905-474-2459

Europe, the Middle East and Africa Support Services

For an extensive list of telephone numbers to technical support, presales and warranty service in Europe, the Middle East and Africa, go to the "Contact Us" page on www.seagate.com.

Asia/Pacific Support Services

For an extensive list of telephone numbers to technical support, presales and warranty service in Asia/Pacific, go to the "Contact Us" page on www.seagate.com.

Index

A

- ACA 18
- acoustics 6, 15
- Active mode 12
- AFR 17
- Agency certification 17
- Altitude 13
- Altitude, nonoperating 6
- Altitude, operating 6
- Ambient temperature 6, 13
- ambient temperature 9
- Annualized Failure Rate 17
- Annualized Failure Rate (AFR) 6
- Areal density 5, 8
- ATA data-transfer modes supported 5
- ATA-standard commands 32
- Australia/New Zealand Standard AS/NZS3548 1995 18
- Australian Communication Authority (ACA) 18
- Australian C-Tick 18
- Average seek time 9
- Average seek, read 5

B

- bels 6
- BIOS manufacturers 43
- BPI 5
- buffer 1, 5, 8
- burst 1
- Bytes per sector 5, 7

C

- cables and connectors 22
- Cache 5
- cache 1, 8
- capacity 7
- case temperature 13
- CE mark 18
- certification 17
- chemical substances 20
- China RoHS directive 20
- Class B computing device 18
- commands 32
- compatibility 18, 43
- compatibility summary 43
- compatibility test configurations 50
- Conducted noise 11
- Conducted RF immunity 16
- Configuring the drive 21
- connectors 22
- CSA C22.2 (950) 17

- current 5
- cycles 17
- Cylinders 7

D

- data-transfer rates 1
- DC power 10
- Default logical geometry 7
- density 5
- diagnostic software 1
- dimensions 23
- Discs 5
- dissipation 10
- drive monitoring 1
- drive self-test 1

E

- Electrical fast transient 16
- Electromagnetic compatibility 18
- Electromagnetic Compatibility Directive (89/336/EEC) 18
- Electromagnetic immunity 15
- Electrostatic discharge 16
- electrostatic discharge (ESD) 21
- EN 55022, Class B 18
- EN 55024 18
- EN 60950 17
- Environmental protection 20
- Environmental specifications 13
- error-correction algorithms 1
- errors 6, 17
- ESD 21
- EU 18
- European Union (EU) requirements 18
- European Union Restriction of Hazardous Substances 20

F

- FCC verification 18
- Federal Communications Commission 18
- Formatted capacity 7
- Formatted Gbytes 5

G

- Gbytes 7
- geometry 7
- gradient 6
- Guaranteed sectors 5, 7
- guaranteed sectors 7

H

- handling 21
- Handling precautions 21

heads 7
Height 5
height 8
Humidity 13
humidity 6

I

I/O data-transfer rate 5, 8
Identify Device command 36
Idle 10
Idle and Standby timers 12
Idle mode 6, 12
Idle mode power 10
IEC950 17
Information Technology Equipment (ITE) 18
Input noise ripple 11
Interface 8
interface 27
Interleave 8
Internal data transfer rate 5
Internal data-transfer rate 8
ITE 18

K

Korean RRL 18

L

latency 5
LBA mode 7
Length 5
length 8
Load/Unload 17
logical geometry 7

M

maximum temperature 13
monitoring 1
mounting 23
mounting screws 14
mounting the drive 21

N

noise 11
nominal power 9
Nonoperating shock 14
Nonoperating vibration 14
Nonrecoverable read errors 6
nonrecoverable read errors 17

O

Operating shock 14
operating system 43

Operating vibration 14
OS manufacturers 49

P

Physical characteristics 8
Physical organization 8
Physical read/write heads 5
point-to-point 22
Power consumption 10
power dissipation 10
power management 12
power on/off cycles 17
Power specifications 10
Power-management modes 12
Power-on to Ready 9
Power-on to ready 5
precautions 21, 23
programmable power management 12

Q

quick reference 5

R

Radiated RF immunity 16
Radio and television interference 18
radio frequency (RF) 15
random track location 10
read errors 6, 17
Read Multiple 1
Read/write heads 7
Read/write power 6
read/write power and current 10
Recording density 5, 8
Recording method 8
Recording technology 8
Relative humidity 6, 13
Reliability 17
resistance 11
RF 15
RoHS 20
RPM 5
RRL 18

S

S.M.A.R.T. drive monitoring 1
Safety certification 17
SATA 8, 27
screws 14, 23
SeaTools 1
sector 7
sectors 7
Sectors per track 7
seek mode 10

Seek power 5
Seek time 9
seek time 5
Seeking 10
Self refresh, low power 12
Serial ATA 8
Serial ATA (SATA) interface 27
servo electronics 10
Shock 14
Shock, nonoperating 6
Shock, operating 6
single-track seeks 9
Sleep 10
Sleep mode 6, 12
sound power 6
Specification summary table 5
Spindle speed 5, 8
Spinup 10
spinup power 10
Standby 10
Standby mode 6, 10, 12
Standby to Ready 9
Standby to ready 5
Start/stop times 9
Startup current 5
static-discharge 21
support services 51
Surge immunity 16

Wet bulb temperature 6, 13
Width 5
width 8
Write Multiple 1

T

technical support services 51
temperature 6, 9, 13
Temperature gradient 6, 13
timers 12
TPI 5
Track density 5, 8
Track-to-track seek time 5, 9
TUV North America 17

U

UL 1950 17

V

Vibration 14
Vibration, nonoperating 6
Vibration, operating 6
Voltage dips, interrupts 16
Voltage tolerance 6, 11

W

Warranty 17
Weight 5
weight 8



Seagate Technology LLC
920 Disc Drive, Scotts Valley, California 95066-4544, USA
Publication Number: 100515958, Rev. B, Printed in USA