



BARRACUDA

COMPUTE

SATA Product Manual

Standard models

ST4000DM005

100804656, Rev. F
May 2019

Document Revision History

| Revision | Date | Description of Change |
|----------|------------|--|
| Rev. A | 08/31/2016 | Initial release. |
| Rev. B | 10/21/2016 | fc: Applied new BarraCuda logo 10: Revised Section 2.8.1 Power consumption & Edits in Table 2 11: Revised Section 2.8.4 Power-management modes 15: Updated to MSIP Korean text for Class B device warning 19: New mechanical drawing |
| Rev. C | 09/28/2017 | 16-19: Updated Safety, EMC, FCC & RoHS Sections 2.13 through 2.14.3, per Compliance Council |
| Rev. D | 11/03/2017 | 13: Added Figure 1: Location of the HDA temperature check point & note 19: Updated Table 6: Taiwan - Restricted Substances - Unit row headers = HDD & PCBA 21: Updated fastener penetration depth in Section 3.4 & Figs.3 = 0.140 in. |
| Rev. E | 04/13/2018 | 16: Added Regulatory Model Number |
| Rev. F | 05/28/2019 | 6: Removed TGMR bullet 19: Updated Table 6 Taiwan - Restricted Substances bc: Removed APAC & EMEA addresses. |

© 2019 Seagate Technology LLC. All rights reserved.

Publication number: 100804656, Rev. F May 2019

Seagate, Seagate Technology and the Spiral logo are registered trademarks of Seagate Technology LLC in the United States and/or other countries. BarraCuda and SeaTools are either trademarks or registered trademarks of Seagate Technology LLC or one of its affiliated companies in the United States and/or other countries. All other trademarks or registered trademarks are the property of their respective owners.

No part of this publication may be reproduced in any form without written permission of Seagate Technology LLC.

Call 877-PUB-TEK1 (877-782-8351) to request permission.

When referring to drive capacity, one gigabyte, or GB, equals one billion bytes and one terabyte, or TB, equals one trillion bytes. Your computer's operating system may use a different standard of measurement and report a lower capacity. In addition, some of the listed capacity is used for formatting and other functions, and thus will not be available for data storage. Actual quantities will vary based on various factors, including file size, file format, features and application software. Actual data rates may vary depending on operating environment and other factors. The export or re-export of hardware or software containing encryption may be regulated by the U.S. Department of Commerce, Bureau of Industry and Security (for more information, visit www.bis.doc.gov), and controlled for import and use outside of the U.S. Seagate reserves the right to change, without notice, product offerings or specifications.

| | |
|---|----------|
| Seagate® Technology Support Services | 5 |
| <hr/> | |
| 1.0 Introduction | 6 |
| 1.1 About the SATA interface | 6 |
| <hr/> | |
| 2.0 Drive Specifications | 7 |
| 2.1 Specification summary tables | 7 |
| 2.2 Formatted capacity | 9 |
| 2.2.1 LBA mode | 9 |
| 2.3 Default logical geometry | 9 |
| 2.4 Recording and interface technology | 9 |
| 2.5 Physical characteristics | 9 |
| 2.6 Seek time | 10 |
| 2.7 Start/stop times | 10 |
| 2.8 Power specifications | 11 |
| 2.8.1 Power consumption | 11 |
| 2.8.2 Conducted noise | 11 |
| 2.8.3 Voltage tolerance | 12 |
| 2.8.4 Power-management modes | 12 |
| 2.9 Environmental specifications | 13 |
| 2.9.1 Ambient Temperature | 13 |
| 2.9.2 Temperature gradient | 13 |
| 2.9.3 Humidity | 13 |
| 2.9.4 Altitude | 13 |
| 2.9.5 Shock and Vibration | 14 |
| 2.10 Acoustics | 15 |
| 2.10.1 Test for Prominent Discrete Tones (PDTs) | 15 |
| 2.11 Electromagnetic immunity | 15 |
| 2.12 Warranty | 16 |
| 2.12.1 Storage | 16 |

Contents

| | | |
|------------|---|-----------|
| 2.13 | Agency and Safety Certifications | 16 |
| 2.13.1 | Safety certification | 16 |
| 2.13.2 | European Union (EU) CE Marking Requirements | 16 |
| 2.13.3 | Australian RCM Compliance Mark | 16 |
| 2.13.4 | Canada ICES-003 | 16 |
| 2.13.5 | South Korean KC Certification Mark | 17 |
| 2.13.6 | Morocco Commodity Mark | 17 |
| 2.13.7 | Taiwanese BSMI | 17 |
| 2.13.8 | FCC verification | 17 |
| 2.14 | Environmental protection | 18 |
| 2.14.1 | European Union Restriction of Hazardous Substance Law | 18 |
| 2.14.2 | China Requirements —China RoHS 2 | 18 |
| 2.14.3 | Taiwan Requirements — Taiwan RoHS | 19 |
| 2.15 | Corrosive environment | 19 |
| <hr/> | | |
| 3.0 | Configuring and Mounting the Drive | 20 |
| 3.1 | Handling and static-discharge precautions | 20 |
| 3.2 | Configuring the drive | 20 |
| 3.3 | SATA cables and connectors | 20 |
| 3.4 | Drive mounting | 21 |
| <hr/> | | |
| 4.0 | SATA Interface | 22 |
| 4.1 | Hot-Plug compatibility | 22 |
| 4.2 | SATA device plug connector pin definitions | 22 |
| 4.3 | Supported ATA commands | 23 |
| 4.3.1 | Identify Device command | 25 |
| 4.3.2 | Set Features command | 30 |
| 4.3.3 | S.M.A.R.T. commands | 31 |

Figures

| | | |
|----------|---|----|
| Figure 1 | Location of the HDA temperature check point | 13 |
| Figure 2 | Attaching SATA cabling..... | 20 |
| Figure 3 | Mounting dimensions (4TB)..... | 21 |

Seagate® Technology Support Services

For information regarding online support and services, visit: <http://www.seagate.com/contacts/>

For information regarding Warranty Support, visit: <http://www.seagate.com/support/warranty-and-replacements/>

For information regarding data recovery services, visit: <http://www.seagate.com/services-software/recover/>

For Seagate OEM, Distribution partner and reseller portals, visit: <http://www.seagate.com/partners/>

1.0 Introduction

This manual describes the functional, mechanical and interface specifications for the following:
Seagate® BarraCuda® model drives:

ST4000DM005

These drives provide the following key features:

- Compliant with RoHS requirements in China and Europe.
- High instantaneous (burst) data-transfer rates (up to 600MB per second).
- Native Command Queuing with command ordering to increase performance in demanding applications.
- Quiet operation.
- SeaTools diagnostic software performs a drive self-test that eliminates unnecessary drive returns.
- State-of-the-art cache and on-the-fly error-correction algorithms.
- Support for S.M.A.R.T. drive monitoring and reporting.
- Supports latching SATA cables and connectors.
- Worldwide Name (WWN) capability uniquely identifies the drive.

1.1 About the SATA interface

The Serial ATA (SATA) interface provides several advantages over the traditional (parallel) ATA interface. The primary advantages include:

- Easy installation and configuration with true plug-and-play connectivity. It is not necessary to set any jumpers or other configuration options.
- Thinner and more flexible cabling for improved enclosure airflow and ease of installation.
- Scalability to higher performance levels.

In addition, SATA makes the transition from parallel ATA easy by providing legacy software support. SATA was designed to allow users to install a SATA host adapter and SATA disk drive in the current system and expect all of the existing applications to work as normal.

The SATA interface connects each disk drive in a point-to-point configuration with the SATA host adapter. There is no master/slave relationship with SATA devices like there is with parallel ATA. If two drives are attached on one SATA host adapter, the host operating system views the two devices as if they were both “masters” on two separate ports. This essentially means both drives behave as if they are Device 0 (master) devices.

The SATA host adapter and drive share the function of emulating parallel ATA device behavior to provide backward compatibility with existing host systems and software. The Command and Control Block registers, PIO and DMA data transfers, resets, and interrupts are all emulated.

The SATA host adapter contains a set of registers that shadow the contents of the traditional device registers, referred to as the Shadow Register Block. All SATA devices behave like Device 0 devices. For additional information about how SATA emulates parallel ATA, refer to the “Serial ATA International Organization: Serial ATA Revision 3.0”. The specification can be downloaded from www.sata-io.org.

| | |
|-------------|---|
| Note | The host adapter may, optionally, emulate a master/slave environment to host software where two devices on separate SATA ports are represented to host software as a Device 0 (master) and Device 1 (slave) accessed at the same set of host bus addresses. A host adapter that emulates a master/slave environment manages two sets of shadow registers. This is not a typical SATA environment. |
|-------------|---|

2.0 Drive Specifications

Unless otherwise noted, all specifications are measured under ambient conditions, at 25°C, and nominal power. For convenience, the phrases *the drive* and *this drive* are used throughout this manual to indicate the following drive models:

ST4000DM005

2.1 Specification summary tables

The specifications listed in [Table 1](#) are for quick reference. For details on specification measurement or definition, refer to the appropriate section of this manual.

Table 1 Drive specifications summary for 4TB model

| Drive Specification* | ST4000DM005 |
|---|--|
| Formatted capacity (512 bytes/sector)** | 4000GB (4TB) |
| Guaranteed sectors | 7,814,037,168 |
| Heads | 6 |
| Disks | 3 |
| Bytes per sector (4K physical emulated at 512-byte sectors) | 4096 |
| Default sectors per track | 63 |
| Default read/write heads | 16 |
| Default cylinders | 16,383 |
| Recording density (max) | 2054kFCI |
| Track density (avg) | 390ktracks/in |
| Areal density (avg) | 811Gb/in ² |
| Internal data transfer rate (max) | 2111Mb/s |
| Average data rate, read/write (MB/s) | 161MB/s |
| Maximum sustained data rate, OD read (MB/s) | 190MB/s |
| ATA data-transfer modes supported | PIO modes: 0 to 4 Multiword DMA modes: 0 to 2 Ultra DMA modes 0 to 6 |
| I/O data-transfer rate (max) | 600MB/s |
| Cache buffer | 64MB |
| Height (max) | 26.1mm / 1.028 in |
| Width (max) | 101.6mm / 4.0 in (+ 0.010 in) |
| Length (max) | 146.99mm / 5.787 in |
| Weight (typical) | 635g / 1.400 lb |
| Average latency | 5.1ms |
| Power-on to ready (max) | 15.0s |
| Standby to ready (max) | 15.0s |
| Average seek, read (typical) Average seek, write (typical) | <12.0ms typical <12.0ms typical |
| Startup current (typical) 12V | 2.0A |
| Voltage tolerance (including noise) | 5V ±5% 12V ±10% |
| Non-Operating (Ambient °C) | -40° to 70° |
| Operating ambient temperature (min °C) | 0° |
| Operating temperature (drive case max °C) | 60° [†] |
| Temperature gradient | 20°C per hour max (operating) 30°C per hour max (non-operating) |

Table 1 Drive specifications summary for 4TB model (continued)

| Drive Specification* | ST4000DM005 |
|--|---|
| Relative humidity | 5% to 90% (operating) 5% to 95% (non-operating) |
| Relative humidity gradient (max) | 30% per hour |
| Wet bulb temperature (max) | 26°C max (operating) 29°C max (non-operating) |
| Altitude, operating | -304m to 3048m (-1000 ft to 10,000 ft) |
| Altitude, non-operating (below mean sea level, max) | -304m to 12,192m (-1000 ft to 40,000+ ft) |
| Operational shock (max) | 80 Gs at 2ms |
| Non-operational shock (max) | 300 Gs at 2ms |
| Vibration, operating | 10Hz to 22Hz: 0.25 Gs, Limited displacement 22Hz to 350Hz: 0.50 Gs 350Hz to 500Hz: 0.25 Gs |
| Vibration, non-operating | 5Hz to 22Hz: 3.0 Gs 22Hz to 350Hz: 3.0 Gs 350Hz to 500Hz: 3.0 Gs |
| Drive acoustics, sound power | |
| Idle*** | 23 dBA (typical) 25 dBA (max) |
| Seek | 24 dBA (typical) 25 dBA (max) |
| Non-recoverable read errors | 1 per 10 ¹⁴ bits read |
| Rated workload | Average annualized workload rating: <55 TB/year. The AFR specification for the product assumes the I/O workload does not exceed the average annualized workload rate limit of 55 TB/year. Workloads exceeding the annualized rate may degrade the product AFR and impact reliability as experienced by the particular application. The average annualized workload rate limit is in units of TB per calendar year. |
| Warranty | To determine the warranty for a specific drive, use a web browser to access the following web page: http://www.seagate.com/support/warranty-and-replacements/ From this page, click on "Is my Drive under Warranty". Users will be asked to provide the drive serial number, model number (or part number) and country of purchase. The system will display the warranty information for the drive. |
| Load/unload cycles (25°C, 50% rel. humidity) | 300,000 |
| Supports hotplug operation per the Serial ATA Revision 3.2 specification | Yes |

* All specifications above are based on native configurations.

** One GB equals one billion bytes and 1TB equals one trillion bytes when referring to hard drive capacity. Accessible capacity may vary depending on operating environment and formatting.

*** During periods of drive idle, some offline activity may occur according to the S.M.A.R.T. specification, which may increase acoustic and power to operational levels.

† Seagate does not recommend operating at sustained case temperatures above 60°C. Operating at higher temperatures will reduce useful life of the product.

2.2 Formatted capacity

| Model | Formatted capacity* | Guaranteed sectors | Bytes per sector |
|-------|---------------------|--------------------|------------------|
| 4TB | 4000GB | 7,814,037,168 | 4096 |

*One GB equals one billion bytes and 1TB equals one trillion bytes when referring to hard drive capacity. Accessible capacity may vary depending on operating environment and formatting.

2.2.1 LBA mode

When addressing these drives in LBA mode, all blocks (sectors) are consecutively numbered from 0 to $n-1$, where n is the number of guaranteed sectors as defined above.

See [Section 4.3.1, "Identify Device command"](#) (words 60-61 and 100-103) for additional information about 48-bit addressing support of drives with capacities over 137GB.

2.3 Default logical geometry

- **Cylinders:** 16,383
- **Read/write heads:** 16
- **Sectors per track:** 63

LBA mode

When addressing these drives in LBA mode, all blocks (sectors) are consecutively numbered from 0 to $n-1$, where n is the number of guaranteed sectors as defined above.

2.4 Recording and interface technology

| | |
|---|----------|
| Interface | SATA |
| Recording method | TGMR |
| Recording density | 2054kFCI |
| Track density (ktracks/inch avg) | 390 |
| Areal density (Gb/in²) | 811 |
| Internal data transfer rate (Mb/s max) | 2111 |
| Maximum sustained data transfer rate, OD read (MB/s) | 190 |
| Average data rate, read/write (MB/s) | 161 |
| I/O data-transfer rate (MB/s max) | 600 |

2.5 Physical characteristics

| | |
|-----------------------|------------------------------------|
| Maximum height | 26.1mm / 1.028 in |
| Maximum width | 101.6mm / 4.0 in (± 0.010 in) |
| Maximum length | 146.99mm / 5.787 in |
| Typical weight | 635g / 1.400 lb |
| Cache buffer | 64MB |

2.6 Seek time

Seek measurements are taken with nominal power at 25°C ambient temperature. All times are measured using drive diagnostics. The specifications in the table below are defined as follows:

- Track-to-track seek time is an average of all possible single-track seeks in both directions.
- Average seek time is a true statistical random average of at least 5000 measurements of seeks between random tracks, less overhead.

| Typical seek times (ms) | Read | Write |
|-------------------------|------|-------|
| Track-to-track | 1.0 | 1.2 |
| Average | 12.0 | 12.0 |
| Average latency | 5.1 | |

| | |
|-------------|---|
| Note | These drives are designed to consistently meet the seek times represented in this manual. Physical seeks, regardless of mode (such as track-to-track and average), are expected to meet the noted values. However, due to the manner in which these drives are formatted, benchmark tests that include command overhead or measure logical seeks may produce results that vary from these specifications. |
|-------------|---|

2.7 Start/stop times

The start/stop times listed below are for the 4TB models.

| | |
|---------------------------------------|--------------------------|
| Power-on to ready (in seconds) | 13 (typical) 15 (max) |
| Standby to ready (in seconds) | 13 (typical) 15 (max) |
| Ready to spindle stop (in seconds) | 10 (typical) 11 (max) |

Time-to-ready may be longer than normal if the drive power is removed without going through normal OS powerdown procedures.

2.8 Power specifications

The drive receives DC power (+5V or +12V) through a native SATA power connector. Refer to [Figure 2 on page 20](#).

2.8.1 Power consumption

Power requirements for the drives are listed in [Table 2](#). Typical power measurements are based on an average of drives tested, under nominal conditions, using 5.0V and 12.0V input voltage at 25°C ambient temperature. These power measurements are done with DIPM enabled.

- Spinup current is measured from the time of power-on to the time that the drive spindle reaches operating speed.
- Read/Write current is measured with the heads on track, based on three 64 sector read or write operations every 100 ms.
- The drive supports three idle modes: Performance Idle mode, Active Idle mode and Low Power Idle mode. Refer to [Section 2.8.4](#) for power-management modes.

Table 2 DC power requirements (4TB)

| Power dissipation | Avg (watts 25° C) | Avg 5V typ amps | Avg 12V typ amps |
|-------------------|-------------------|-----------------|------------------|
| Spinup | — | — | 2.0 |
| Idle, Low Power | 3.20 | 0.07 | 0.238 |
| Read/Write | 5.00 | 0.28 | 0.30 |
| Standby | 0.25 | 0.04 | 0.004 |
| Sleep | 0.25 | 0.04 | 0.004 |

2.8.2 Conducted noise

Input noise ripple is measured at the host system power supply across an equivalent 80-ohm resistive load on the +12 volt line or an equivalent 15-ohm resistive load on the +5 volt line.

- Using 12-volt power, the drive is expected to operate with a maximum of 120 mV peak-to-peak square-wave injected noise at up to 10MHz.
- Using 5-volt power, the drive is expected to operate with a maximum of 100 mV peak-to-peak square-wave injected noise at up to 10MHz.

| | |
|-------------|--|
| Note | Equivalent resistance is calculated by dividing the nominal voltage by the typical RMS read/write current. |
|-------------|--|

2.8.3 Voltage tolerance

Voltage tolerance (including noise):

- 5V \pm 5%
- 12V \pm 10%

2.8.4 Power-management modes

The drive provides programmable power management to provide greater energy efficiency. In most systems, users can control power management through the system setup program. The drive features the following power-management modes:

| Power modes | Heads | Spindle | Electronics |
|-------------------|----------|----------|---------------|
| Active | Tracking | Rotating | Full Power |
| Idle, Performance | Tracking | Rotating | Full Power |
| Idle, Active | Floating | Rotating | Partial Power |
| Idle, Low Power | Parked | Rotating | Partial Power |
| Standby | Parked | Stopped | Low Power |
| Sleep | Parked | Stopped | Low Power |

- **Active mode**

The drive is in Active mode during the read/write and seek operations.

- **Idle mode**

The electronics remain powered, and the drive accepts all commands and returns to Active mode when disk access is necessary.

- **Standby mode**

The drive enters Standby mode immediately when the host sends a Standby Immediate command. If the host has set the standby timer, the drive enters Standby mode automatically after the drive has been inactive for a specifiable length of time. The standby timer delay is established using a Standby or Idle command. In Standby mode, the electronics are in low power mode, the heads are parked and the spindle is at rest. The drive accepts all commands and returns to Active mode when disk access is necessary.

- **Sleep mode**

The drive enters Sleep mode after receiving a Sleep command from the host. In Sleep mode, the electronics are in low power mode, the heads are parked and the spindle is at rest. The drive leaves Sleep mode after it receives a Hard Reset or Soft Reset from the host. After receiving a reset, the drive exits Sleep mode and enters Standby mode.

- **Idle and Standby timers**

Each time the drive performs an Active function (read, write or seek), the standby timer is reinitialized and begins counting down from its specified delay times to zero. If the standby timer reaches zero before any drive activity is required, the drive makes a transition to Standby mode. In both Idle and Standby mode, the drive accepts all commands and returns to Active mode when disk access is necessary.

2.9 Environmental specifications

This section provides the temperature, humidity, shock, and vibration specifications for Desktop HDDs. Ambient temperature is defined as the temperature of the environment immediately surrounding the drive. Above 1000ft. (305 meters), the maximum temperature is derated linearly by 1°C every 1000 ft. Refer to [Section 3.4 on page 21](#) for base plate measurement location.

2.9.1 Ambient Temperature

| | |
|--------------------------------------|------------------------------|
| Non-operating (Ambient) | -40° to 70°C (-40° to 158°F) |
| Operating ambient (min °C) | 0° (32°F) |
| Operating (Drive case max °C) | 60° (140°F) † |

† Seagate does not recommend operating at sustained case temperatures above 60°C. Operating at higher temperatures will reduce useful life of the product.

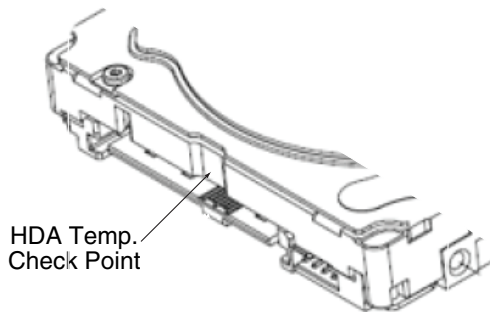


Figure 1 Location of the HDA temperature check point

Note Image is for reference only, may not represent actual drive.

2.9.2 Temperature gradient

| | |
|----------------------|---|
| Operating | 20°C per hour (36°F per hour max), without condensation |
| Non-operating | 30°C per hour (54°F per hour max) |

2.9.3 Humidity

2.9.3.1 Relative humidity

| | |
|----------------------|---|
| Operating | 5% to 90% non-condensing (30% per hour max) |
| Non-operating | 5% to 95% non-condensing (30% per hour max) |

2.9.3.2 Wet bulb temperature

| | |
|----------------------|-----------------------|
| Operating | 26°C / 78.8°F (rated) |
| Non-operating | 29°C / 84.2°F (rated) |

2.9.4 Altitude

| | |
|----------------------|---|
| Operating | -304m to 3048m (-1000 ft. to 10,000 ft.) |
| Non-operating | -304m to 12,192m (-1000 ft. to 40,000+ ft.) |

2.9.5 Shock and Vibration

All shock specifications assume that the drive is mounted securely with the input shock applied at the drive mounting screws. Shock may be applied in the X, Y or Z axis.

2.9.5.1 Operating shock

These drives comply with the performance levels specified in this document when subjected to a maximum operating shock of 80 Gs based on half-sine shock pulses of 2ms during read operations. Shocks should not be repeated more than two times per second.

2.9.5.2 Non-operating shock

The non-operating shock level that the drive can experience without incurring physical damage or degradation in performance when subsequently put into operation is 300 Gs based on a non-repetitive half-sine shock pulse of 2ms duration.

2.9.5.3 Operating vibration

The maximum vibration levels that the drive may experience while meeting the performance standards specified in this document are specified below.

| | |
|----------------|--------------------------------|
| 10Hz to 22Hz | 0.25 Gs (Limited displacement) |
| 22Hz to 350Hz | 0.50 Gs |
| 350Hz to 500Hz | 0.25 Gs |

All vibration specifications assume that the drive is mounted securely with the input vibration applied at the drive mounting screws. Vibration may be applied in the X, Y or Z axis. Throughput may vary if improperly mounted.

2.9.5.4 Non-operating vibration

The maximum non-operating vibration levels that the drive may experience without incurring physical damage or degradation in performance when subsequently put into operation are specified below.

| | |
|----------------|-------------------------------|
| 5Hz to 22Hz | 3.0 Gs (Limited displacement) |
| 22Hz to 350Hz | 3.0 Gs |
| 350Hz to 500Hz | 3.0 Gs |

2.10 Acoustics

Drive acoustics are measured as overall A-weighted acoustic sound power levels (no pure tones). All measurements are consistent with ISO document 7779. Sound power measurements are taken under essentially free-field conditions over a reflecting plane. For all tests, the drive is oriented with the cover facing upward.

| | |
|-------------|--|
| Note | For seek mode tests, the drive is placed in seek mode only. The number of seeks per second is defined by the following equation: (Number of seeks per second = $0.4 / (\text{average latency} + \text{average access time})$) |
|-------------|--|

Table 3 Fluid Dynamic Bearing (FDB) motor acoustics

| | |
|--------------|----------------------------------|
| Idle* | 23 dBA (typical) 25 dBA (max) |
| Seek | 24 dBA (typical) 25 dBA (max) |

*During periods of drive idle, some offline activity may occur according to the S.M.A.R.T. specification, which may increase acoustic and power to operational levels.

2.10.1 Test for Prominent Discrete Tones (PDTs)

Seagate follows the ECMA-74 standards for measurement and identification of PDTs. An exception to this process is the use of the absolute threshold of hearing. Seagate uses this threshold curve (originated in ISO 389-7) to discern tone audibility and to compensate for the inaudible components of sound prior to computation of tone ratios according to Annex D of the ECMA-74 standards.

2.11 Electromagnetic immunity

When properly installed in a representative host system, the drive operates without errors or degradation in performance when subjected to the radio frequency (RF) environments defined in [Table 4](#).

Table 4 Radio frequency environments

| Test | Description | Performance level | Reference standard |
|---------------------------|---|-------------------|---------------------------------|
| Electrostatic discharge | Contact, HCP, VCP: ± 4 kV; Air: ± 8 kV | B | EN61000-4-2: 95 |
| Radiated RF immunity | 80MHz to 1,000MHz, 3 V/m, 80% AM with 1kHz sine 900MHz, 3 V/m, 50% pulse modulation @ 200Hz | A | EN61000-4-3: 96 ENV50204: 95 |
| Electrical fast transient | ± 1 kV on AC mains, ± 0.5 kV on external I/O | B | EN61000-4-4: 95 |
| Surge immunity | ± 1 kV differential, ± 2 kV common, AC mains | B | EN61000-4-5: 95 |
| Conducted RF immunity | 150kHz to 80MHz, 3 Vrms, 80% AM with 1kHz sine | A | EN61000-4-6: 97 |
| Voltage dips, interrupts | 0% open, 5 seconds 0% short, 5 seconds 40%, 0.10 seconds 70%, 0.01 seconds | C C C B | EN61000-4-11: 94 |

2.12 Warranty

To determine the warranty for a specific drive, use a web browser to access the following web page:

<http://www.seagate.com/support/warranty-and-replacements/>

From this page, click on "Is my Drive under Warranty". Users will be asked to provide the drive serial number, model number (or part number) and country of purchase. The system will display the warranty information for the drive.

2.12.1 Storage

Maximum storage periods are 180 days within original unopened Seagate shipping package or 60 days unpackaged within the defined non-operating limits (refer to environmental section in this manual). Storage can be extended to 1 year packaged or unpackaged under optimal environmental conditions (25°C, <40% relative humidity non-condensing, and non-corrosive environment). During any storage period the drive non-operational temperature, humidity, wet bulb, atmospheric conditions, shock, vibration, magnetic and electrical field specifications should be followed.

2.13 Agency and Safety Certifications

Each Hard Drive and Solid State Drive ("drives") has a product label that includes certifications that are applicable to that specific drive. The following information provides an overview of requirements that may be applicable to the drive.

2.13.1 Safety certification

The drives are recognized in accordance with UL/cUL 60950-1 and EN 60950-1.

The following regulatory model number represent all features and configurations within the series:

Regulatory Model Numbers: SKR001

2.13.2 European Union (EU) CE Marking Requirements

Drives that display the CE mark comply with the European Union (EU) requirements specified in the Electromagnetic Compatibility Directive (2014/30/EU) put into force on 20 April 2016. Testing is performed to the levels specified by the product standards for Information Technology Equipment (ITE). Emission levels are defined by EN 55032:2012, Class B and the immunity levels are defined by EN 55024:2010.

The drives also meet the requirements of The Low Voltage Directive (LVD) 2014/35/EU.

Seagate drives are tested in representative end-user systems. Although CE-marked Seagate drives comply with all relevant regulatory requirements and standards for the drives, Seagate cannot guarantee that all system-level products into which the drives are installed comply with all regulatory requirements and standards applicable to the system-level products. The drive is designed for operation inside a properly designed system (e.g., enclosure designed for the drive), with properly shielded I/O cable (if necessary) and terminators on all unused I/O ports. Computer manufacturers and system integrators should confirm EMC compliance and provide CE marking for the system-level products.

For compliance with the RoHS "Recast" Directive 2011/65/EU (RoHS 2), [See Section 2.14.1 on page 18](#).

2.13.3 Australian RCM Compliance Mark

If these models have the RCM marking, they comply with the Australia/New Zealand Standard AS/NZ CISPR32 and meet the Electromagnetic Compatibility (EMC) Framework requirements of the Australian Communication and Media Authority (ACMA).

2.13.4 Canada ICES-003

If this model has the ICES-003:2016 marking it complies with requirements of ICES tested per ANSI C63.4-2014.

2.13.5 South Korean KC Certification Mark

The South Korean KC Certification Mark means the drives comply with paragraph 1 of Article 11 of the Electromagnetic Compatibility control Regulation and meet the Electromagnetic Compatibility (EMC) Framework requirements of the Radio Research Agency (RRA) Communications Commission, Republic of Korea. These drives have been tested and comply with the Electromagnetic Interference/Electromagnetic Susceptibility (EMI/EMS) for Class B products. Drives are tested in a representative, end-user system by a Korean-recognized lab.

| 기종별 | 사용자안내문 |
|------------------------|--|
| B급 기기 (가정용 방송통신기자재) | 이 기기는 가정용(B급) 전자파적합기기로서 주로 가정에서 사용하는 것을 목적으로 하며, 모든 지역에서 사용할 수 있습니다. |

2.13.6 Morocco Commodity Mark

To satisfy our OEM customers, Seagate has added the Moroccan Commodity Mark to the drives provided to the OEM for the sale of Customer Kits produced by our OEM customers that are intended to be incorporated into the OEM's finished system-level product by an end user. The Customer Kits are considered 'devices' under Morocco's Order of the Minister of Industry, Trade, Investment and Digital Economy No. 2574-14 of 29 Ramadan 1436 (16 July 2015) on electromagnetic compatibility of equipment.

Seagate drives are tested for compliance and complies with the European Union (EU) Electromagnetic Compatibility (EMC) Directive 2014/30/EU and the Low Voltage Directive (LVD) 2014/35/EU. Accordingly, the drives also meets the requirements of Morocco's Order of the Minister of Industry, Trade, Investment and Digital Economy No. 2574-14 of 29 Ramadan 1436 (16 July 2015) on electromagnetic compatibility of equipment.

2.13.7 Taiwanese BSMI

Drives with the Taiwanese certification mark comply with Chinese National Standard, CNS13438.

For compliance with the Taiwan Bureau of Standards, Metrology and Inspection's (BSMI) requirements, [See Section 2.14.3 on page 19](#).

2.13.8 FCC verification

These drives are intended to be contained solely within a personal computer or similar enclosure (not attached as an external device). As such, each drive is considered to be a subassembly even when it is individually marketed to the customer. As a subassembly, no Federal Communications Commission verification or certification of the device is required.

Seagate has tested this device in enclosures as described above to ensure that the total assembly (enclosure, disk drive, motherboard, power supply, etc.) does comply with the limits for a Class B computing device, pursuant to Subpart J, Part 15 of the FCC rules. Operation with noncertified assemblies is likely to result in interference to radio and television reception.

Radio and television interference. This equipment generates and uses radio frequency energy and if not installed and used in strict accordance with the manufacturer's instructions, may cause interference to radio and television reception.

This equipment is designed to provide reasonable protection against such interference in a residential installation. However, there is no guarantee that interference will not occur in a particular installation. If this equipment does cause interference to radio or television, which can be determined by turning the equipment on and off, users are encouraged to try one or more of the following corrective measures:

- Reorient the receiving antenna.
- Move the device to one side or the other of the radio or TV.
- Move the device farther away from the radio or TV.
- Plug the computer into a different outlet so that the receiver and computer are on different branch outlets.

If necessary, users should consult a dealer or an experienced radio/television technician for additional suggestions. Users may find helpful the following booklet prepared by the Federal Communications Commission: *How to Identify and Resolve Radio-Television Interference Problems*. This booklet is available from the Superintendent of Documents, U.S. Government Printing Office, Washington, DC 20402. Refer to publication number 004-000-00345-4.

2.14 Environmental protection

Seagate designs its products to meet environmental protection requirements worldwide, including regulations restricting certain chemical substances.

2.14.1 European Union Restriction of Hazardous Substance Law

2.14.1.1 Restriction of Hazardous Substances in Electrical and Electronic Equipment

Seagate drives are designed to be compliant with the European Union RoHS "Recast" Directive 2011/65/EU (RoHS 2) as amended by Directive (EU) 2015/863. The RoHS2 restricts the use of certain hazardous substances such as Lead, Cadmium, Mercury, Hexavalent Chromium, Polybrominated Biphenyls (PBB) and Polybrominated Diphenyl Ether (PBDE), BisBis(2-Ethylhexyl) phthalate (DEHP), Benzyl butyl phthalate (BBP), Dibutyl phthalate (DBP), and Diisobutyl phthalate (DIBP) in electrical and electronic equipment (EEE).

2.14.1.2 Substances of Very High Concern (SVHC)

The European Union REACH (Registration, Evaluation, Authorization and Restriction of Chemicals) Regulation (EC) 1907/2006 regulates chemicals shipped into and used in Europe. A number of parts and materials in Seagate products are procured from external suppliers. We rely on the representations of our suppliers regarding the presence of REACH substances in these articles and materials. Our supplier contracts require compliance with our chemical substance restrictions, and our suppliers document their compliance with our requirements by providing full-disclosure material content declarations that disclose inclusion of any REACH-regulated substance in such articles or materials. Product-specific REACH declarations are available upon request through your Seagate Sales Representative.

2.14.2 China Requirements —China RoHS 2



China RoHS 2 refers to the Ministry of Industry and Information Technology Order No. 32, effective July 1, 2016, titled Management Methods for the Restriction of the Use of Hazardous Substances in Electrical and Electronic Products. To comply with China RoHS 2, Seagate determines this product's Environmental Protection Use Period (EPUP) to be 20 years in accordance with the *Marking for the Restricted Use of Hazardous Substances in Electronic and Electrical Products*, SJ/T 11364-2014.

Table 5 China - Hazardous Substances

| 部件名称 Part Name | 有害物质 Hazardous Substances | | | | | |
|-------------------|------------------------------|-----------|-----------|----------------------------|---------------|-----------------|
| | 铅 (Pb) | 汞 (Hg) | 镉 (Cd) | 六价铬 (Cr ⁺⁶) | 多溴联苯 (PBB) | 多溴二苯醚 (PBDE) |
| 硬盘驱动器 HDD | X | O | O | O | O | O |
| 印刷电路板组装 PCBA | X | O | O | O | O | O |

本表格依据 SJ/T 11364 的规定编制。
This table is prepared in accordance with the provisions of SJ/T 11364-2014

O: 表示该有害物质在该部件所有均质材料中的含量均在 GB/T 26572 规定的限量要求以下。
O: Indicates that the hazardous substance contained in all of the homogeneous materials for this part is below the limit requirement of GB/T26572.

X: 表示该有害物质至少在该部件的某一均质材料中的含量超出 GB/T 26572 规定的限量要求。
X: Indicates that the hazardous substance contained in at least one of the homogeneous materials used for this part is above the limit requirement of GB/T26572.

2.14.3 Taiwan Requirements — Taiwan RoHS

Taiwan RoHS refers to the Taiwan Bureau of Standards, Metrology and Inspection's (BSMI) requirements in standard CNS 15663, Guidance to reduction of the restricted chemical substances in electrical and electronic equipment. Seagate products must comply with the "Marking of presence" requirements in Section 5 of CNS 15663, effective January 1, 2018. This product is Taiwan RoHS compliant.

The following table meets the Section 5 of CNS 15663, "Marking of presence" requirements.

Table 6 Taiwan - Restricted Substances

| 設備名稱：硬碟設備，型號： Equipment Name: Hard Disk Device, Type Designation: | | | | | | |
|---|--|-----------|-----------|---------------|---------------|-----------------|
| 單元 Unit | 限用物質及其化學符號 Restricted Substance and its chemical symbol | | | | | |
| | 鉛 (Pb) | 汞 (Hg) | 鎘 (Cd) | 六價鉻 (Cr+6) | 多溴聯苯 (PBB) | 多溴二苯醚 (PBDE) |
| 頂蓋 Top Cover | — | ○ | ○ | ○ | ○ | ○ |
| 磁碟 Magnetic disk | — | ○ | ○ | ○ | ○ | ○ |
| 電機底座組件 Motor Base Assembly | — | ○ | ○ | ○ | ○ | ○ |
| 印刷電路板組裝 PCB Assembly | — | ○ | ○ | ○ | ○ | ○ |
| 備考 1. "○" 係指該項限用物質之百分比含量未超出百分比含量基準值。 Note 1. "○" indicates that the percentage content of the restricted substance does not exceed the percentage of reference value of presence. 備考 2. "—" 係指該項限用物質為排除項目。 Note 2. "—" indicates that the restricted substance corresponds to the exemption. | | | | | | |

2.16 Corrosive environment

Seagate electronic drive components pass accelerated corrosion testing equivalent to 10 years exposure to light industrial environments containing sulfurous gases, chlorine and nitric oxide, classes G and H per ASTM B845. However, this accelerated testing cannot duplicate every potential application environment. Users should use caution exposing any electronic components to uncontrolled chemical pollutants and corrosive chemicals as electronic drive component reliability can be affected by the installation environment. The silver, copper, nickel and gold films used in Seagate products are especially sensitive to the presence of sulfide, chloride, and nitrate contaminants. Sulfur is found to be the most damaging. In addition, electronic components should never be exposed to condensing water on the surface of the printed circuit board assembly (PCBA) or exposed to an ambient relative humidity greater than 95%. Materials used in cabinet fabrication, such as vulcanized rubber, that can outgas corrosive compounds should be minimized or eliminated. The useful life of any electronic equipment may be extended by replacing materials near circuitry with sulfide-free alternatives.

3.0 Configuring and Mounting the Drive

This section contains the specifications and instructions for configuring and mounting the drive.

3.1 Handling and static-discharge precautions

After unpacking, and before installation, the drive may be exposed to potential handling and electrostatic discharge (ESD) hazards. Observe the following standard handling and static-discharge precautions:

Caution

- Before handling the drive, put on a grounded wrist strap, or ground oneself frequently by touching the metal chassis of a computer that is plugged into a grounded outlet. Wear a grounded wrist strap throughout the entire installation procedure.
- Handle the drive by its edges or frame *only*.
- The drive is extremely fragile—handle it with care. Do not press down on the drive top cover.
- Always rest the drive on a padded, antistatic surface until users mount it in the computer.
- Do not touch the connector pins or the printed circuit board.
- Do not remove the factory-installed labels from the drive or cover them with additional labels. Removal voids the warranty. Some factory-installed labels contain information needed to service the drive. Other labels are used to seal out dirt and contamination.

3.2 Configuring the drive

Each drive on the SATA interface connects point-to-point with the SATA host adapter. There is no master/slave relationship because each drive is considered a master in a point-to-point relationship. If two drives are attached on one SATA host adapter, the host operating system views the two devices as if they were both “masters” on two separate ports. Both drives behave as if they are Device 0 (master) devices.

SATA drives are designed for easy installation. It is usually not necessary to set any jumpers on the drive for proper operation; however, if users connect the drive and receive a “drive not detected” error, the SATA-equipped motherboard or host adapter may use a chipset that does not support SATA speed autonegotiation.

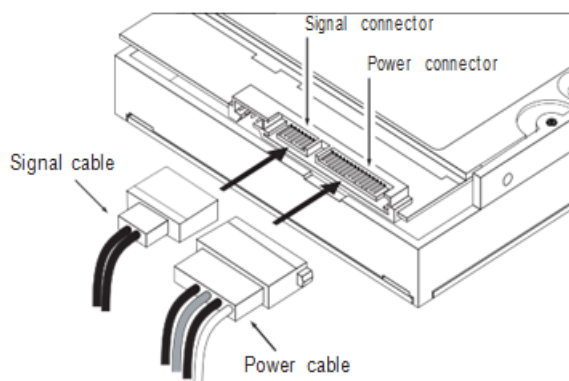
3.3 SATA cables and connectors

The SATA interface cable consists of four conductors in two differential pairs, plus three ground connections. The cable size may be 30 to 26 AWG with a maximum length of one meter (39.37 inches). See [Table 7](#) for connector pin definitions. Either end of the SATA signal cable can be attached to the drive or host.

For direct backplane connection, the drive connectors are inserted directly into the host receptacle. The drive and the host receptacle incorporate features that enable the direct connection to be hot pluggable and blind mateable.

For installations which require cables, users can connect the drive as illustrated in [Figure 2](#).

Figure 2 Attaching SATA cabling



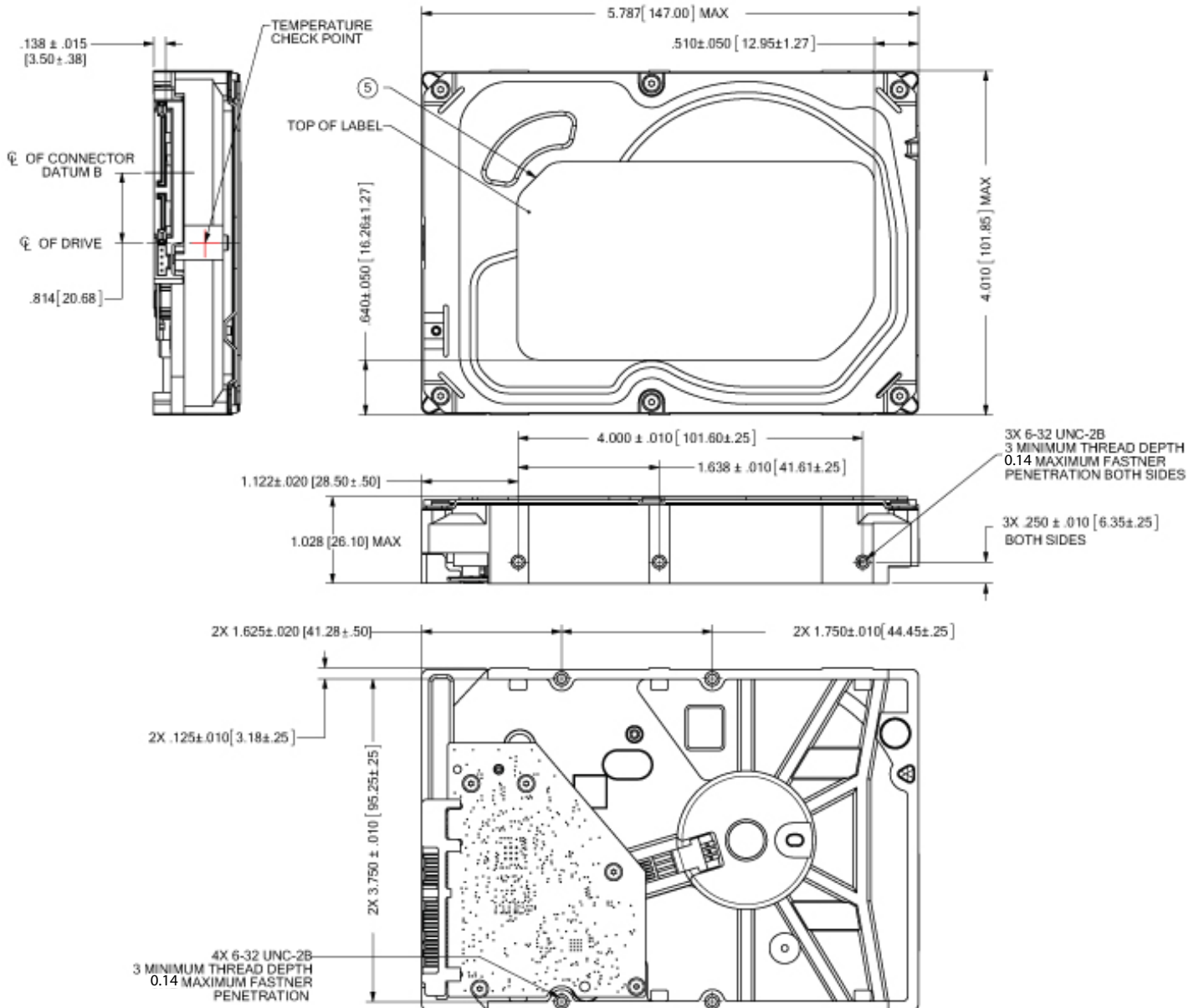
Each cable is keyed to ensure correct orientation. BarraCuda drives support latching SATA connectors.

3.4 Drive mounting

Users can mount the drive in any orientation using four screws in the side-mounting holes or four screws in the bottom-mounting holes. Refer to **Figure 3** for drive mounting dimensions. Follow these important mounting precautions when mounting the drive:

- Allow a minimum clearance of 0.030 inches (0.76mm) around the entire perimeter of the drive for cooling.
- Use only 6-32 UNC mounting screws.
- The screws should be inserted no more than 0.140 inch (3.56mm) into the bottom or side mounting holes.
- Do not overtighten the mounting screws (maximum torque: 6 inch-lb).

Figure 3 Mounting dimensions (4TB)



4.0 SATA Interface

These drives use the industry-standard Serial ATA (SATA) interface that supports FIS data transfers. It supports ATA programmed input/output (PIO) modes 0 to 4; multiword DMA modes 0 to 2, and Ultra DMA modes 0 to 6.

For detailed information about the SATA interface, refer to the “Serial ATA: High Speed Serialized AT Attachment” specification.

4.1 Hot-Plug compatibility

BarraCuda drives incorporate connectors which enable users to hot plug these drives in accordance with the SATA Revision 3.2 specification. This specification can be downloaded from www.serialata.org.

4.2 SATA device plug connector pin definitions

Table 7 summarizes the signals on the SATA interface and power connectors.

Table 7 SATA connector pin definitions

| Segment | Pin | Function | Definition |
|---|-----|----------------------|---|
| Signal | S1 | Ground | 2nd mate |
| | S2 | A+ | Differential signal pair A from Phy |
| | S3 | A- | |
| | S4 | Ground | 2nd mate |
| | S5 | B- | Differential signal pair B from Phy |
| | S6 | B+ | |
| | S7 | Ground | 2nd mate |
| Key and spacing separate signal and power segments | | | |
| Power | P1 | V ₃₃ | 3.3V power |
| | P2 | V ₃₃ | 3.3V power |
| | P3 | V ₃₃ | 3.3V power, pre-charge, 2nd mate |
| | P4 | Ground | 1st mate |
| | P5 | Ground | 2nd mate |
| | P6 | Ground | 2nd mate |
| | P7 | V ₅ | 5V power, pre-charge, 2nd mate |
| | P8 | V ₅ | 5V power |
| | P9 | V ₅ | 5V power |
| | P10 | Ground | 2nd mate |
| | P11 | Ground or LED signal | If grounded, drive does not use deferred spin |
| | P12 | Ground | 1st mate. |
| | P13 | V ₁₂ | 12V power, pre-charge, 2nd mate |
| | P14 | V ₁₂ | 12V power |
| | P15 | V ₁₂ | 12V power |

Notes

- All pins are in a single row, with a 1.27 mm (0.050 in) pitch.
- The comments on the mating sequence apply to the case of backplane blindmate connector only. In this case, the mating sequences are:
 - the ground pins P4 and P12.
 - the pre-charge power pins and the other ground pins.
 - the signal pins and the rest of the power pins.
- There are three power pins for each voltage. One pin from each voltage is used for pre-charge when installed in a blind-mate backplane configuration.
 - All used voltage pins (V_x) must be terminated.

4.3 Supported ATA commands

The following table lists SATA standard commands that the drive supports.

For a detailed description of the ATA commands, refer to the Serial ATA International Organization: Serial ATA Revision 3.0 (<http://www.sata-io.org>).

See “S.M.A.R.T. commands” on page 31 for details and subcommands used in the S.M.A.R.T. implementation.

Table 8 SATA standard commands

| Command name | Command code (in hex) |
|-------------------------------------|-----------------------------------|
| Check Power Mode | E5 _H |
| Device Configuration Freeze Lock | B1 _H / C1 _H |
| Device Configuration Identify | B1 _H / C2 _H |
| Device Configuration Restore | B1 _H / C0 _H |
| Device Configuration Set | B1 _H / C3 _H |
| Device Reset | 08 _H |
| Download Microcode | 92 _H |
| Execute Device Diagnostics | 90 _H |
| Flush Cache | E7 _H |
| Flush Cache Extended | EA _H |
| Format Track | 50 _H |
| Identify Device | EC _H |
| Idle | E3 _H |
| Idle Immediate | E1 _H |
| Initialize Device Parameters | 91 _H |
| Read Buffer | E4 _H |
| Read DMA | C8 _H |
| Read DMA Extended | 25 _H |
| Read DMA Without Retries | C9 _H |
| Read Log Ext | 2F _H |
| Read Multiple | C4 _H |
| Read Multiple Extended | 29 _H |
| Read Native Max Address | F8 _H |
| Read Native Max Address Extended | 27 _H |
| Read Sectors | 20 _H |
| Read Sectors Extended | 24 _H |
| Read Sectors Without Retries | 21 _H |
| Read Verify Sectors | 40 _H |
| Read Verify Sectors Extended | 42 _H |
| Read Verify Sectors Without Retries | 41 _H |
| Recalibrate | 10 _H |
| Security Disable Password | F6 _H |
| Security Erase Prepare | F3 _H |
| Security Erase Unit | F4 _H |
| Security Freeze | F5 _H |
| Security Set Password | F1 _H |
| Security Unlock | F2 _H |

Table 8 SATA standard commands (continued)

| Command name | Command code (in hex) | |
|--|---|---------------------------------|
| Seek | 70 _H | |
| Set Features | EF _H | |
| Set Max Address | F9 _H | |
| Note: Individual Set Max Address commands are identified by the value placed in the Set Max Features register as defined to the right. | Address: Password: Lock: Unlock: Freeze Lock: | 00H 01H 02H 03H 04H |
| Set Max Address Extended | 37 _H | |
| Set Multiple Mode | C6 _H | |
| Sleep | E6 _H | |
| S.M.A.R.T. Disable Operations | B0 _H / D9 _H | |
| S.M.A.R.T. Enable/Disable Autosave | B0 _H / D2 _H | |
| S.M.A.R.T. Enable Operations | B0 _H / D8 _H | |
| S.M.A.R.T. Execute Offline | B0 _H / D4 _H | |
| S.M.A.R.T. Read Attribute Thresholds | B0 _H / D1 _H | |
| S.M.A.R.T. Read Data | B0 _H / D0 _H | |
| S.M.A.R.T. Read Log Sector | B0 _H / D5 _H | |
| S.M.A.R.T. Return Status | B0 _H / DA _H | |
| S.M.A.R.T. Save Attribute Values | B0 _H / D3 _H | |
| S.M.A.R.T. Write Log Sector | B0 _H / D6 _H | |
| Standby | E2 _H | |
| Standby Immediate | E0 _H | |
| Write Buffer | E8 _H | |
| Write DMA | CA _H | |
| Write DMA Extended | 35 _H | |
| Write DMA FUA Extended | 3D _H | |
| Write DMA Without Retries | CB _H | |
| Write Log Extended | 3F _H | |
| Write Multiple | C5 _H | |
| Write Multiple Extended | 39 _H | |
| Write Multiple FUA Extended | CE _H | |
| Write Sectors | 30 _H | |
| Write Sectors Without Retries | 31 _H | |
| Write Sectors Extended | 34 _H | |
| Write Uncorrectable | 45 _H | |

4.3.1 Identify Device command

The Identify Device command (command code EC_H) transfers information about the drive to the host following power up. The data is organized as a single 512-byte block of data, whose contents are shown in **“Supported ATA commands” on page 23**. All reserved bits or words should be set to zero. Parameters listed with an “x” are drive-specific or vary with the state of the drive.

The following commands contain drive-specific features that may not be included in the SATA specification.

Table 9 Identify Device commands

| Word | Description | Value |
|-------|---|-------------------|
| 0 | Configuration information: <ul style="list-style-type: none"> • Bit 15: 0 = ATA; 1 = ATAPI • Bit 7: removable media • Bit 6: removable controller • Bit 0: reserved | 0C5A _H |
| 1 | Number of logical cylinders | 16,383 |
| 2 | Specific configuration: <p>37C8h Device requires SET FEATURES subcommand to spin-up after power-up and IDENTIFY DEVICE data is incomplete.</p> <p>738Ch Device requires SET FEATURES subcommand to spin-up after power-up and IDENTIFY DEVICE data is complete.</p> <p>8C73h Device does not require SET FEATURES subcommand to spin-up after power-up and IDENTIFY DEVICE data is incomplete.</p> <p>C837h Device does not require SET FEATURES subcommand to spin-up after power-up and IDENTIFY DEVICE data is complete.</p> | C837 _H |
| 3 | Number of logical heads | 16 |
| 4 | Retired | 0000 _H |
| 5 | Retired | 0000 _H |
| 6 | Number of logical sectors per logical track: 63 | 003F _H |
| 7–9 | Retired | 0000 _H |
| 10–19 | Serial number: (20 ASCII characters, 0000 _H = none) | ASCII |
| 20 | Retired | 0000 _H |
| 21 | Retired | 0400 _H |
| 22 | Obsolete | 0000 _H |
| 23–26 | Firmware revision (8 ASCII character string, padded with blanks to end of string) | x.xx |
| 27–46 | Drive model number: (40 ASCII characters, padded with blanks to end of string) | |
| 47 | (Bits 7–0) Maximum sectors per interrupt on Read multiple and Write multiple (16) | 8010 _H |
| 48 | Trusted Computing feature set options: <p>15 Shall be cleared to zero</p> <p>14 Shall be set to one</p> <p>13:1 Reserved for the Trusted Computing Group</p> <p>0 Trusted Computing feature set is supported</p> | 4000 _H |
| 49 | Standard Standby timer, IORDY supported and may be disabled | 2F00 _H |

Table 9 Identify Device commands (continued)

| Word | Description | Value |
|-------|--|-------------------|
| 50 | Capabilities: (see 7.17.7.17) 15 Shall be cleared to zero 14 Shall be set to one 13:2 Reserved 1 Obsolete 0 Shall be set to one to indicate a vendor specific Standby timer value minimum | 4000 _H |
| 51 | PIO data-transfer cycle timing mode | 0200 _H |
| 52 | Retired (Obsolete) | 0200 _H |
| 53 | 15:8 Free-fall Control Sensitivity 7:3 Reserved 2 the fields reported in word 88 are valid 1 the fields reported in words (70:64) are valid 0 Obsolete | 0007 _H |
| 54 | Number of current logical cylinders (Obsolete) | xxxx _H |
| 55 | Number of current logical heads (Obsolete) | xxxx _H |
| 56 | Number of current logical sectors per logical track (Obsolete) | xxxx _H |
| 57–58 | Current capacity in sectors (Obsolete) | xxxx _H |
| 59 | 15 The BLOCK ERASE EXT command is supported 14 The OVERWRITE EXT command is supported 13 The CRYPTO SCRAMBLE EXT command is supported 12 The Sanitize feature set is supported 11:9 Reserved 8 Multiple logical sector setting is valid 7:0 Current setting for number of logical sectors that shall be transferred per DRQ data block on READ/WRITE Multiple commands | 5C10 _H |
| 60–61 | Total number of user-addressable LBA sectors available (see Section 2.2 for related information) *Note: The maximum value allowed in this field is: 0FFFFFFFh (268,435,455 sectors, 137GB). Drives with capacities over 137GB will have 0FFFFFFFh in this field and the actual number of user-addressable LBAs specified in words 100-103. This is required for drives that support the 48-bit addressing feature. | 0FFFFFFFh* |
| 62 | Obsolete | 0000 _H |
| 63 | Multiword DMA active and modes supported (see note following this table) | xx07 _H |
| 64 | Advanced PIO modes supported (modes 3 and 4 supported) | 0003 _H |
| 65 | Minimum multiword DMA transfer cycle time per word (120 nsec) | 0078 _H |
| 66 | Recommended multiword DMA transfer cycle time per word (120 nsec) | 0078 _H |
| 67 | Minimum PIO cycle time without IORDY flow control (240 nsec) | 0078 _H |
| 68 | Minimum PIO cycle time with IORDY flow control (120 nsec) | 0078 _H |

Table 9 Identify Device commands (continued)

| Word | Description | Value |
|---------|---|-----------------------------|
| 69 | Additional Supported 15 CFAST Specification Support 14 Deterministic data in trimmed LBA range(s) is supported 13 Long Physical Sector Alignment Error Reporting Control is supported 12 Obsolete 11 READ BUFFER DMA is supported 10 WRITE BUFFER DMA is supported 9 Obsolete 8 DOWNLOAD MICROCODE DMA is supported 7 Reserved for IEEE 1667 6 0 = Optional ATA device 28-bit commands supported 5 Trimmed LBA range(s) returning zeroed data is supported 4 Device Encrypts All User Data 3 Extended Number of User Addressable Sectors is supported 2 All write cache is non-volatile 1:0 Reserved | 0000 _H |
| 70–74 | ATA-reserved | 0000 _H |
| 75 | Queue depth | 001F _H |
| 76 | SATA capabilities | xxxx _H |
| 77 | Reserved for future SATA definition | xxxx _H |
| 78 | SATA features supported | xxxx _H |
| 79 | SATA features enabled | xxxx _H |
| 80 | Major version number | 07F0 _H |
| 81 | Minor version number | 006D _H |
| 82 | Command sets supported | 306B _H |
| 83 | Command sets supported | 7561 _H |
| 84 | Command sets support extension (see note following this table) | 6173 _H |
| 85 | Command sets enabled | 30xx _H |
| 86 | Command sets enabled | B441 _H |
| 87 | Command sets enable extension | 6173 _H |
| 88 | Ultra DMA support and current mode (see note following this table) | xx7F _H |
| 89 | Security erase time | xxxx _H |
| 90 | Enhanced security erase time | xxxx _H |
| 92 | Master password revision code | FFFE _H |
| 93 | Hardware reset value | xxxx _H |
| 94 | Automatic acoustic management | D0D0 _H |
| 95–99 | ATA-reserved | 0000 _H |
| 100–103 | Total number of user-addressable LBA sectors available (see Section 2.2 for related information). These words are required for drives that support the 48-bit addressing feature. Maximum value: 0000FFFFFFFFFh. | ST4000DM005 = 7,814,037,168 |
| 104-105 | ATA-reserved | 0000 _H |
| 106 | Physical sector size / logical sector size | 6003 _H |

Table 9 Identify Device commands (continued)

| Word | Description | Value |
|---------|--|--------------------------------------|
| 107 | ATA-reserved | 0000 _H |
| 108-111 | The mandatory value of the world wide name (WWN) for the drive. NOTE: This field is valid if word 84, bit 8 is set to 1 indicating 64-bit WWN support. | Each drive will have a unique value. |
| 112-118 | ATA-reserved | 0000 _H |
| 119 | Commands and feature sets supported | 41DE _H |
| 120 | Commands and feature sets supported or enabled | 409C _H |
| 121-127 | ATA-reserved | 0000 _H |
| 128 | Security status | 0021 _H |
| 129-159 | Seagate-reserved | xxxx _H |
| 160-167 | ATA-reserved | 0000 _H |
| 168 | Device Nominal Form Factor | 0002 _H |
| 169-205 | ATA-reserved | 0000 _H |
| 206 | SCT Command Transport | 10A5 _H |
| 207-208 | ATA-reserved | 0000 _H |
| 209 | Alignment of logical blocks within a physical block | 4000 _H |
| 210-216 | ATA-reserved | 0000 _H |
| 217 | Nominal media rotation rate | 175C _H |
| 218-221 | ATA-reserved | 0000 _H |
| 222 | Transport major version number | 107F _H |
| 223-229 | ATA-reserved | 0000 _H |
| 230-233 | Extended Number of User Addressable Sectors | ST4000DM005 = 7,814,037,168 |
| 234-254 | ATA-reserved | 0000 _H |
| 255 | Integrity word | xxA5 _H |

Note

Advanced Power Management (APM) and Automatic Acoustic Management (AAM) features are not supported.

Note

See the bit descriptions below for words 63, 84, and 88 of the Identify Drive data.

| Description (if bit is set to 1) | |
|----------------------------------|---|
| | Bit Word 63 |
| | 0 Multiword DMA mode 0 is supported. |
| | 1 Multiword DMA mode 1 is supported. |
| | 2 Multiword DMA mode 2 is supported. |
| | 8 Multiword DMA mode 0 is currently active. |
| | 9 Multiword DMA mode 1 is currently active. |
| | 10 Multiword DMA mode 2 is currently active. |
| | Bit Word 84 |
| | 0 SMART error login is supported. |
| | 1 SMART self-test is supported. |
| | 2 Media serial number is supported. |
| | 3 Media Card Pass Through Command feature set is supported. |
| | 4 Streaming feature set is supported. |
| | 5 GPL feature set is supported. |
| | 6 WRITE DMA FUA EXT and WRITE MULTIPLE FUA EXT commands are supported. |
| | 7 WRITE DMA QUEUED FUA EXT command is supported. |
| | 8 64-bit World Wide Name is supported. |
| | 9-10 Obsolete. |
| | 11-12 Reserved for TLC. |
| | 13 IDLE IMMEDIATE command with IUNLOAD feature is supported. |
| | 14 Shall be set to 1. |
| | 15 Shall be cleared to 0. |
| | Bit Word 88 |
| | 0 Ultra DMA mode 0 is supported. |
| | 1 Ultra DMA mode 1 is supported. |
| | 2 Ultra DMA mode 2 is supported. |
| | 3 Ultra DMA mode 3 is supported. |
| | 4 Ultra DMA mode 4 is supported. |
| | 5 Ultra DMA mode 5 is supported. |
| | 6 Ultra DMA mode 6 is supported. |
| | 8 Ultra DMA mode 0 is currently active. |
| | 9 Ultra DMA mode 1 is currently active. |
| | 10 Ultra DMA mode 2 is currently active. |
| | 11 Ultra DMA mode 3 is currently active. |
| | 12 Ultra DMA mode 4 is currently active. |
| | 13 Ultra DMA mode 5 is currently active. |
| | 14 Ultra DMA mode 6 is currently active. |

4.3.2 Set Features command

This command controls the implementation of various features that the drive supports. When the drive receives this command, it sets BSY, checks the contents of the Features register, clears BSY and generates an interrupt. If the value in the register does not represent a feature that the drive supports, the command is aborted. Power-on default has the read look-ahead and write caching features enabled. The acceptable values for the Features register are defined as follows:

Table 10 Set Features command

| | |
|-----------------|--|
| 02 _H | Enable write cache (<i>default</i>) |
| 03 _H | Set transfer mode (based on value in Sector Count register) Sector Count register values: |
| | 00 _H Set PIO mode to default (PIO mode 2) |
| | 01 _H Set PIO mode to default and disable IORDY (PIO mode 2) |
| | 08 _H PIO mode 0 |
| | 09 _H PIO mode 1 |
| | 0A _H PIO mode 2 |
| | 0B _H PIO mode 3 |
| | 0C _H PIO mode 4 (<i>default</i>) |
| | 20 _H Multiword DMA mode 0 |
| | 21 _H Multiword DMA mode 1 |
| | 22 _H Multiword DMA mode 2 |
| | 40 _H Ultra DMA mode 0 |
| | 41 _H Ultra DMA mode 1 |
| | 42 _H Ultra DMA mode 2 |
| | 43 _H Ultra DMA mode 3 |
| | 44 _H Ultra DMA mode 4 |
| | 45 _H Ultra DMA mode 5 |
| | 46 _H Ultra DMA mode 6 |
| 06 _H | Enable the PUIS feature set |
| 07 _H | PUIS feature set device spin-up |
| 10 _H | Enable use of SATA features |
| 55 _H | Disable read look-ahead (read cache) feature |
| 82 _H | Disable write cache |
| 86 _H | Disable the PUIS feature set |
| 90 _H | Disable use of SATA features |
| AA _H | Enable read look-ahead (read cache) feature (<i>default</i>) |
| F1 _H | Report full capacity available |

Note

At power-on, or after a hardware or software reset, the default values of the features are as indicated above.

4.3.3 S.M.A.R.T. commands

S.M.A.R.T. provides near-term failure prediction for disk drives. When S.M.A.R.T. is enabled, the drive monitors predetermined drive attributes that are susceptible to degradation over time. If self-monitoring determines that a failure is likely, S.M.A.R.T. makes a status report available to the host. Not all failures are predictable. S.M.A.R.T. predictability is limited to the attributes the drive can monitor. For more information on S.M.A.R.T. commands and implementation, see the *Draft ATA-5 Standard*.

SeaTools diagnostic software activates a built-in drive self-test (DST S.M.A.R.T. command for D4_H) that eliminates unnecessary drive returns. The diagnostic software ships with all new drives and is also available at:

<http://seatools.seagate.com>.

This drive is shipped with S.M.A.R.T. features disabled. Users must have a recent BIOS or software package that supports S.M.A.R.T. to enable this feature. The table below shows the S.M.A.R.T. command codes that the drive uses.

Table 11 S.M.A.R.T. commands

| Code in features register | S.M.A.R.T. command |
|---------------------------|--|
| D0 _H | S.M.A.R.T. Read Data |
| D2 _H | S.M.A.R.T. Enable/Disable Attribute Autosave |
| D3 _H | S.M.A.R.T. Save Attribute Values |
| D4 _H | S.M.A.R.T. Execute Off-line Immediate (runs DST) |
| D5 _H | S.M.A.R.T. Read Log Sector |
| D6 _H | S.M.A.R.T. Write Log Sector |
| D8 _H | S.M.A.R.T. Enable Operations |
| D9 _H | S.M.A.R.T. Disable Operations |
| DA _H | S.M.A.R.T. Return Status |

Note

If an appropriate code is not written to the Features Register, the command is aborted and 0x04 (abort) is written to the Error register.



Seagate Technology LLC

AMERICAS *Seagate Technology LLC 10200 South De Anza Boulevard, Cupertino, California 95014, United States, 408-658-1000*