

A decorative graphic on the left side of the page, featuring a dashed circle, a solid blue circle, and several overlapping curved lines in blue and grey.

Product Manual

LD25 Series 5400.2

PATA

**ST980210A
ST940210A**

SATA

**ST980210AS
ST940210AS**

100450862
Rev. E
April 2008

©2007-2008, Seagate Technology LLC All rights reserved.

Publication number: 100450862, Rev. E

April 2008

Seagate, Seagate Technology and the Wave logo are registered trademarks of Seagate Technology LLC in the United States and/or other countries. LD25 Series, Seagate-SeaBOARD, SeaFONE, SeaTDD, and SeaTools are either trademarks or registered trademarks of Seagate Technology LLC or one of its affiliated companies in the United States and/or other countries. All other trademarks or registered trademarks are the property of their respective owners.

One gigabyte, or GB, equals one billion bytes and one terabyte, or TB, equals one trillion bytes when referring to hard drive capacity. Accessible capacity may vary depending on operating environment and formatting. Quantitative usage examples for various applications are for illustrative purposes. Actual quantities will vary based on various factors, including file size, file format, features and application software. Seagate reserves the right to change, without notice, product offerings or specifications.

Contents

1.0	Introduction	1
2.0	Drive specifications	3
2.1	Specification summaries	3
2.2	Formatted capacity	6
2.3	Default logical geometry	6
2.4	Recording and interface technology	7
2.5	Physical characteristics	7
2.6	Seek time	8
2.7	Time to ready	8
2.8	Power specifications	9
2.8.1	Power consumption	9
2.8.1.1	Typical current profile	10
2.8.2	Conducted noise	10
2.8.3	Voltage tolerance	10
2.8.4	Power-management modes	11
2.9	Environmental specifications	12
2.9.1	Ambient temperature	12
2.9.2	Temperature gradient	12
2.9.3	Humidity	12
2.9.3.1	Relative humidity	12
2.9.3.2	Wet bulb temperature	12
2.9.4	Altitude	12
2.9.5	Shock	13
2.9.5.1	Operating shock	13
2.9.5.2	Nonoperating shock	13
2.9.6	Vibration	13
2.9.6.1	Operating vibration	13
2.9.6.2	Nonoperating vibration	13
2.10	Acoustics	14
2.11	Electromagnetic immunity	14
2.12	Reliability	15
2.13	Agency certification	15
2.13.1	Safety certification	15
2.13.2	Electromagnetic compatibility	15
2.13.3	FCC verification	16
2.14	Environmental protection	17
2.14.1	European Union Restriction of Hazardous Substances (RoHS)	17
2.15	Corrosive environment	17
3.0	Configuring and mounting the drive	19
3.1	Handling and static-discharge precautions	19
3.2	Mounting the drive	19
3.3	Breather filter hole precautions	21
3.4	How to configure the drive	22
3.4.1	How to configure and connect Serial ATA (SATA) drives	22
3.4.1.1	How to configure the drive	22
3.4.1.2	How to connect SATA cables	22
3.4.2	How to configure Parallel ATA (PATA) drives	23
3.4.2.1	How to configure the drive as a master or slave	23

4.0	Interface	25
4.1	Serial ATA (SATA) Interface	26
	4.1.1 Hot-Plug compatibility.....	26
	4.1.2 Serial ATA device plug connector pin definitions	26
4.2	Parallel ATA (PATA) Interface	28
	4.2.1 PATA interface signals and connector pins	28
4.3	Supported commands.....	29
4.4	Identify Device command.....	31
4.5	Set Features command	35
4.6	S.M.A.R.T. commands.....	36
5.0	Seagate Technology support services	37

List of Figures

Figure 1.	Mounting dimensions—top, side and end view	20
Figure 2.	Breather filter hole location	21
Figure 3.	SATA connectors	22
Figure 4.	Attaching SATA cabling	22
Figure 5.	Jumper settings	23

1.0 Introduction

This manual describes the functional, mechanical and interface specifications for the following Seagate® LD25 Series 5400.2 drives:

Parallel ATA (PATA)	Serial ATA (SATA)
ST980210A	ST980210AS
ST940210A	ST940210AS

Seagate LD25 Series 5400.2 drives are 2.5-inch form factor products designed for non-notebook PC applications such as:

- Consumer electronics (gaming, small personal video recorders (PVRs) and digital video recorders (DVRs)
- Ultra-small desktop PCs
- Internet appliances
- Printers, copiers, and other devices that may use disc drives for data storage

LD25 Series 5400.2 drives are quieter, lighter and use less power than 3.5-inch drives. They are ideal for applications requiring the form and fit of a notebook drive but without some of the design specifications required by notebook drives such as high shock tolerance, high performance, and power management. LD25 Series drives are not presently suited for notebook applications or other environments with high operating temperatures.

These drives provide the following key features:

- 5,400-RPM spindle speed
- 2-Mbyte buffer
- High instantaneous (burst) data transfer rates
- Tunneling Magnetoresistive (TMR) recording heads
- State-of-the-art cache and on-the-fly error-correction algorithms
- Full-track multiple-sector transfer capability without local processor intervention
- Quiet operation
- 500 Gs nonoperating shock
- The 3D Defense System™ (Drive Defense, Data Defense, and Diagnostic Defense) provides the industry's most comprehensive protection for disc drives
- Support for S.M.A.R.T. drive monitoring and reporting
- Support for Read Multiple and Write Multiple commands

2.0 Drive specifications

Unless otherwise noted, all specifications are measured under ambient conditions, at 25°C, and nominal power. For convenience, the phrases *the drive* and *this drive* are used throughout this manual to indicate ST980210A, ST980210AS, ST940210A and ST940210AS model drives.

2.1 Specification summaries

The specifications listed in the following two tables are provided for quick reference. For details on specification measurement or definition, see the appropriate section of this manual.

Table 1: Specification summary for ATA/PATA (Parallel ATA) models

Drive specification	ST980210A	ST940210A
Formatted Gbytes (512 bytes/sector)*	80	40
Guaranteed sectors	156,301,488	78,140,160
Bytes per sector	512	
Default sectors per track	63	
Default read/write heads	16	
Default cylinders	16,383	
Spindle speed (RPM)	5,400	
Internal transfer rate (Mbits/sec max)	352	
I/O data-transfer rate (Mbytes/sec max)	100	
ATA data-transfer modes supported	PIO modes 0–4 Multiword DMA modes 0–2 Ultra DMA modes 0–5	
Cache buffer (Mbytes)	2	
Height	9.5 ± 0.2 mm (0.374 ± .008 inches)	
Width	69.85 ± 0.25 mm (2.750 ± 0.010 inches)	
Length	100.2 ± 0.25 mm (3.945 ± 0.010 inches)	
Weight (typical)	100 grams (0.22 lb)	
Average latency (msec)	5.6	
Power-on to ready (sec typical)	3.0	
Standby to ready (sec typical)	3.0	
Track-to-track seek time (msec typical)	1.0 (read), 1.5 (write)	
Average seek, read (msec typical)	<14	
Average seek, write (msec typical)	<15	
Full-stroke seek (msec)	<23 (read); <26 (write)	
Startup current 5V (amps typical) (max = +/- 10%)	1.0	
Seek power, random r/w, desktop usage (watts, typical)	2.3	
Idle mode (watts, typical)	1.95	
Standby and sleep modes (watts, typical)	≤ 0.25	

Table 1: Specification summary for ATA/PATA (Parallel ATA) models

Drive specification	ST980210A	ST940210A
Voltage tolerance (including noise)	5V ± 5%	
Ambient temperature	0° to 60°C (operating), -40° to 70°C (nonoperating)	
Temperature gradient (°C per hour max, noncondensing)	20°C (operating) 30°C (nonoperating)	
Relative humidity (noncondensing)	8% to 90% (operating) 5% to 95% (nonoperating)	
Relative humidity gradient	30% per hour max	
Wet bulb temperature (°C max)	30°C (operating) 40°C (nonoperating)	
Altitude, operating	-304.8 m to 3,048 m (-1000 ft to 10,000 ft)	
Altitude, nonoperating (below mean sea level, max)	-304.8 m to 12,192 m (-1,000 ft to 40,000 ft)	
Shock, operating (Gs max at 2 msec)	175	
Shock, nonoperating (Gs max at 2 msec)	500	
Shock, nonoperating (Gs max at 1 msec)	350	
Shock, nonoperating (Gs max at 0.5 msec)	200	
Vibration, operating	0.5 G (5–350 Hz) 0.25 G (351–500 Hz)	
Vibration, nonoperating	5 Gs (10–350 Hz) 1.0 G (351–500 Hz)	
Drive acoustics, sound power (Bels)		
Idle**	2.4 (typical)	
Seek	2.6 (typical)	
Nonrecoverable read errors	1 per 10 ¹⁴ bits read	
Annualized Failure Rate (AFR)	<0.6%, Desktop and gaming, 2400 Power-on-hours <2.0%, PRV/DVR, 8760 Power-on-hours	
Warranty	To determine the warranty for a specific drive, use a web browser to access the following web page: www.seagate.com/support/service/ From this page, click on the "Verify Your Warranty" link. You will be asked to provide the drive serial number, model number (or part number) and country of purchase. The system will display the warranty information for your drive.	
Load/Unload (U/UL) cycles		
Controlled L/UL cycles (40°C, 50% relative humidity)	50,000	
Emergency L/UL cycles (40°C, 50% relative humidity)	20,000	

*One Gbyte equals one billion bytes when referring to hard drive capacity. Accessible capacity may vary depending on operating environment and formatting.

*During periods of drive idle, some offline activity may occur, according to the S.M.A.R.T. specification, which may increase acoustic and power to operational levels.

Table 2: Specifications for SATA (Serial ATA) models

Drive specification	ST980210AS	ST940210AS
Formatted Gbytes (512 bytes/sector)*	80	40
Guaranteed sectors	156,301,488	78,140,160
Bytes per sector	512	
Default sectors per track	63	
Default read/write heads	16	
Default cylinders	16,383	
Spindle speed (RPM)	5,400	
Internal transfer rate (Mbits/sec max)	352	
I/O data-transfer rate (Mbytes/sec max)	150	
ATA data-transfer modes supported	PIO modes 0–4 Multiword DMA modes 0–2 Ultra DMA modes 0–5	
Cache buffer (Mbytes)	2	
Height	9.5 ± 0.2 mm (0.374 ± .008 inches)	
Width	69.85 ± 0.25 mm (2.750 ± 0.010 inches)	
Length	100.2 ± 0.25 mm (3.945 ± 0.010 inches)	
Weight (typical)	100 grams (0.22 lb)	
Average latency (msec)	5.6	
Power-on to ready (sec typical)	3.0	
Standby to ready (sec typical)	3.0	
Track-to-track seek time (msec typical)	1.0 (read), 1.5 (write)	
Average seek, read (msec typical)	<14	
Average seek, write (msec typical)	<15	
Full-stroke seek (msec)	<23 (read); <26 (write)	
Startup current 5V (amps typical) (max = +/- 10%)	1.0	
Seek power, random r/w, desktop usage (watts, typical)	2.9	
Idle mode (watts, typical)	2.5	
Standby and sleep modes (watts, typical)	≤1.15	
Voltage tolerance (including noise)	5V ± 5%	
Ambient temperature	0° to 60°C (operating), –40° to 70°C (nonoperating)	
Temperature gradient (°C per hour max, noncondensing)	20°C (operating) 30°C (nonoperating)	
Relative humidity (noncondensing)	8% to 90% (operating) 5% to 95% (nonoperating)	
Relative humidity gradient	30% per hour max	
Wet bulb temperature (°C max)	30°C (operating) 40°C (nonoperating)	
Altitude, operating	–304.8 m to 3,048 m (–1000 ft to 10,000 ft)	
Altitude, nonoperating (below mean sea level, max)	–304.8 m to 12,192 m (–1,000 ft to 40,000 ft)	
Shock, operating (Gs max at 2 msec)	175	
Shock, nonoperating (Gs max at 2 msec)	500	
Shock, nonoperating (Gs max at 1 msec)	350	
Shock, nonoperating (Gs max at 0.5 msec)	200	
Vibration, operating	0.5 G (5–350 Hz) 0.25 G (351–500 Hz)	
Vibration, nonoperating	5 Gs (10–350 Hz) 1.0 G (351–500 Hz)	

Table 2: Specifications for SATA (Serial ATA) models

Drive specification	ST980210AS	ST940210AS
Drive acoustics, sound power (Bels)		
Idle**	2.4 (typical)	
Seek	2.6 (typical)	
Nonrecoverable read errors	1 per 10 ¹⁴ bits read	
Annualized Failure Rate (AFR)	<0.6% (Desktop and gaming: 2400 power-on-hours) <2.0% (PVR/DVR: 8760 power-on-hours)	
Warranty	To determine the warranty for a specific drive, use a web browser to access the following web page: www.seagate.com/support/service/ From this page, click on the "Verify Your Warranty" link. You will be asked to provide the drive serial number, model number (or part number) and country of purchase. The system will display the warranty information for your drive.	
Load/Unload (U/UL) cycles		
Controlled L/UL cycles (40°C, 50% relative humidity)	50,000	
Emergency L/UL cycles (40°C, 50% relative humidity)	20,000	

*One Gbyte equals one billion bytes when referring to hard drive capacity. Accessible capacity may vary depending on operating environment and formatting.

*During periods of drive idle, some offline activity may occur, according to the S.M.A.R.T. specification, which may increase acoustic and power to operational levels.

2.2 Formatted capacity

Model	Formatted capacity*	Guaranteed sectors	Bytes per sector
ST980210A/AS	80 Gbytes	156,301,488	512
ST940210A/AS	40 Gbytes	78,140,160	512

*One Gbyte equals one billion bytes when referring to hard drive capacity. Accessible capacity may vary depending on operating environment and formatting.

2.3 Default logical geometry

Cylinders	Read/write heads	Sectors per track
16,383	16	63

LBA mode

When addressing these drives in LBA mode, all blocks (sectors) are consecutively numbered from 0 to $n-1$, where n is the number of guaranteed sectors as defined above.

2.4 Recording and interface technology

Interface	Parallel ATA
Recording density BPI (bits/inch typical)	829,700
Track density TPI (tracks/inch typical)	143,600
Areal density (Gbits/inch ² max)	130
Spindle speed (RPM) ($\pm 0.2\%$)	5,400
Internal transfer rate (Mbits/sec max)	352
I/O data-transfer rate (Mbytes/sec max) PATA SATA	100 (Ultra DMA mode 5) 150
Interleave	1:1
Cache buffer	2 Mbytes (2,048 kbytes)

2.5 Physical characteristics

Height	(mm) (inches)	9.5 ± 0.2 0.374 ± 0.008
Width	(mm) (inches)	69.85 ± 0.25 2.750 ± 0.010
Length	(mm) (inches)	100.2 ± 1.45 3.945 ± 0.057
Typical weight	(grams) (pounds)	100 0.22

2.6 Seek time

Seek measurements are taken with nominal power at 25°C ambient temperature. All times are measured using drive diagnostics. The specifications below are defined as follows:

- Track-to-track seek time is an average of all possible single-track seeks in both directions.
- Average seek time is a true statistical random average of at least 5,000 measurements of seeks between random tracks, less overhead.

Typical seek times (msec)	Read	Write
Track-to-track	1.0	1.5
Average	<15	<15
Full-stroke	<23	<26
Average latency	5.6	5.6

Note. These drives are designed to consistently meet the seek times represented in this manual. Physical seeks, regardless of mode (such as track-to-track and average), are expected to meet or exceed the noted values. However, due to the manner in which these drives are formatted, benchmark tests that include command overhead or measure logical seeks may produce results that vary from these specifications.

2.7 Time to ready

Time to ready	Typical	Max @ 25°C
Power-on to Ready (sec)	3.0	8.0
Standby to Ready (sec)	3.0	8.0

2.8 Power specifications

The drive receives DC power (+5V) through the 4-pin power connector.

2.8.1 Power consumption

Power requirements for the drives are listed in the table on page 9. Typical power measurements are based on an average of drives tested, under nominal conditions, at 25°C ambient temperature.

- **Spinup power**

Spinup power is measured from the time of power-on to the time that the drive spindle reaches operating speed.

- **Seek mode**

During seek mode, the read/write actuator arm moves toward a specific position on the disc surface and does not execute a read or write operation. Servo electronics are active. Seek mode power is measured based on three random seek operations every 100 msecs. This mode is not typical.

- **Read/write power and current**

Read/write power is measured with the heads on track, based on three 63 sector read or write operations every 100 msecs.

- **Idle mode power***

Idle mode power is measured with the drive up to speed, with servo electronics active and with the heads in a random track location.

- **Standby mode**

During Standby mode, the drive accepts commands, but the drive is not spinning, and the servo and read/write electronics are in power-down model

Table 3: DC power

Power dissipation	+5V average (25° C)
Spinup (typical)	1.0 Amp
Seek, random r/w, desktop usage PATA SATA	2.3 Watts 2.9 Watts
Idle* PATA SATA	1.95 Watts 2.5 Watts
Standby and sleep modes PATA SATA	≤ 0.25 Watts ≤ 1.15 Watts

*During periods of drive idle, some offline activity may occur according to the S.M.A.R.T. specification, which may increase acoustic and power to operational levels.

2.8.1.1 Typical current profile

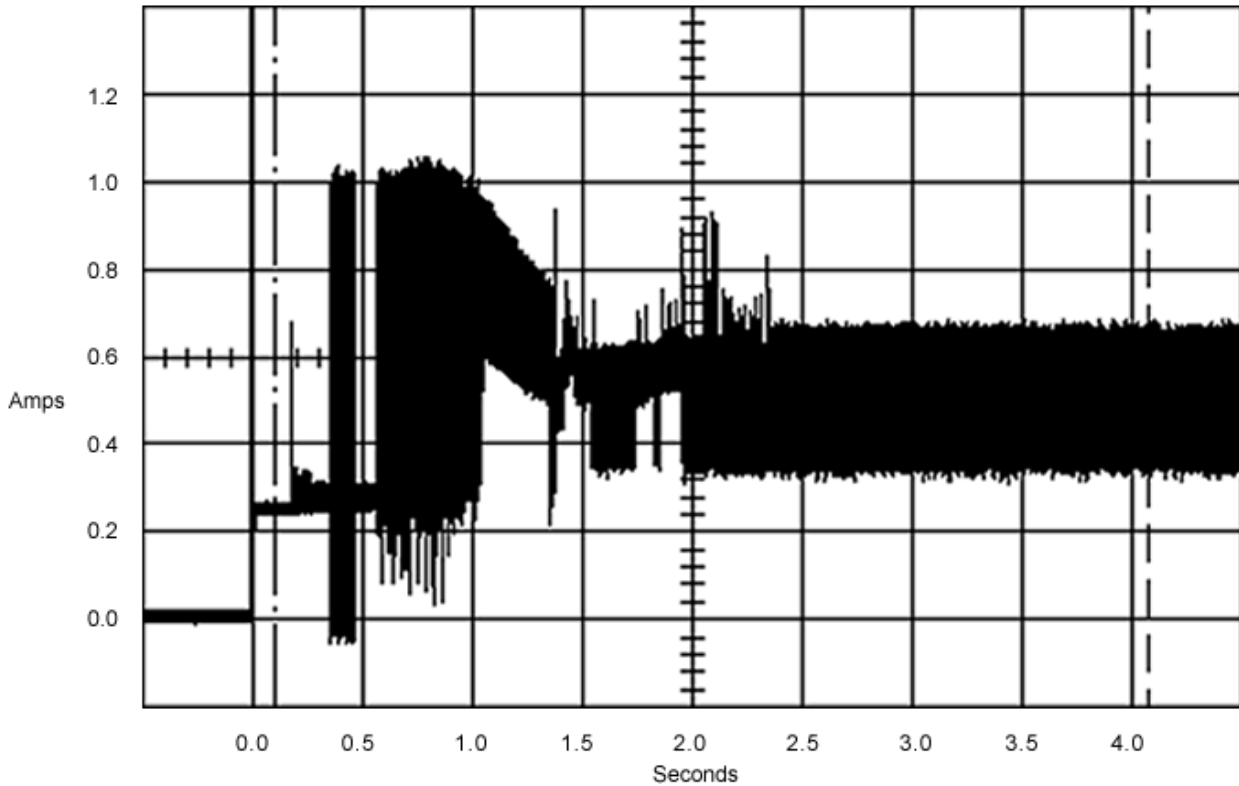


Figure 1. Typical 5V startup and operation current profile

2.8.2 Conducted noise

Input noise ripple is measured at the host system power supply across an equivalent 15-ohm resistive load on the +5 volt line.

Using 5-volt power, the drive is expected to operate with a maximum of 100 mV peak-to-peak square-wave injected noise at up to 10 MHz.

Note. Equivalent resistance is calculated by dividing the nominal voltage by the typical RMS read/write current.

2.8.3 Voltage tolerance

Voltage tolerance (including noise):

5V \pm 5%

2.8.4 Power-management modes

The drive provides programmable power management to provide greater energy efficiency. In most systems, you can control power management through the system setup program. The drive features the following power-management modes:

Table 4: Power management modes

Power modes	Heads	Spindle	Buffer
Active (operating)	Tracking	Rotating	Enabled
Idle	Tracking	Rotating	Enabled
Idle, active	Floating	Rotating	Disabled
Idle, low power	Parked	Rotating	Disabled
Standby	Parked	Stopped	Enabled
Sleep	Parked	Stopped	Disabled

- **Active mode**

The drive is in Active mode during the read/write and seek operations.

- **Idle mode**

The buffer remains enabled in performance mode, and the drive accepts all commands and returns to Active mode any time disc access is necessary.

- **Standby mode**

The drive enters Standby mode when the host sends a Standby Immediate command. If the host has set the standby timer, the drive can also enter Standby mode automatically after the drive has been inactive for a specifiable length of time. The standby timer delay is established using a Standby or Idle command. In Standby mode, the drive buffer is enabled, the heads are parked and the spindle is at rest. The drive accepts all commands and returns to Active mode any time disc access is necessary.

- **Sleep mode**

The drive enters Sleep mode after receiving a Sleep command from the host. In Sleep mode, the drive buffer is disabled, the heads are parked and the spindle is at rest. The drive leaves Sleep mode after it receives a Hard Reset or Soft Reset from the host. After receiving a reset, the drive exits Sleep mode and enters Standby mode with all current translation parameters intact.

2.9 Environmental specifications

2.9.1 Ambient temperature

Ambient temperature is defined as the temperature of the environment immediately surrounding the drive. Actual drive case temperature should not exceed 65°C (149°F) within the operating ambient conditions.

Above 1,000 feet (305 meters), the maximum temperature is derated linearly by 1°C every 1000 feet.

Operating	0° to 60°C (32° to 140°F)
Nonoperating	–40° to 70°C (–40° to 158°F)

2.9.2 Temperature gradient

Operating	20°C per hour (68°F per hour) max, without condensation
Nonoperating	30°C per hour (86°F per hour) max

2.9.3 Humidity

2.9.3.1 Relative humidity

Operating	8% to 90% noncondensing (30% per hour) max
Nonoperating	5% to 95% noncondensing (30% per hour) max

2.9.3.2 Wet bulb temperature

Operating	30°C (86°F) max
Nonoperating	40°C (104°F) max

2.9.4 Altitude

Operating	–304.8 m to 3,048 m (–1,000 ft to 10,000 ft)
Nonoperating	–304.8 m to 12,192 m (–1,000 ft to 40,000 ft)

2.9.5 Shock

All shock specifications assume that the drive is mounted securely with the input shock applied at the drive mounting screws. Shock may be applied in the X, Y or Z axis.

2.9.5.1 Operating shock

These drives comply with the performance levels specified in this document when subjected to a maximum operating shock of 175 Gs based on half-sine shock pulses of 2 msec. Shocks should not be repeated more than two times per second.

2.9.5.2 Nonoperating shock

The nonoperating shock level that the drive can experience without incurring physical damage or degradation in performance when subsequently put into operation is 500 Gs based on a nonrepetitive half-sine shock pulse of 2 msec duration.

The nonoperating shock level that the drive can experience without incurring physical damage or degradation in performance when subsequently put into operation is 350 Gs based on a nonrepetitive half-sine shock pulse of 1 msec duration.

The nonoperating shock level that the drive can experience without incurring physical damage or degradation in performance when subsequently put into operation is 200 Gs based on a nonrepetitive half-sine shock pulse of 0.5 msec duration.

2.9.6 Vibration

All vibration specifications assume that the drive is mounted securely with the input vibration applied at the drive mounting screws. Vibration may be applied in the X, Y or Z axis.

2.9.6.1 Operating vibration

The following table lists the maximum vibration levels that the drive may experience while meeting the performance standards specified in this document.

5–350 Hz	0.5 Gs
351-500 Hz	0.25 Gs

2.9.6.2 Nonoperating vibration

The following table lists the maximum nonoperating vibration that the drive may experience without incurring physical damage or degradation in performance when subsequently put into operation.

10–350 Hz	5.0 Gs
351-500 Hz	1.0 G

2.10 Acoustics

Drive acoustics are measured as overall A-weighted acoustic sound power levels. All measurements are consistent with ISO document 7779. Sound power measurements are taken under essentially free-field conditions over a reflecting plane. For all tests, the drive is oriented with the cover facing upward.

Note. For seek mode tests, the drive is placed in seek mode only. The number of seeks per second is defined by the following equation:

$$(\text{Number of seeks per second} = 0.4 / (\text{average latency} + \text{average access time}))$$

Table 5: Drive level acoustics

Idle*	Seek
2.4 Bels (typ)	2.6 Bels (typ)

*During periods of drive idle, some offline activity may occur according to the S.M.A.R.T. specification, which may increase acoustic and power to operational levels.

2.11 Electromagnetic immunity

When properly installed in a representative host system, the drive operates without errors or degradation in performance when subjected to the radio frequency (RF) environments defined in the following table:

Table 6: Electromagnetic immunity

Test	Description	Performance level	Reference standard
Electrostatic discharge	Contact, HCP, VCP: ± 4 kV; Air: ± 8 kV	B	EN 61000-4-2: 95
Radiated RF immunity	80 to 2,000 MHz, 10 V/m, 80% AM with 1 kHz sine 900 MHz, 3 V/m, 50% pulse modulation @ 200 Hz	A	EN 61000-4-3: 96 ENV 50204: 95
Electrical fast transient	± 1 kV on AC mains, ± 0.5 kV on external I/O	B	EN 61000-4-4: 95
Surge immunity	± 1 kV differential, ± 2 kV common, AC mains	B	EN 61000-4-5: 95
Conducted RF immunity	150 kHz to 80 MHz, 3 Vrms, 80% AM with 1 kHz sine	A	EN 61000-4-6: 97
Power Frequency H-field immunity	1 A/m, 50Hz/60Hz, 3 axes	A	EN 61000-4-8: 97
Voltage dips, interrupts	30% Reduction for 25 cycles >95% Reduction for 250 cycles >95%, 0.5 cycles	C C B	EN 61000-4-11: 94

A - 1) No upset or degradation in performance beyond manufacturer's specified limits.

2) No data loss.

B - 1) Unit self recovers without user intervention.

2) No data loss.

C - 1) Upset OK provided that unit will function after user intervention.

2.12 Reliability

Measurement type	Specification
Nonrecoverable read errors	1 per 10 ¹⁴ bits read, max.
Annualized Failure Rate (AFR)	<0.6% (Desktop and gaming: 2400 power-on-hours) <2.0% (PVR/DVR: 8760 power-on-hours)
Load/Unload (L/UL) Controlled L/UL cycles (40°C, 50% Relative Humidity)	50,000
Emergency L/UL cycles (40°C, 50% Relative Humidity)	20,000
Warranty	To determine the warranty for a specific drive, use a web browser to access the following web page: www.seagate.com/support/service/ From this page, click on the “Verify Your Warranty” link. You will be asked to provide the drive serial number, model number (or part number) and country of purchase. The system will display the warranty information for your drive.

2.13 Agency certification

2.13.1 Safety certification

The drives are recognized in accordance with UL 1950 and CSA C22.2 (950) and meet all applicable sections of IEC950 and EN 60950 as tested by TUV North America.

2.13.2 Electromagnetic compatibility

Hard drives that display the CE mark comply with the European Union (EU) requirements specified in the Electromagnetic Compatibility Directive (89/336/EEC). Testing is performed to the levels specified by the product standards for Information Technology Equipment (ITE). Emission levels are defined by EN 55022, Class B and the immunity levels are defined by EN 55024.

Seagate uses an independent laboratory to confirm compliance with the EC directives specified in the previous paragraph. Drives are tested in representative end-user systems. Although CE-marked Seagate drives comply with the directives when used in the test systems, we cannot guarantee that all systems will comply with the directives. The drive is designed for operation inside a properly designed enclosure, with properly shielded I/O cable (if necessary) and terminators on all unused I/O ports. Computer manufacturers and system integrators should confirm EMC compliance and provide CE marking for their products.

Korean RRL

If these drives have the Korea Ministry of Information and Communication (MIC) logo, they comply with paragraph 1 of Article 11 of the Electromagnetic Compatibility control Regulation and meet the Electromagnetic Compatibility (EMC) Framework requirements of the Radio Research Laboratory (RRL) Ministry of Information and Communication Republic of Korea.

These drives have been tested and comply with the Electromagnetic Interference/Electromagnetic Susceptibility (EMI/EMS) for Class B products. Drives are tested in a representative, end-user system by a Korean-recognized lab.

- Product family name: LD25 Series 5400.2
- Certificate number: STX - L253 (B)

Australian C-Tick (N176)

If these models have the C-Tick marking, they comply with the Australia/New Zealand Standard AS/NZS3548 1995 and meet the Electromagnetic Compatibility (EMC) Framework requirements of the Australian Communication Authority (ACA).

2.13.3 FCC verification

These drives are intended to be contained solely within a personal computer or similar enclosure (not attached as an external device). As such, each drive is considered to be a subassembly even when it is individually marketed to the customer. As a subassembly, no Federal Communications Commission verification or certification of the device is required.

Seagate Technology LLC has tested this device in enclosures as described above to ensure that the total assembly (enclosure, disc drive, motherboard, power supply, etc.) does comply with the limits for a Class B computing device, pursuant to Subpart J, Part 15 of the FCC rules. Operation with noncertified assemblies is likely to result in interference to radio and television reception.

Radio and television interference. This equipment generates and uses radio frequency energy and if not installed and used in strict accordance with the manufacturer's instructions, may cause interference to radio and television reception.

This equipment is designed to provide reasonable protection against such interference in a residential installation. However, there is no guarantee that interference will not occur in a particular installation. If this equipment does cause interference to radio or television, which can be determined by turning the equipment on and off, you are encouraged to try one or more of the following corrective measures:

- Reorient the receiving antenna.
- Move the device to one side or the other of the radio or TV.
- Move the device farther away from the radio or TV.
- Plug the computer into a different outlet so that the receiver and computer are on different branch outlets.

If necessary, you should consult your dealer or an experienced radio/television technician for additional suggestions. You may find helpful the following booklet prepared by the Federal Communications Commission: *How to Identify and Resolve Radio-Television Interference Problems*. This booklet is available from the Superintendent of Documents, U.S. Government Printing Office, Washington, DC 20402. Refer to publication number 004-000-00345-4.

2.14 Environmental protection

Seagate designs its products to meet environmental protection requirements worldwide, including regulations restricting certain chemical substances.

2.14.1 European Union Restriction of Hazardous Substances (RoHS)

The European Union Restriction of Hazardous Substances (RoHS) Directive restricts the presence of chemical substances, including Lead (Pb), in electronic products effective July 2006.

A number of parts and materials in Seagate products are procured from external suppliers. We rely on the representations of our suppliers regarding the presence of RoHS substances in these parts and materials. Our supplier contracts require compliance with our chemical substance restrictions, and our suppliers document their compliance with our requirements by providing material content declarations for all parts and materials for the disc drives documented in this publication. Current supplier declarations include disclosure of the inclusion of any RoHS-regulated substance in such parts or materials.

Seagate also has internal systems in place to ensure ongoing compliance with the RoHS Directive and all laws and regulations which restrict chemical content in electronic products. These systems include standard operating procedures that ensure that restricted substances are not utilized in our manufacturing operations, laboratory analytical validation testing, and an internal auditing process to ensure that all standard operating procedures are complied with.

2.15 Corrosive environment

Seagate electronic drive components pass accelerated corrosion testing equivalent to 10 years exposure to light industrial environments containing sulfurous gases, chlorine and nitric oxide, classes G and H per ASTM B845. However, this accelerated testing cannot duplicate every potential application environment.

Users should use caution exposing any electronic components to uncontrolled chemical pollutants and corrosive chemicals as electronic drive component reliability can be affected by the installation environment. The silver, copper, nickel and gold films used in Seagate products are especially sensitive to the presence of sulfide, chloride, and nitrate contaminants. Sulfur is found to be the most damaging. In addition, electronic components should never be exposed to condensing water on the surface of the printed circuit board assembly (PCBA) or exposed to an ambient relative humidity greater than 95%. Materials used in cabinet fabrication, such as vulcanized rubber, that can outgas corrosive compounds should be minimized or eliminated. The useful life of any electronic equipment may be extended by replacing materials near circuitry with sulfide-free alternatives.

3.0 Configuring and mounting the drive

This section contains the specifications and instructions for configuring and mounting the drive.

3.1 Handling and static-discharge precautions

After unpacking, and before installation, the drive may be exposed to potential handling and electrostatic discharge (ESD) hazards. Observe the following standard handling and static-discharge precautions:

Caution:

- Keep the drive in the electrostatic discharge (ESD) bag until you are ready for installation to limit the drive's exposure to ESD.
- Before handling the drive, put on a grounded wrist strap, or ground yourself frequently by touching the metal chassis of a computer that is plugged into a grounded outlet. Wear a grounded wrist strap throughout the entire installation procedure.
- Handle the drive only by its edges or frame.
- The drive is fragile—handle it with care. Do not press down on the drive top cover.
- Always rest the drive on a padded, antistatic surface until you mount it in the computer.
- Do not touch the connector pins or the printed circuit board.

Do not remove the factory-installed labels from the drive or cover them with additional labels. Removal voids the warranty. Some factory-installed labels contain information needed to service the drive. Other labels are used to seal out dirt and contamination.

3.2 Mounting the drive

Mount the drive using four screws in the side-mounting holes or four screws in the bottom-mounting holes. See Figure 2 for drive mounting dimensions. Follow these important mounting precautions when mounting the drive:

- Allow a minimum clearance of 0.030 inches (0.76 mm) around the entire perimeter of the drive for cooling.
- Use only M3 UNC mounting screws.
- Do not overtighten the mounting screws (maximum torque: 4.0 inch-lb).
- Four (4) threads (0.080 inches) minimum screw engagement recommended.

Measurements shown below are in inches.

- 1 DIMENSIONS PER EIA-720 OR SFF 8201 SPECIFICATION.
- 2 DIMENSIONS PER SFF 8212 OR SFF 8223.
- 3 DRIVE LENGTH W/ PATA IS $3.945 \pm .057$ (WORST CASE).
DRIVE LENGTH W/ SATA IS $3.957 \pm .062$ (WORST CASE).

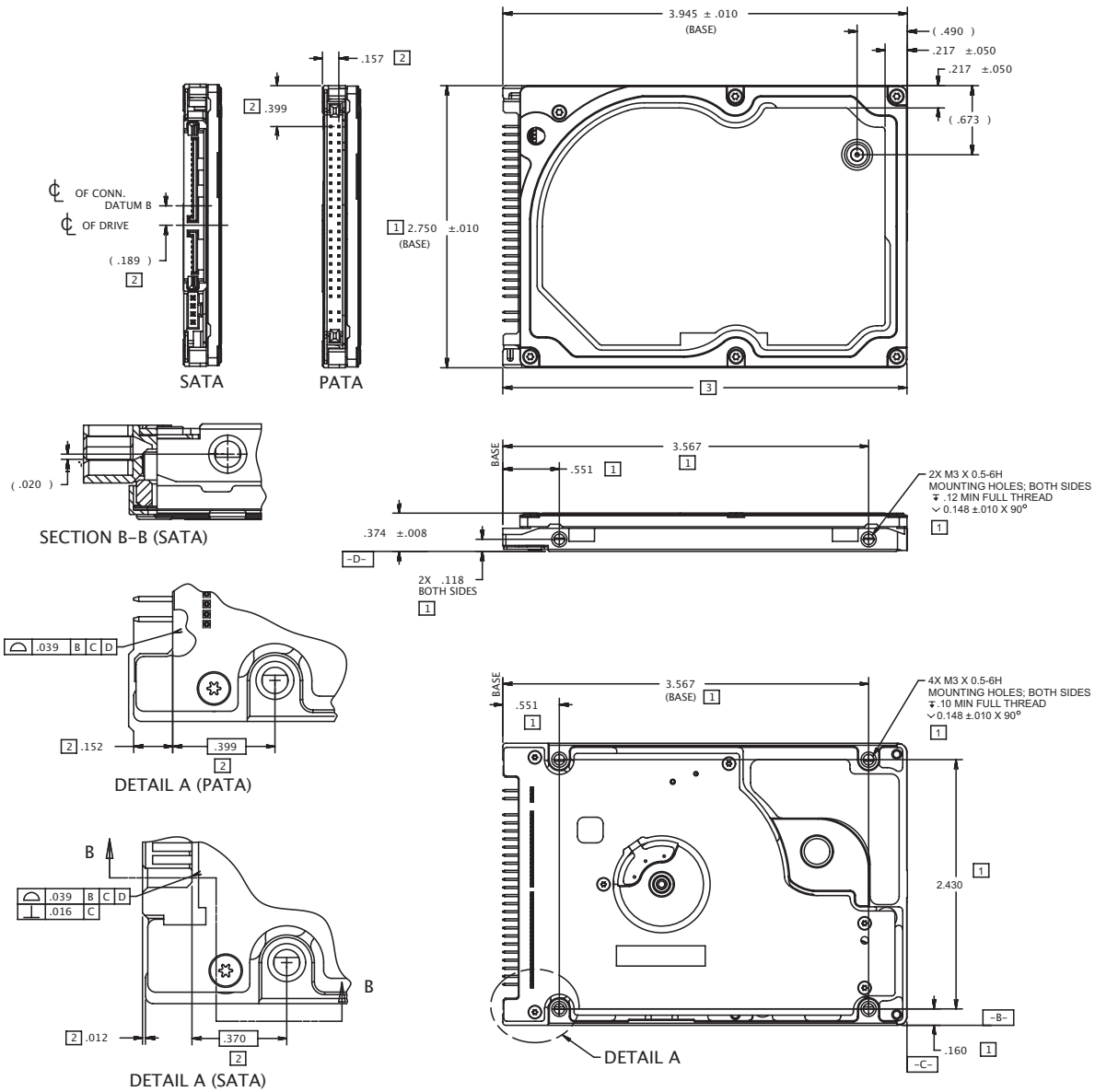


Figure 2. Mounting dimensions—top, side and end view

3.3 Breather filter hole precautions

Observe the following breather filter hole precautions to ensure full functionality and prevent possible damage to the drive.

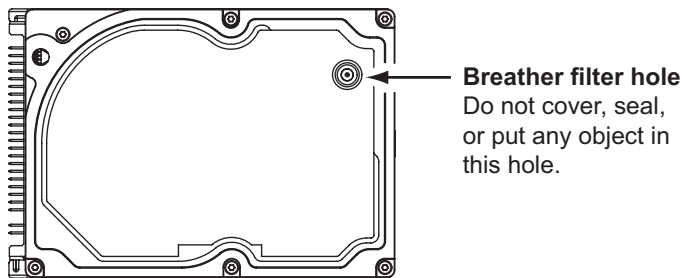


Figure 3 Breather filter hole location

Caution: Do not cover, seal, or insert any object into this hole.

This hole has two purposes:

- To allow condensation inside the hard disc to escape
- To allow air pressure inside the hard disc to equalize with ambient pressure

Note. If this hole is covered, sealed, or penetrated by any object, drive reliability may be compromised and could lead to permanent damage. Covering or sealing this hole voids the warranty.

3.4 How to configure the drive

See Section 3.4.1 on page 22 for SATA drives.

See Section 3.4.2 on page 23 for PATA drives.

3.4.1 How to configure and connect Serial ATA (SATA) drives

3.4.1.1 How to configure the drive

Each drive on the SATA interface connects in a point-to-point configuration with the SATA host adapter. There is no master/slave relationship because each drive is considered a master in a point-to-point relationships. If two drives are attached on one SATA host adapter, the host operating system views the two devices as if they were both “masters” on two separate ports. This means both drives behave as if they are Device 0 (master) devices.

SATA drives are designed for easy installation with no jumpers, terminators, or other settings. It is not necessary to set any jumpers on this drive for proper operation. The jumper block adjacent to the signal connector is for factory use only.

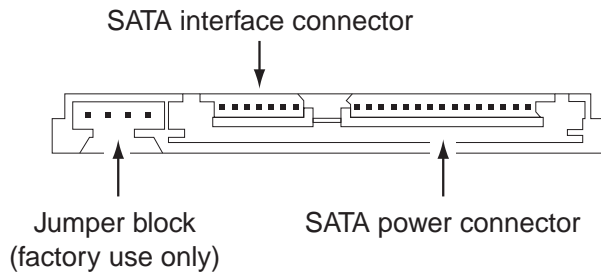


Figure 4. SATA connectors

3.4.1.2 How to connect SATA cables

The SATA interface cable consists of four conductors in two differential pairs, plus three ground connections. The cable size may be 30 to 26 AWG with a maximum length of one meter (39.37 inches). See Table 7 for connector pin definitions. Either end of the SATA signal cable can be attached to the drive or host.

For direct backplane connection, the drive connectors are inserted directly into the host receptacle. The drive and the host receptacle incorporate features that enable the direct connection to be hot pluggable and blind mateable.

For installations which require cables, you can connect the drive as illustrated in Figure 5.

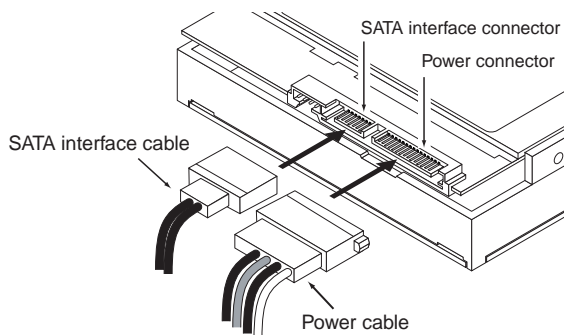


Figure 5. Attaching SATA cabling

Each cable is keyed to ensure correct orientation.

3.4.2 How to configure Parallel ATA (PATA) drives

Use the options jumper block shown in Figure 6 to configure the drive for operation. This jumper block is the 4-pin header adjacent to pins 1 and 2 of the I/O signal pins. For additional information about using the Cable select option, see Section 3.4.2.1.1.

3.4.2.1 How to configure the drive as a master or slave

Refer to Figure 6 to set the master, slave, or cable select option. The “Master or single drive” option is the factory default setting.

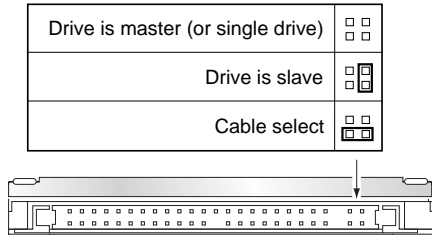


Figure 6. Jumper settings

3.4.2.1.1 How to use the cable-select option

Computers that use cable select determine the master and slave drives by selecting or deselecting pin 28, CSEL, on the interface bus. Master and slave drives are determined by their physical position on the cable. To enable cable select, set a jumper as shown in Figure 6. Refer to your computer manual to determine whether your computer supports this option.

4.0 Interface

Interface	Refer to
SATA	Section 4.1 beginning on page 26
PATA	Section 4.2 beginning on page 28

The following sections apply to both SATA and PATA drives.

- Supported commands (see section 4.3 on page 29)
- Identify Device command (see section 4.4 on page 31)
- Set Features command (see section 4.5 on page 35)
- S.M.A.R.T. commands (see section 4.6 on page 36)

4.1 Serial ATA (SATA) Interface

These drives use the industry-standard Serial ATA interface that supports FIS data transfers. It supports ATA programmed input/output (PIO) modes 0–4; multiword DMA modes 0–2, and Ultra DMA modes 0–6. The drive also supports the use of the IORDY signal to provide reliable high-speed data transfers.

For detailed information about the Serial ATA interface, refer to the “Serial ATA: High Speed Serialized AT Attachment” specification.

4.1.1 Hot-Plug compatibility

LD25 Series SATA drives incorporate connectors which enable you to hot plug these drives in accordance with the Serial ATA: High Speed Serialized AT Attachment specification revision 2.0. This specification can be downloaded from <http://www.serialata.com>.

4.1.2 Serial ATA device plug connector pin definitions

Table 7 summarizes the signals on the Serial ATA interface and power connectors..

Table 7: Serial ATA connector pin definitions

Segment	Pin	Function	Definition
Signal	S1	Ground	2nd mate
	S2	A+	Differential signal pair A from Phy
	S3	A-	
	S4	Ground	2nd mate
	S5	B-	Differential signal pair B from Phy
	S6	B+	
	S7	Ground	2nd mate

Key and spacing separate signal and power segments

Table 7: Serial ATA connector pin definitions

Segment	Pin	Function	Definition
Power	P1	V ₃₃	3.3V power
	P2	V ₃₃	3.3V power
	P3	V ₃₃	3.3V power, pre-charge, 2nd mate
	P4	Ground	1st mate
	P5	Ground	2nd mate
	P6	Ground	2nd mate
	P7	V ₅	5V power, pre-charge, 2nd mate
	P8	V ₅	5V power
	P9	V ₅	5V power
	P10	Ground	2nd mate
	P11	Reserved	The pin corresponding to P11 in the backplane receptacle connector is also reserved The corresponding pin to be mated with P11 in the power cable receptacle connector shall always be grounded
	P12	Ground	1st mate.
	P13	V ₁₂	12V power, pre-charge, 2nd mate
	P14	V ₁₂	12V power
	P15	V ₁₂	12V power

Notes:

- All pins are in a single row, with a 1.27 mm (0.050") pitch.
- The comments on the mating sequence apply to the case of backplane blindmate connector only. In this case, the mating sequences are:
 - the ground pins P4 and P12.
 - the pre-charge power pints and the other ground pins.
 - the signal pins and the rest of the power pins.
- There are three power pins for each voltage. One pin from each voltage is used for pre-charge when installed in a blind-mate backplane configuration.
- All used voltage pins (V_x) must be terminated.

4.2 Parallel ATA (PATA) Interface

These drives use the industry-standard ATA task file interface that supports 16-bit data transfers. It supports ATA programmed input/output (PIO) modes 0–4; multiword DMA modes 0–2, and Ultra DMA modes 0–5. The drive also supports the use of the IORDY signal to provide reliable high-speed data transfers.

For detailed information about the ATA interface, refer to the draft of *AT Attachment with Packet Interface Extension (ATA/ATAPI-6)*, *NCITS T13 1410D*, subsequently referred to as the *Draft ATA-6 Standard*.

4.2.1 PATA interface signals and connector pins

The following table summarizes the signals on the 44-pin ATA interface connector. For a detailed description of these signals, refer to the draft *ATA-6 Standard*.

Table 8: Connector signals

Signal Name	Connector Contact	Cable Conductor
RESET-	1	1
DD7	3	3
DD6	5	5
DD5	7	7
DD4	9	9
DD3	11	11
DD2	13	13
DD1	15	15
DD0	17	17
Ground	19	19
DMARQ	21	21
DIOW-	23	23
DIOR-	25	25
IORDY	27	27
DMACK-	29	29
INTRQ	31	31
DA1	33	33
DA0	35	35
CS1FX-	37	37
DASP-	39	39
+5 V (Logic)	41	41
Ground (Return)	43	43

Cable Conductor	Connector Contact	Signal Name
2	2	Ground
4	4	DD8
6	6	DD9
8	8	DD10
10	10	DD11
12	12	DD12
14	14	DD13
16	16	DD14
18	18	DD15
20	20	(keypin)
22	22	Ground
24	24	Ground
26	26	Ground
28	28	PSYNC:CSEL
30	30	Ground
32	32	IOCS16-
34	34	PDIAG-
36	36	DA2
38	38	CS3FX-
40	40	Ground
42	42	+5V (Motor)
44	44	No connection

4.3 Supported commands

The following table lists the standard commands that the drive supports. See “S.M.A.R.T. commands” on page 36 for details and subcommands used in the S.M.A.R.T. implementation.

Command name	Command code (in hex)
ATA-standard commands	
Device Configuration Restore	B1h/C0h
Device Configuration Freeze Lock	B1h/C1h
Device Configuration Identify	B1h/C2h
Device Configuration Set	B1h/C3h
Download Microcode	92h
Execute Device Diagnostics	90h
Flush Cache	E7h
Flush Cache Extended	EAh
Identify Device	ECh
Initialize Device Parameters	91h
Read Buffer	E4h
Read DMA	C8h
Read DMA Extended	25h
Read DMA without Retries	C9h
Read Long with Retries	22h
Read Long without Retries	23h
Read Multiple	C4h
Read Multiple Extended	29h
Read Native Max Address	F8h
Read Native Max Address Extended	27h
Read Sectors	20h
Read Sectors Extended	24h
Read Sectors without Retries	21h
Read Verify Sectors	40h
Read Verify Sectors Extended	42h
Read Verify Sectors without Retries	41h
Seek	70h
Set Features	EFh
Set Max Address	F9h

Command name	Command code (in hex)	
Note: Individual Set Max commands are identified by the value placed in the Set Max Features register as defined to the right.	Address:	00 _H
	Password:	01 _H
	Lock:	02 _H
	Unlock:	03 _H
	Freeze Lock:	04 _H
Set Multiple Mode	C6h	
S.M.A.R.T. Disable Operations	B0h/D9h	
S.M.A.R.T. Enable/Disable Autosave	B0h/D2h	
S.M.A.R.T. Enable Operations	B0h/D8h	
S.M.A.R.T. Enable/Disable Auto Offline	B0h/DBh	
S.M.A.R.T. Enable One Attribute Modification	B0h/E0h	
S.M.A.R.T. Execute Offline	B0h/D4h	
S.M.A.R.T. Read Attribute Thresholds	B0h/D1h	
S.M.A.R.T. Read Data	B0h/D0h	
S.M.A.R.T. Read Log Sector	B0h/D5h	
S.M.A.R.T. Return Status	B0h/DAh	
S.M.A.R.T. Save Attribute Values	B0h/D3h	
S.M.A.R.T. Write Attribute Thresholds	B0h/D7h	
S.M.A.R.T. Write Attribute Values	B0h/E1h	
S.M.A.R.T. Write Log Sector	B0h/D6h	
Write Buffer	E8h	
Write DMA	CAh	
Write DMA Extended	35h	
Write DMA without Retries	CBh	
Write Long with Retries	32h	
Write Long without Retries	33h	
Write Multiple	C5h	
Write Sectors	30h, 31h	
Write Sectors Extended	34h	
ATA-standard power-management commands		
Check Power Mode	98h or E5h	
Idle	97h or E3h	
Idle Immediate	95h or E1h	
Sleep	99h or E6h	
Standby	96h or E2h	
Standby Immediate	94h or E0h	
ATA-standard security commands		

Command name	Command code (in hex)
Security Set Password	F1h
Security Unlock	F2h
Security Erase Prepare	F3h
Security Erase Unit	F4h
Security Freeze Lock	F5h
Security Disable Password	F6h

4.4 Identify Device command

The Identify Device command (command code EC_H) transfers information about the drive to the host following power up. The data is organized as a single 512-byte block of data, whose contents are shown in the table on page 27. All reserved bits or words should be set to zero. Parameters listed with an “x” are drive-specific or vary with the state of the drive. See Section 2.0 on page 3 for default parameter settings.

The following commands contain drive-specific features that may not be included in the Serial ATA specification.

Word	Description	Value
0	Configuration information: <ul style="list-style-type: none"> • Bit 15: 0 = ATA; 1 = ATAPI • Bit 7: removable media • Bit 6: removable controller • Bit 0: reserved 	0C5A _H
1	Number of logical cylinders	16,383
2	ATA-reserved	0000 _H
3	Number of logical heads	16
4	Retired	0000 _H
5	Retired	0000 _H
6	Number of logical sectors per logical track: 63	003F _H
7–9	Retired	0000 _H
10–19	Serial number: (20 ASCII characters, 0000 _H = none)	ASCII
20	Retired	0000 _H
21	Retired	0400 _H
22	Obsolete	0000 _H
23–26	Firmware revision (8 ASCII character string, padded with blanks to end of string)	x.xx
27–46	Drive model number: (40 ASCII characters, padded with blanks to end of string)	ST980210A ST980210AS ST940210A ST940210AS
47	(Bits 7–0) Maximum sectors per interrupt on Read multiple and Write multiple (16)	8010 _H
48	Reserved	0000 _H

Word	Description	Value
49	Standard Standby timer, IORDY supported and may be disabled	2F00 _H
50	ATA-reserved	0000 _H
51	PIO data-transfer cycle timing mode	0200 _H
52	Retired	0200 _H
53	Words 54–58, 64–70 and 88 are valid	0007 _H
54	Number of current logical cylinders	xxxx _H
55	Number of current logical heads	xxxx _H
56	Number of current logical sectors per logical track	xxxx _H
57–58	Current capacity in sectors	xxxx _H
59	Number of sectors transferred during a Read Multiple or Write Multiple command	xxxx _H
60–61	Total number of user-addressable LBA sectors available (see Section 2.2 for related information)	ST980210A = 156,301,488 ST980210AS = 156,301,488 ST940210A = 78,140,160 ST940210AS = 78,140,160
62	Retired	0000 _H
63	Multiword DMA active and modes supported (see note following this table)	xx07 _H
64	Advanced PIO modes supported (modes 3 and 4 supported)	0003 _H
65	Minimum multiword DMA transfer cycle time per word (120 nsec)	0078 _H
66	Recommended multiword DMA transfer cycle time per word (120 nsec)	0078 _H
67	Minimum PIO cycle time without IORDY flow control (240 nsec)	00F0 _H
68	Minimum PIO cycle time with IORDY flow control (120 nsec)	0078 _H
69–74	ATA-reserved	0000 _H
75	Queue depth	0000 _H
76–79	ATA-reserved	0000 _H
80	Major version number	003E _H
81	Minor version number	0000 _H
82	Command sets supported	306B _H
83	Command sets supported	4001 _H
84	Command sets support extension	4000 _H
85	Command sets enabled	30xx _H
86	Command sets enabled	0001 _H
87	Command sets enable extension	4000 _H
88	Ultra DMA support and current mode (see note following this table)	xx3F _H

Word	Description	Value
89	Security erase time	0000 _H
90	Enhanced security erase time	0000 _H
92	Master password revision code	FFFE _H
93	Hardware reset value (see description following this table)	xxxx _H
94	Auto acoustic management setting	xxxx _H
95–99	ATA-reserved	0000 _H
100–103	Total number of user-addressable LBA sectors available (see Section 2.2 for related information) These words are required for drives that support the 48-bit addressing feature. Maximum value: 0000FFFFFFFFFh.	ST980210A = 156,301,488 ST980210AS = 156,301,488 ST940210A = 78,140,160 ST940210AS = 78,140,160
104–127	ATA-reserved	0000 _H
128	Security status	0001 _H
129–159	Seagate-reserved	xxxx _H
160–254	ATA-reserved	0000 _H
255	Integrity word	xxA5 _H

Note. See the bit descriptions below for words 63, 88, 93 and 94 of the Identify Drive data:

Description (if bit is set to 1)

Bit	Word 63
0	Multiword DMA mode 0 is supported.
1	Multiword DMA mode 1 is supported.
2	Multiword DMA mode 2 is supported.
8	Multiword DMA mode 0 is currently active.
9	Multiword DMA mode 1 is currently active.
10	Multiword DMA mode 2 is currently active.
Bit	Word 88
0	Ultra DMA mode 0 is supported.
1	Ultra DMA mode 1 is supported.
2	Ultra DMA mode 2 is supported.
3	Ultra DMA mode 3 is supported.
4	Ultra DMA mode 4 is supported.
8	Ultra DMA mode 0 is currently active.
9	Ultra DMA mode 1 is currently active.
10	Ultra DMA mode 2 is currently active.

	11	Ultra DMA mode 3 is currently active.
	12	Ultra DMA mode 4 is currently active.
	13	Ultra DMA mode 5 is currently active.
	Bit	Word 93
	13	1 = 80-conductor cable detected, CBLID above V_{IH} 0 = 40-conductor cable detected, CBLID below V_{IL}

4.5 Set Features command

This command controls the implementation of various features that the drive supports. When the drive receives this command, it sets BSY, checks the contents of the Features register, clears BSY and generates an interrupt. If the value in the register does not represent a feature that the drive supports, the command is aborted. Power-on default has the read look-ahead and write caching features enabled. The acceptable values for the Features register are defined as follows:

Table 9: Set Features command values

02 _H	Enable write cache (<i>default</i>).
03 _H	Set transfer mode (based on value in Sector Count register). Sector Count register values:
00 _H	Set PIO mode to default (PIO mode 2).
01 _H	Set PIO mode to default and disable IORDY (PIO mode 2).
08 _H	PIO mode 0
09 _H	PIO mode 1
0A _H	PIO mode 2
0B _H	PIO mode 3
0C _H	PIO mode 4 (<i>default</i>)
20 _H	Multiword DMA mode 0
21 _H	Multiword DMA mode 1
22 _H	Multiword DMA mode 2
40 _H	Ultra DMA mode 0
41 _H	Ultra DMA mode 1
42 _H	Ultra DMA mode 2
43 _H	Ultra DMA mode 3
44 _H	Ultra DMA mode 4
45 _H	Ultra DMA mode 5
55 _H	Disable read look-ahead (read cache) feature.
82 _H	Disable write cache
AA _H	Enable read look-ahead (read cache) feature (<i>default</i>).
F1 _H	Report full capacity available

Note. At power-on, or after a hardware or software reset, the default values of the features are as indicated above.

4.6 S.M.A.R.T. commands

S.M.A.R.T. provides near-term failure prediction for disc drives. When S.M.A.R.T. is enabled, the drive monitors predetermined drive attributes that are susceptible to degradation over time. If self-monitoring determines that a failure is likely, S.M.A.R.T. makes a status report available to the host. Not all failures are predictable. S.M.A.R.T. predictability is limited to the attributes the drive can monitor. For more information on S.M.A.R.T. commands and implementation, see the *Draft ATA-5 Standard*.

SeaTools diagnostic software activates a built-in drive self-test (DST S.M.A.R.T. command for D4_H) that eliminates unnecessary drive returns. The diagnostic software ships with all new drives and is also available at: <http://seatools.seagate.com>.

This drive is shipped with S.M.A.R.T. features disabled. You must have a recent BIOS or software package that supports S.M.A.R.T. to enable this feature. The table below shows the S.M.A.R.T. command codes that the drive uses.

Table 10: S.M.A.R.T. commands

Code in features register	S.M.A.R.T. command
D0 _H	S.M.A.R.T. Read Data
D1 _H	Vendor-specific
D2 _H	S.M.A.R.T. Enable/Disable Attribute Autosave
D3 _H	S.M.A.R.T. Save Attribute Values
D4 _H	S.M.A.R.T. Execute Off-line Immediate (runs DST)
D5 _H	S.M.A.R.T. Read Log Sector
D6 _H	S.M.A.R.T. Write Log Sector
D7 _H	Vendor-specific
D8 _H	S.M.A.R.T. Enable Operations
D9 _H	S.M.A.R.T. Disable Operations
DA _H	S.M.A.R.T. Return Status

Note. If an appropriate code is not written to the Features Register, the command is aborted and 0x04 (abort) is written to the Error register.

5.0 Seagate Technology support services

Internet

For information regarding Seagate products and services, visit www.seagate.com. Worldwide support is available 24 hours daily by email for your questions.

Presales Support:

Presales@Seagate.com

Technical Support:

DiscSupport@Seagate.com

Warranty Support:

<http://www.seagate.com/support/service/index.html>

mySeagate

my.seagate.com is the industry's first Web portal designed specifically for OEMs and distributors. It provides self-service access to critical applications, personalized content and the tools that allow our partners to manage their Seagate account functions. Submit pricing requests, orders and returns through a single, password-protected Web interface-anytime, anywhere in the world.

spp.seagate.com

spp.seagate.com supports Seagate resellers with product information, program benefits and sales tools. You may register for customized communications that are not available on the web. These communications contain product launch, EOL, pricing, promotions and other channel-related information. To learn more about the benefits or to register, go to spp.seagate.com, any time, from anywhere in the world.

Seagate Service Centers

Presales Support

Our Presales Support staff can help you determine which Seagate products are best suited for your specific application or computer system, as well as product availability and compatibility.

Technical Support

Seagate technical support is available to assist you online at support.seagate.com or through one of our call centers. Have your system configuration information and your "ST" model number available.

SeaTDD™ (+1-405-324-3655) is a telecommunications device for the deaf (TDD). You can send questions or comments 24 hours daily and exchange messages with a technical support specialist during normal business hours for the call center in your region.

Customer Service Operations

Warranty Service

Seagate offers worldwide customer support for Seagate products. Seagate distributors, OEMs and other direct customers should contact their Seagate Customer Service Operations (CSO) representative for warranty-related issues. Resellers or end users of drive products should contact their place of purchase or Seagate warranty service for assistance. Have your serial number and model or part number available.

Data Recovery Services

Seagate offers data recovery services for all formats and all brands of storage media. Our data recovery services labs are currently located throughout the world. . Additional information, including an online request form and data loss prevention resources, is available at <http://services.seagate.com/index.aspx>

Authorized Service Centers

Seagate Service Centers are available on a global basis for the return of defective products. Contact your customer support representative for the location nearest you.

USA/Canada/Latin America support services

For an extensive list of telephone numbers to technical support, presales and warranty service in USA/Canada/Latin America, including business hours, go to the "Contact Us" page on www.seagate.com.

Global Customer Support

Presales, Technical, and Warranty Support

Call Center	Toll-free	Direct dial
USA, Canada, and Mexico	1-800-SEAGATE	+1-405-324-4700

Data Recovery Services

Call Center	Toll-free	Direct dial	FAX
USA, Canada, and Mexico	1-800-475-01435	+1-905-474-2162	1-800-475-0158 +1-905-474-2459

Europe, the Middle East and Africa Support Services

For an extensive list of telephone numbers to technical support, presales and warranty service in Europe, the Middle East and Africa, go to the "Contact Us" page on www.seagate.com.

Asia/Pacific Support Services

For an extensive list of telephone numbers to technical support, presales and warranty service in Asia/Pacific, go to the "Contact Us" page on www.seagate.com.

Index

Numerics

3D Defense System 1

A

acoustics 14
Active mode 11
Address 29
AFR 15
agency certification (regulatory) 15
altitude 12
ambient conditions 3
ambient temperature 8, 12
Annualized Failure Rate 15
areal density 7
ATA commands 29
Australian C-Tick 16
average seek time 8

B

BPI 7
breather filter hole precautions 21
buffer 1, 7
burst 1

C

cables and connectors 22
cable-select option 23
cache 1, 7
case temperature 12
CE mark 15
certification 15
Check Power Mode 30
compliance 15
conducted noise 10
conducted RF immunity 14
configuring the drive 19
connector pins 28
CSA C22.2 (950) 15
CSEL 23
C-Tick 16
current profile 10

D

Data Defense 1
data-transfer rates 1
DC power 9
density 7
Device Configuration Freeze Lock 29
Device Configuration Restore 29
Device Configuration Set 29

Diagnostic Defense 1
Diagnostics 29
dimensions 20
dissipation 9
Download Microcode 29
Drive Defense 1
drive diagnostics 8
drive monitoring 1

E

electrical fast transient 14
electromagnetic compatibility 15
Electromagnetic Compatibility Directive 15
electromagnetic immunity 14
electrostatic discharge 14
electrostatic discharge (ESD) 19
EMC compliance 15
EN 60950 15
enclosures 16
environmental specifications 12
error-correction algorithms 1
errors 15
ESD 19
European Union 15
European Union Restriction of Hazardous Substances 17
evice Configuration Identify 29
Execute Device Diagnostics 29

F

FCC verification 16
Flush Cache 29
Flush Cache Extended 29
formatted capacity 6
Freeze Lock 29
frequency 14

G

guaranteed sectors 6

H

handling 19
Handling precautions 19
heads 1
height 7
humidity 12

I

I/O data-transfer rate 7
Identify 29
Identify Device 29
Identify Device command 31
Idle 9, 30

- Idle and Standby timers 11
- Idle Immediate 30
- Idle mode 11
- Idle mode power 9
- IEC950 15
- Information Technology Equipment 15
- Initialize Device Parameters 29
- interface 7, 25
- interface signals 28
- interference 16
- interleave 7
- internal data-transfer rate OD 7
- ISO document 7779 14

K

- Korean RRL 16

L

- LBA mode 6
- length 7
- Load/Unload 15
- logical geometry 6

M

- Master/slave configuration 23
- Max Address 29
- maximum temperature 12
- Microcode 29
- modes 28
- monitoring 1
- mounting 19
- mounting the drive 19

N

- noise 10
- nominal power 3
- nonoperating shock 13
- nonoperating vibration 13
- nonrecoverable read errors 15

O

- operating shock 13
- operating vibration 13

P

- physical characteristics 7
- pins 28
- PIO 28
- point-to-point 22
- power consumption 9
- power dissipation 9
- power frequency h-field immunity 14

- power management 11
- power specifications 9
- power-management modes 11
- Power-on to Ready 8
- precautions 19
- programmable power management 11

R

- radiated RF immunity 14
- radio and television interference 16
- radio frequency (RF) 14
- random track location 9
- Read Buffer 29
- Read DMA 29
- Read DMA Extended 29
- Read DMA without Retries 29
- read errors 15
- Read Long with Retries 29
- Read Long without Retries 29
- Read Multiple 1, 29
- Read Multiple Extended 29
- Read Native Max Address 29
- Read Native Max Address Extended 29
- Read Sectors 29
- Read Sectors Extended 29
- Read Sectors without Retries 29
- Read Verify Sectors 29
- Read Verify Sectors Extended 29
- Read Verify Sectors without Retries 29
- read/write power and current 9
- recording and interface technology 7
- recording density 7
- recording heads 1
- relative humidity 12
- reliability 15
- resistance 10
- Retries 29
- RF 14
- RoHS 17

S

- S.M.A.R.T. 30
- S.M.A.R.T. drive monitoring 1
- S.M.A.R.T. implementation 29
- safety certification 15
- screws 19
- sectors 6
- Security Disable Password 31
- Security Erase Prepare 31
- Security Erase Unit 31
- Security Freeze Lock 31
- Security Set Password 31
- Security Unlock 31
- Seek 29

seek mode 9
seek time 8
Seeking 9
servo electronics 9
Set Features 29
Set Max Address 29
Set Multiple Mode 30
shock 13
signals 28
single-track seeks 8
Sleep 30
Sleep mode 11
sound 14
specifications 3
spindle speed 7
Spinup 9
spinup power 9
Standby 9, 30
Standby Immediate 30
Standby mode 9, 11
Standby to Ready 8
static-discharge 19
subassembly 16
support services 37
surge immunity 14

Write Long with Retries 30
Write Long without Retries 30
Write Multiple 1, 30
Write Sectors 30

T

technical support services 37
temperature 12
temperature gradient 12
time to ready 8
TMR 1
track density 7
track-to-track seek time 8
TUV North America 15

U

UL 1950 15

V

vibration 13
voltage 10
voltage dips, interrupts 14
voltage tolerance 10

W

Warranty 15
weight 7
wet bulb temperature 12
width 7
Write Buffer 30
Write DMA 30
Write DMA Extended 30



Seagate Technology LLC
920 Disc Drive, Scotts Valley, California 95066-4544, USA
Publication Number: 100450862, Rev. E, Printed in U.S.A.