

A decorative graphic on the left side of the page featuring a dashed circle, a solid blue circle, and several overlapping curved lines in blue and grey.

Product Manual

Momentum[®]5400.3

ST9160821A

ST9120822A

ST9100828A

ST980815A

ST960815A

ST940815A

100398876
Rev. C
August 2007

©2004-2007, Seagate Technology LLC All rights reserved.

Publication number: 100398876, Rev. C

August 2007

Seagate, Seagate Technology and the Wave logo are registered trademarks of Seagate Technology LLC in the United States and/or other countries. Momentus, Seagate-SeaBOARD, SeaFONE, SeaTDD, and SeaTools are either trademarks or registered trademarks of Seagate Technology LLC or one of its affiliated companies in the United States and/or other countries. All other trademarks or registered trademarks are the property of their respective owners.

One gigabyte, or GB, equals one billion bytes and one terabyte, or TB, equals one trillion bytes when referring to hard drive capacity. Accessible capacity may vary depending on operating environment and formatting. Quantitative usage examples for various applications are for illustrative purposes. Actual quantities will vary based on various factors, including file size, file format, features and application software. Seagate reserves the right to change, without notice, product offerings or specifications.

Contents

| | | |
|------------|---|-----------|
| 1.0 | Introduction | 1 |
| 2.0 | Drive specifications | 3 |
| 2.1 | Specification summary | 3 |
| 2.2 | Formatted capacity | 9 |
| 2.3 | Default logical geometry | 9 |
| 2.4 | Physical organization | 9 |
| 2.5 | Recording and interface technology | 10 |
| 2.6 | Physical characteristics | 10 |
| 2.7 | Seek time | 11 |
| 2.8 | Time to ready | 11 |
| 2.9 | Power specifications | 12 |
| 2.9.1 | Power consumption | 12 |
| 2.9.2 | Conducted noise | 13 |
| 2.9.3 | Voltage tolerance | 13 |
| 2.9.4 | Power-management modes | 14 |
| 2.10 | Environmental specifications | 15 |
| 2.10.1 | Ambient temperature | 15 |
| 2.10.2 | Temperature gradient | 15 |
| 2.10.3 | Humidity | 15 |
| 2.10.4 | Altitude | 15 |
| 2.10.5 | Shock | 16 |
| 2.10.6 | Vibration | 16 |
| 2.11 | Acoustics | 17 |
| 2.12 | Electromagnetic immunity | 17 |
| 2.13 | Reliability | 18 |
| 2.14 | Agency certification | 18 |
| 2.14.1 | Safety certification | 18 |
| 2.14.2 | Electromagnetic compatibility | 18 |
| 2.14.3 | FCC verification | 19 |
| 2.15 | Environmental protection | 20 |
| 2.15.1 | European Union Restriction of Hazardous Substances (RoHS) | 20 |
| 2.16 | Corrosive environment | 20 |
| 3.0 | Configuring and mounting the drive | 21 |
| 3.1 | Handling and static discharge precautions | 21 |
| 3.2 | Jumper settings | 22 |
| 3.2.1 | Master/slave configuration | 22 |
| 3.2.2 | Cable-select option | 22 |
| 3.3 | Drive mounting | 23 |
| 4.0 | ATA interface | 25 |
| 4.1 | ATA interface signals and connector pins | 25 |
| 4.1.1 | Supported ATA commands | 26 |
| 4.1.2 | Identify Device command | 29 |
| 4.1.3 | Set Features command | 32 |
| 5.0 | Compatibility summary | 33 |
| 5.1 | Installation considerations | 33 |
| 5.2 | BIOS versions tested | 35 |
| 5.3 | Operating system versions tested | 36 |
| 5.4 | Compatibility test configurations | 36 |
| 5.5 | Software utilities | 36 |
| 5.6 | Other certification | 36 |
| 6.0 | Seagate Technology support services | 37 |

List of Figures

| | | |
|-----------|--|----|
| Figure 1. | Typical 5V startup and operation current profile | 13 |
| Figure 2. | Jumper settings | 22 |
| Figure 3. | Mounting dimensions—top, side and end view | 23 |

1.0 Introduction

This manual describes the functional, mechanical and interface specifications for the following Seagate® Momentus®5400.3 drives:

- ST9160821A
- ST9120822A
- ST9100828A
- ST980815A
- ST960815A
- ST940815A

These drives provide the following key features:

- 5,400-RPM spindle speed.
- 8-Mbyte buffer.
- Quiet operation. Fluid Dynamic Bearing (FDB) motor.
- High instantaneous (burst) data transfer rates (up to 100 Mbytes per second) using Ultra DMA mode 5.
- Tunneling Magnetoresistive (TMR) recording heads. .
- State-of-the-art cache and on-the-fly error-correction algorithms.
- Full-track multiple-sector transfer capability without local processor intervention.
- 900 Gs nonoperating shock and 350 Gs operating shock.
- SeaTools™ diagnostic software performs a drive self-test that eliminates unnecessary drive returns.
- The 3D Defense System™, which includes Drive Defense, Data Defense, and Diagnostic Defense, offers the industry's most comprehensive protection for disc drives.
- Support for S.M.A.R.T. drive monitoring and reporting.
- Support for Read Multiple and Write Multiple commands.
- Support for autodetection of master/slave drives using cable select (CSEL).

2.0 Drive specifications

Unless otherwise noted, all specifications are measured under ambient conditions, at 25°C, and nominal power. For convenience, the phrases *the drive* and *this drive* are used throughout this manual to indicate ST9160821A, ST9120822A, ST9100828A, ST980815A, ST960815A, and ST940815A model drives.

2.1 Specification summary

The specifications listed in this table are for quick reference. For details on specification measurement or definition, see the appropriate section of this manual.

Table 1: Specifications for 160 and 120 Gbyte models

| Drive specification | ST9160821A | ST9120822A |
|---|---|-------------|
| Formatted Gbytes (512 bytes/sector)* | 160 | 120 |
| Guaranteed sectors | 312,581,808 | 234,441,648 |
| Bytes per sector | 512 | |
| Physical read/write heads | 4 | 3 |
| Discs | 2 | |
| Cache (Mbytes) | 8 | |
| Recording density, BPI (bits/inch typical) | 835k | |
| Track density, TPI (tracks/inch typical) | 150k | |
| Areal density (Gbits/inch ² max) | 132 | |
| Spindle speed (RPM) | 5,400 | |
| Internal data transfer rate (Mbits/sec max) | 352 | |
| I/O data-transfer rate (Mbytes/sec max) | 100 | |
| ATA data-transfer modes supported | PIO modes 0–4 Multiword DMA modes 0–2 Ultra DMA modes 0–5 | |
| Height | 9.5 +/-0.2 mm (0.374 +/-0.008 inches) | |
| Width | 69.85 +/-0.25 mm (2.750 +/-0.010 inches) | |
| Length | 100.50 +/-0.25 mm (3.957 +/-0.010 inches) | |
| Weight (typical) | 102 grams (0.22 lb) | |
| Average latency (msec) | 5.6 | |
| Power-on to ready (sec typical) | 3.0 | |
| Standby to ready (sec typical) | 3.0 | |
| Track-to-track seek time (msec typical) | 1.0 (read), 1.5 (write) | |
| Average random seek, write (msec typical) | 13.0 | |
| Average random seek, read (msec typical) | 11.0 | |
| Average random seek, (msec typical) | 12.5 | |
| Full-stroke seek (msec) | 22 (typical); 24 (max) | |
| Startup current 5V (typical) | 1.0 amps | |

Table 1: Specifications for 160 and 120 Gbyte models

| Drive specification | ST9160821A | ST9120822A |
|--|--|------------|
| Seek power (typical) | 2.0 watts | |
| Read/write power (typical) | Read: 2.0 watts; Write: 1.8 watts | |
| Idle mode (typical, low power) | 0.8 watts | |
| Standby mode | 0.2 watts (typical)*** | |
| Sleep mode | 0.2 watts (typical)*** | |
| Voltage tolerance (including noise) | 5V ± 5% | |
| Ambient temperature | 0° to 60°C (operating), -40° to 70°C (nonoperating) | |
| Temperature gradient (°C per hour max, noncondensing) | 20°C (operating) 30°C (nonoperating) | |
| Relative humidity (noncondensing) | 5% to 90% (operating) 5% to 95% (nonoperating) | |
| Relative humidity gradient | 30% per hour max | |
| Wet bulb temperature (°C max) | 30°C (operating) 38°C (nonoperating) | |
| Altitude, operating | -304.8 m to 3,048 m (-1000 ft to 10,000 ft) | |
| Altitude, nonoperating (below mean sea level) | -304.8 m to 12,192 m (-1,000 ft to 40,000 ft) max | |
| Shock, operating (Gs max at 2 msec) | 350 | |
| Shock, nonoperating (Gs max at 2 msec) | 800 | |
| Shock, nonoperating (Gs max at 1 msec) | 900 | |
| Shock, nonoperating (Gs max at 0.5 msec) | 400 | |
| Vibration, operating (max displacement may apply below 10 Hz) | 1.0 Gs (0 to peak, 5–500 Hz) | |
| Vibration, nonoperating (max displacement may apply below 22 Hz) | 5.0 Gs (0 to peak, 5–500 Hz) | |
| Drive acoustics, sound power (bels), 2 disc | | |
| Idle** | 2.4 (typical) 2.6 (max) | |
| Performance seek | 3.0 (typical) 3.2 (max) | |
| Nonrecoverable read errors | 1 per 10 ¹⁴ bits read | |
| Annualized Failure Rate (AFR) | <0.60% | |
| Load/Unload (U/UL) cycles | | |
| 25°C, 50% relative humidity | 600,000 software-controlled power on/off cycles 20,000 hard power on/off cycles | |
| 32°C, 80% relative humidity 5°C, 80% relative humidity 5°C, 20% relative humidity 60°C, 20% relative humidity | 600,000 software-controlled power on/off cycles 20,000 hard power on/off cycles | |
| Warranty | 5 years on distribution units. To determine the warranty for a specific drive, use a web browser to access the following web page: www.seagate.com/support/service/ From this page, click on the "Verify Your Warranty" link. You will be asked to provide the drive serial number, model number (or part number) and country of purchase. The system will display the warranty information for your drive. | |

*One Gbyte equals one billion bytes when referring to hard drive capacity. Accessible capacity may vary depending on operating environment and formatting.

**During periods of drive idle, some offline activity may occur, according to the S.M.A.R.T. specification, which may increase acoustic and power to operational levels.

***Typical notebooks will pull power to the drive when entering S3 and S4; while in the S3 and S4 states, drive sleep and drive standby modes will not contribute to battery power consumption.

Table 1: Specifications for 100 and 80 Gbyte models

| Drive specification | ST9100828A | ST980815A |
|--|---|---------------------|
| Formatted Gbytes (512 bytes/sector)* | 100 | 80 |
| Guaranteed sectors | 195,371,568 | 156,301,488 |
| Bytes per sector | 512 | |
| Physical read/write heads | 3 | 2 |
| Discs | 2 | 1 |
| Cache (Mbytes) | 8 | |
| Recording density, BPI (bits/inch typical) | 835k | |
| Track density, TPI (tracks/inch typical) | 150k | |
| Areal density (Gbits/inch ² max) | 132 | |
| Spindle speed (RPM) | 5,400 | |
| Internal data transfer rate (Mbits/sec max) | 352 | |
| I/O data-transfer rate (Mbytes/sec max) | 100 | |
| ATA data-transfer modes supported | PIO modes 0–4 Multiword DMA modes 0–2 Ultra DMA modes 0–5 | |
| Height | 9.5 +/-0.2 mm (0.374 +/-0.008 inches) | |
| Width | 69.85 +/-0.25 mm (2.750 +/-0.010 inches) | |
| Length | 100.50 +/-0.25 mm (3.957 +/-0.010 inches) | |
| Weight (typical) | 102 grams (0.22 lb) | 98 grams (0.216 lb) |
| Average latency (msec) | 5.6 | |
| Power-on to ready (sec typical) | 3.0 | |
| Standby to ready (sec typical) | 3.0 | |
| Track-to-track seek time (msec typical) | 1.0 (read), 1.5 (write) | |
| Average random seek, write (msec typical) | 13.0 | |
| Average random seek, read (msec typical) | 11.0 | |
| Average random seek, (msec typical) | 12.5 | |
| Full-stroke seek (msec) | 22 (typical); 24 (max) | |
| Startup current 5V (typical) | 1.0 amps | |
| Seek power (typical) | 2.0 watts | |
| Read/write power (typical) | Read: 2.0 watts; Write: 1.8 watts | |
| Idle mode (typical, low power) | 0.8 watts | |
| Standby mode | 0.2 watts (typical)*** | |
| Sleep mode | 0.2 watts (typical)*** | |
| Voltage tolerance (including noise) | 5V ± 5% | |
| Ambient temperature | 0° to 60°C (operating), –40° to 70°C (nonoperating) | |
| Temperature gradient (°C per hour max, noncondensing) | 20°C (operating) 30°C (nonoperating) | |
| Relative humidity (noncondensing) | 5% to 90% (operating) 5% to 95% (nonoperating) | |
| Relative humidity gradient | 30% per hour max | |
| Wet bulb temperature (°C max) | 30°C (operating) 38°C (nonoperating) | |
| Altitude, operating | –304.8 m to 3,048 m (–1000 ft to 10,000 ft) | |
| Altitude, nonoperating (below mean sea level) | –304.8 m to 12,192 m (–1,000 ft to 40,000 ft) max | |
| Shock, operating (Gs max at 2 msec) | 350 | |
| Shock, nonoperating (Gs max at 2 msec) | 800 | |

Table 1: Specifications for 100 and 80 Gbyte models

| Drive specification | ST9100828A | ST980815A |
|--|--|-----------|
| Shock, nonoperating (Gs max at 1 msec) | 900 | |
| Shock, nonoperating (Gs max at 0.5 msec) | 400 | |
| Vibration, operating (max displacement may apply below 10 Hz) | 1.0 Gs (0 to peak, 5–500 Hz) | |
| Vibration, nonoperating (max displacement may apply below 22 Hz) | 5.0 Gs (0 to peak, 5–500 Hz) | |
| Drive acoustics, sound power (bels), 2 disc | | |
| Idle** | 2.4 (typical) 2.6 (max) | |
| Performance seek | 2.9 (typical) 3.1 (max) | |
| Nonrecoverable read errors | 1 per 10 ¹⁴ bits read | |
| Annualized Failure Rate (AFR) | 0.60% | |
| Load/Unload (U/UL) cycles | | |
| 25°C, 50% relative humidity | 600,000 software-controlled power on/off cycles 20,000 hard power on/off cycles | |
| 32°C, 80% relative humidity 5°C, 80% relative humidity 5°C, 20% relative humidity 60°C, 20% relative humidity | 600,000 software-controlled power on/off cycles 20,000 hard power on/off cycles | |
| Warranty | 5 years on distribution units. To determine the warranty for a specific drive, use a web browser to access the following web page: www.seagate.com/support/service/ From this page, click on the “Verify Your Warranty” link. You will be asked to provide the drive serial number, model number (or part number) and country of purchase. The system will display the warranty information for your drive. | |

*One Gbyte equals one billion bytes when referring to hard drive capacity. Accessible capacity may vary depending on operating environment and formatting.

**During periods of drive idle, some offline activity may occur, according to the S.M.A.R.T. specification, which may increase acoustic and power to operational levels.

***Typical notebooks will pull power to the drive when entering S3 and S4; while in the S3 and S4 states, drive sleep and drive standby modes will not contribute to battery power consumption.

Table 1: Specifications for 60 and 40 Gbyte models

| Drive specification | ST960815A | ST940815A |
|--|---|------------------|
| Formatted Gbytes (512 bytes/sector)* | 60 | 40 |
| Guaranteed sectors | 117,410,240 | 78,140,160 |
| Bytes per sector | 512 | |
| Physical read/write heads | 2 | 1 |
| Discs | 1 | |
| Cache (Mbytes) | 8 | |
| Recording density, BPI (bits/inch typical) | 835k | |
| Track density, TPI (tracks/inch typical) | 150k | |
| Areal density (Gbits/inch ² max) | 132 | |
| Spindle speed (RPM) | 5,400 | |
| Internal data transfer rate (Mbits/sec max) | 352 | |
| I/O data-transfer rate (Mbytes/sec max) | 100 | |
| ATA data-transfer modes supported | PIO modes 0–4 Multiword DMA modes 0–2 Ultra DMA modes 0–5 | |
| Height | 9.5 +/-0.2 mm (0.374 +/- .008 inches) | |
| Width | 69.85 +/-0.25 mm (2.750 +/-0.010 inches) | |
| Length | 100.50 +/-0.25 mm (3.957 +/-0.010 inches) | |
| Weight (typical) | 98 grams (0.216 lb) | |
| Average latency (msec) | 5.6 | |
| Power-on to ready (sec typical) | 3.0 | |
| Standby to ready (sec typical) | 3.0 | |
| Track-to-track seek time (msec typical) | 1.0 (read), 1.5 (write) | |
| Average random seek, write (msec typical) | 13.0 | |
| Average random seek, read (msec typical) | 11.0 | |
| Average random seek, (msec typical) | 12.5 | |
| Full-stroke seek (msec) | 22 (typical); 24 (max) | |
| Startup current 5V (typical) | 1.0 amps | |
| Seek power (typical) | 2.0 watts | |
| Read/write power (typical) | Read: 2.0 watts; Write: 1.8 watts | |
| Idle mode (typical, low power) | 0.8 watts | |
| Standby mode | 0.2 watts (typical)*** | |
| Sleep mode | 0.2 watts (typical)*** | |
| Voltage tolerance (including noise) | 5V ± 5% | |
| Ambient temperature | 0° to 60°C (operating), –32° to 70°C (nonoperating) | |
| Temperature gradient (°C per hour max, noncondensing) | 20°C (operating) 30°C (nonoperating) | |
| Relative humidity (noncondensing) | 5% to 90% (operating) 5% to 95% (nonoperating) | |
| Relative humidity gradient | 30% per hour max | |
| Wet bulb temperature (°C max) | 30°C (operating) 38°C (nonoperating) | |
| Altitude, operating | –304.8 m to 3,048 m (–1000 ft to 10,000 ft) | |
| Altitude, nonoperating (below mean sea level) | –304.8 m to 12,192 m (–1,000 ft to 40,000 ft) max | |
| Shock, operating (Gs max at 2 msec) | 350 | |
| Shock, nonoperating (Gs max at 2 msec) | 800 | |

Table 1: Specifications for 60 and 40 Gbyte models

| Drive specification | ST960815A | ST940815A |
|--|--|-----------|
| Shock, nonoperating (Gs max at 1 msec) | 900 | |
| Shock, nonoperating (Gs max at 0.5 msec) | 400 | |
| Vibration, operating (max displacement may apply below 10 Hz) | 1.0 Gs (0 to peak, 5–500 Hz) | |
| Vibration, nonoperating (max displacement may apply below 22 Hz) | 5.0 Gs (0 to peak, 5–500 Hz) | |
| Drive acoustics, sound power (bels), 2 disc | | |
| Idle** | 2.4 (typical) 2.6 (max) | |
| Performance seek | 2.9 (typical) 3.1 (max) | |
| Nonrecoverable read errors | 1 per 10 ¹⁴ bits read | |
| Annualized Failure Rate (AFR) | <0.60% | |
| Load/Unload (U/UL) cycles | | |
| 25°C, 50% relative humidity | 600,000 software-controlled power on/off cycles 20,000 hard power on/off cycles | |
| 32°C, 80% relative humidity 5°C, 80% relative humidity 5°C, 20% relative humidity 60°C, 20% relative humidity | 600,000 software-controlled power on/off cycles 20,000 hard power on/off cycles | |
| Warranty | 5 years on distribution units. To determine the warranty for a specific drive, use a web browser to access the following web page: www.seagate.com/support/service/ From this page, click on the “Verify Your Warranty” link. You will be asked to provide the drive serial number, model number (or part number) and country of purchase. The system will display the warranty information for your drive. | |

*One Gbyte equals one billion bytes when referring to hard drive capacity. Accessible capacity may vary depending on operating environment and formatting.

**During periods of drive idle, some offline activity may occur, according to the S.M.A.R.T. specification, which may increase acoustic and power to operational levels.

***Typical notebooks will pull power to the drive when entering S3 and S4; while in the S3 and S4 states, drive sleep and drive standby modes will not contribute to battery power consumption.

2.2 Formatted capacity

| Model | Formatted capacity* | Guaranteed sectors | Bytes per sector |
|------------|---------------------|--------------------|------------------|
| ST9160821A | 160 Gbytes | 312,581,808 | 512 |
| ST9120822A | 120 Gbytes | 234,441,648 | 512 |
| ST9100828A | 100 Gbytes | 195,371,568 | 512 |
| ST980815A | 80 Gbytes | 156,301,488 | 512 |
| ST960815A | 60 Gbytes | 117,410,240 | 512 |
| ST940815A | 40 Gbytes | 78,140,160 | 512 |

*One Gbyte equals one billion bytes when referring to hard drive capacity. Accessible capacity may vary depending on operating environment and formatting.

2.3 Default logical geometry

| Cylinders | Read/write heads | Sectors per track |
|-----------|------------------|-------------------|
| 16,383 | 16 | 63 |

LBA mode

When addressing these drives in LBA mode, all blocks (sectors) are consecutively numbered from 0 to $n-1$, where n is the number of guaranteed sectors as defined above.

2.4 Physical organization

| Model | Read/write heads | Number of discs |
|------------|------------------|-----------------|
| ST9160821A | 4 | 2 |
| ST9120822A | 3 | 2 |
| ST9100828A | 3 | 2 |
| ST980815A | 2 | 1 |
| ST960815A | 2 | 1 |
| ST940815A | 1 | 1 |

2.5 Recording and interface technology

| Technology | Specification |
|--|-------------------------|
| Interface | Parallel ATA |
| Recording method | Perpendicular |
| Recording density BPI (bits/inch typical) | 835k |
| Track density TPI (tracks/inch typical) | 150k |
| Areal density (Gbits/inch ² max) | 132 |
| Spindle speed (RPM) ($\pm 0.2\%$) | 5,400 |
| Internal data-transfer rate OD (Mbits/sec max) | 352 |
| I/O data-transfer rate (Mbytes/sec max) | 100 (Ultra DMA mode 5) |
| Interleave | 1:1 |
| Cache buffer | 8 Mbytes (8,192 kbytes) |

2.6 Physical characteristics

| | | |
|----------------|--|--|
| Height | (mm) (inches) | 9.5 ± 0.2 0.374 ± 0.008 |
| Width | (mm) (inches) | 69.85 ± 0.25 2.750 ± 0.010 |
| Length | (mm) (inches) | 100.50 ± 0.25 3.957 ± 0.010 |
| Typical weight | | |
| | ST9160821A ST9120822A ST9100828A | 102 grams 0.22 pounds |
| | ST980815A ST960815A ST940815A | 98 grams 0.216 pounds |

2.7 Seek time

Seek measurements are taken with nominal power at 25°C ambient temperature. All times are measured using drive diagnostics. The specifications below are defined as follows:

- Track-to-track seek time is an average of all possible single-track seeks in both directions.
- Average seek time is a true statistical random average of at least 5,000 measurements of seeks between random tracks, less overhead.

| Typical seek times (msec)* | Read | Write |
|----------------------------|------|-------|
| Track-to-track | 1.0 | 1.5 |
| Average | 11.0 | 13.0 |
| Full-stroke | 22.0 | 24.0 |
| Average latency | 5.56 | 5.56 |

*Measured in performance mode

Note. These drives are designed to consistently meet the seek times represented in this manual. Physical seeks, regardless of mode (such as track-to-track and average), are expected to meet or exceed the noted values. However, due to the manner in which these drives are formatted, benchmark tests that include command overhead or measure logical seeks may produce results that vary from these specifications.

2.8 Time to ready

| Time to ready | Typical | Max @ 25°C |
|-------------------------|---------|------------|
| Power-on to Ready (sec) | 3.0 | 8.0 |
| Standby to Ready (sec) | 3.0 | 8.0 |

2.9 Power specifications

The drive receives DC power (+5V) through the interface connector.

2.9.1 Power consumption

Power requirements for the drives are listed in the table on page 12. Typical power measurements are based on an average of drives tested, under nominal conditions, at 25°C ambient temperature.

- **Spinup power**

Spinup power is measured from the time of power-on to the time that the drive spindle reaches operating speed.

- **Seek mode**

During seek mode, the read/write actuator arm moves toward a specific position on the disc surface and does not execute a read or write operation. Servo electronics are active. Seek mode power is measured based on three random seek operations every 100 msec. This mode is not typical.

- **Read/write power and current**

Read/write power is measured with the heads on track, based on three 63 sector read or write operations every 100 msec.

- **Idle mode power***

Idle mode power is measured with the drive up to speed, with servo electronics active and with the heads in a random track location.

- **Standby mode**

During Standby mode, the drive accepts commands, but the drive is not spinning, and the servo and read/write electronics are in power-down model

Table 2: DC power for 2 disk models

| Power dissipation | +5V average (25° C) |
|-----------------------|---------------------|
| Spinup (typical) | 1.0 amps |
| Seek | 2.0 watts |
| Read | 2.0 watts |
| Write | 1.8 watts |
| Idle, performance | 1.7 watts |
| Idle, active* | 0.99 watts |
| Idle, low power mode* | 0.8 watts |
| Standby | 0.2 watts |
| Sleep | 0.2 watts |

*During periods of drive idle, some offline activity may occur according to the S.M.A.R.T. specification, which may increase acoustic and power to operational levels.

2.9.1.1 Typical current profile

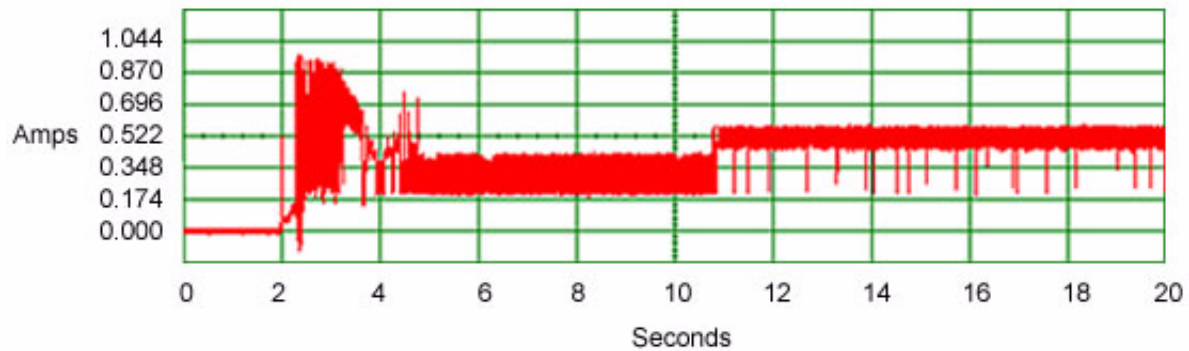


Figure 4. Typical 5V startup and operation current profile

2.9.2 Conducted noise

Input noise ripple is measured at the host system power supply across an equivalent 15-ohm resistive load on the +5 volt line.

Using 5-volt power, the drive is expected to operate with a maximum of 100 mV peak-to-peak square-wave injected noise at up to 10 MHz.

Note. Equivalent resistance is calculated by dividing the nominal voltage by the typical RMS read/write current.

2.9.3 Voltage tolerance

Voltage tolerance (including noise):

5V \pm 5%

2.9.4 Power-management modes

The drive provides programmable power management to provide greater energy efficiency. In most systems, you can control power management through the system setup program. The drive features the following power-management modes:

Table 3: Power management modes

| Power modes | Heads | Spindle | Buffer |
|--------------------|----------|----------|------------------------|
| Active (operating) | Tracking | Rotating | Full power |
| Idle, performance | Tracking | Rotating | Self refresh—low power |
| Idle, active | Floating | Rotating | Self refresh—low power |
| Idle, low power | Parked | Rotating | Self refresh—low power |
| Standby | Parked | Stopped | Self refresh—low power |
| Sleep | Parked | Stopped | Self refresh—low power |

- **Active mode**

The drive is in Active mode during the read/write and seek operations.

- **Idle mode**

The buffer remains enabled in performance mode, and the drive accepts all commands and returns to Active mode any time disc access is necessary.

- **Standby mode**

The drive enters Standby mode when the host sends a Standby Immediate command. If the host has set the standby timer, the drive can also enter Standby mode automatically after the drive has been inactive for a specifiable length of time. The standby timer delay is established using a Standby or Idle command. In Standby mode, the drive buffer is in Self Refresh Low Power mode, the heads are parked and the spindle is at rest. The drive accepts all commands and returns to Active mode any time disc access is necessary.

- **Sleep mode**

The drive enters Sleep mode after receiving a Sleep command from the host. In Sleep mode, the drive buffer is in Self Refresh Low Power mode, the heads are parked and the spindle is at rest. The drive leaves Sleep mode after it receives a Hard Reset or Soft Reset from the host. After receiving a reset, the drive exits Sleep mode and enters Standby mode with all current translation parameters intact.

- **Idle and Standby timers**

Each time the drive performs an Active function (read, write or seek), the standby timer is reinitialized and begins counting down from its specified delay times to zero. If the standby timer reaches zero before any drive activity is required, the drive makes a transition to Standby mode. In both Idle and Standby mode, the drive accepts all commands and returns to Active mode when disc access is necessary.

2.10 Environmental specifications

2.10.1 Ambient temperature

Ambient temperature is defined as the temperature of the environment immediately surrounding the drive. Actual drive case temperature should not exceed 65°C (149°F) within the operating ambient conditions.

Above 1,000 feet (305 meters), the maximum temperature is derated linearly by 1°C every 1000 feet.

| | |
|--------------|------------------------------|
| Operating | 0° to 60°C (32° to 140°F) |
| Nonoperating | –40° to 70°C (–40° to 158°F) |

2.10.2 Temperature gradient

| | |
|--------------|---|
| Operating | 20°C per hour (68°F per hour max), without condensation |
| Nonoperating | 30°C per hour (86°F per hour max), without condensation |

2.10.3 Humidity

2.10.3.1 Relative humidity

| | |
|--------------|--|
| Operating | 5% to 90% noncondensing (30% per hour max) |
| Nonoperating | 5% to 95% noncondensing (30% per hour max) |

2.10.3.2 Wet bulb temperature

| | |
|--------------|--------------------|
| Operating | 30°C (86°F max) |
| Nonoperating | 38°C (100.4°F max) |

2.10.4 Altitude

| | |
|--------------|---|
| Operating | –304.8 m to 3,048 m (–1,000 ft to 10,000 ft) |
| Nonoperating | –304.8 m to 12,192 m (–1,000 ft to 40,000 ft) |

2.10.5 Shock

All shock specifications assume that the drive is mounted securely with the input shock applied at the drive mounting screws. Shock may be applied in the X, Y or Z axis.

2.10.5.1 Operating shock

These drives comply with the performance levels specified in this document when subjected to a maximum operating shock of 350 Gs based on half-sine shock pulses of 2 msec. Shocks should not be repeated more than two times per second.

2.10.5.2 Nonoperating shock

The nonoperating shock level that the drive can experience without incurring physical damage or degradation in performance when subsequently put into operation is 800 Gs based on a nonrepetitive half-sine shock pulse of 2 msec duration.

The nonoperating shock level that the drive can experience without incurring physical damage or degradation in performance when subsequently put into operation is 900 Gs based on a nonrepetitive half-sine shock pulse of 1 msec duration.

The nonoperating shock level that the drive can experience without incurring physical damage or degradation in performance when subsequently put into operation is 400 Gs based on a nonrepetitive half-sine shock pulse of 0.5 msec duration.

2.10.6 Vibration

All vibration specifications assume that the drive is mounted securely with the input vibration applied at the drive mounting screws. Vibration may be applied in the X, Y or Z axis.

2.10.6.1 Operating vibration

The following table lists the maximum vibration levels that the drive may experience while meeting the performance standards specified in this document.

| | |
|----------|---|
| 5–500 Hz | 1.0 Gs (0 to peak). Max displacement may apply below 10 Hz. |
|----------|---|

2.10.6.2 Nonoperating vibration

The following table lists the maximum nonoperating vibration that the drive may experience without incurring physical damage or degradation in performance when subsequently put into operation.

| | |
|----------|---|
| 5–500 Hz | 5.0 Gs (0 to peak). Max displacement may apply below 22 Hz. |
|----------|---|

2.11 Acoustics

Drive acoustics are measured as overall A-weighted acoustic sound power levels (no pure tones). All measurements are consistent with ISO document 7779. Sound power measurements are taken under essentially free-field conditions over a reflecting plane. For all tests, the drive is oriented with the cover facing upward.

Note. For seek mode tests, the drive is placed in seek mode only. The number of seeks per second is defined by the following equation:

$$(\text{Number of seeks per second} = 0.4 / (\text{average latency} + \text{average access time}))$$

Table 4: Drive level acoustics

| Models | | Idle* | Normal Seek | Performance Seek |
|---------|--|----------------------------------|-------------|----------------------------------|
| 2 Discs | ST9160821A ST9120822A ST9100828A | 2.4 bels (typ) 2.6 bels (max) | 2.6 2.8 | 3.0 bels (typ) 3.2 bels (max) |
| 1 Disc | ST980815A ST960815A ST940815A | 2.2 bels (typ) 2.4 bels (max) | 2.5 2.7 | 2.9 bels (typ) 3.1 bels (max) |

*During periods of drive idle, some offline activity may occur according to the S.M.A.R.T. specification, which may increase acoustic and power to operational levels.

2.12 Electromagnetic immunity

When properly installed in a representative host system, the drive operates without errors or degradation in performance when subjected to the radio frequency (RF) environments defined in the following table:

Table 5: Electromagnetic immunity

| Test | Description | Performance level | Reference standard |
|----------------------------------|---|-------------------|-----------------------------------|
| Electrostatic discharge | Contact, HCP, VCP: ± 4 kV; Air: ± 8 kV | B | EN 61000-4-2: 95 |
| Radiated RF immunity | 80 to 2,000 MHz, 10 V/m, 80% AM with 1 kHz sine 900 MHz, 3 V/m, 50% pulse modulation @ 200 Hz | A | EN 61000-4-3: 96 ENV 50204: 95 |
| Electrical fast transient | ± 1 kV on AC mains, ± 0.5 kV on external I/O | B | EN 61000-4-4: 95 |
| Surge immunity | ± 1 kV differential, ± 2 kV common, AC mains | B | EN 61000-4-5: 95 |
| Conducted RF immunity | 150 kHz to 80 MHz, 3 Vrms, 80% AM with 1 kHz sine | A | EN 61000-4-6: 97 |
| Power Frequency H-field immunity | 1 A/m, 50Hz/60Hz, 3 axes | A | EN 61000-4-8: 97 |
| Voltage dips, interrupts | 30% Reduction for 25 cycles >95% Reduction for 250 cycles >95%, 0.5 cycles | C C B | EN 61000-4-11: 94 |

A - 1) No upset or degradation in performance beyond manufacturer's specified limits.

2) No data loss.

B - 1) Unit self recovers without user intervention.

2) No data loss.

C - 1) Upset OK provided that unit will function after user intervention.

2.13 Reliability

| Measurement type | Specification |
|---|--|
| Nonrecoverable read errors | 1 per 10 ¹⁴ bits read, max. |
| Annualized Failure Rate (AFR) | <0.60% |
| Load/Unload (U/UL) 25°C, 50% relative humidity 32°C, 80% relative humidity 5°C, 80% relative humidity 5°C, 10% relative humidity 55°C, 16% relative humidity | 600,000 software-controlled power on/off cycles 20,000 hard power on/off cycles 600,000 software-controlled power on/off cycles 20,000 hard power on/off cycles |
| Warranty | 5 years on distribution units. To determine the warranty for a specific drive, use a web browser to access the following web page: www.seagate.com/support/service/ From this page, click on the “Verify Your Warranty” link. You will be asked to provide the drive serial number, model number (or part number) and country of purchase. The system will display the warranty information for your drive. |

2.14 Agency certification

2.14.1 Safety certification

The drives are recognized in accordance with UL 1950 and CSA C22.2 (950) and meet all applicable sections of IEC950 and EN 60950 as tested by TUV North America.

2.14.2 Electromagnetic compatibility

Hard drives that display the CE mark comply with the European Union (EU) requirements specified in the Electromagnetic Compatibility Directive (89/336/EEC). Testing is performed to the levels specified by the product standards for Information Technology Equipment (ITE). Emission levels are defined by EN 55022, Class B and the immunity levels are defined by EN 55024.

Seagate uses an independent laboratory to confirm compliance with the EC directives specified in the previous paragraph. Drives are tested in representative end-user systems. Although CE-marked Seagate drives comply with the directives when used in the test systems, we cannot guarantee that all systems will comply with the directives. The drive is designed for operation inside a properly designed enclosure, with properly shielded I/O cable (if necessary) and terminators on all unused I/O ports. Computer manufacturers and system integrators should confirm EMC compliance and provide CE marking for their products.

Korean RRL

If these drives have the Korea Ministry of Information and Communication (MIC) logo, they comply with paragraph 1 of Article 11 of the Electromagnetic Compatibility control Regulation and meet the Electromagnetic Compatibility (EMC) Framework requirements of the Radio Research Laboratory (RRL) Ministry of Information and Communication Republic of Korea.

These drives have been tested and comply with the Electromagnetic Interference/Electromagnetic Susceptibility (EMI/EMS) for Class B products. Drives are tested in a representative, end-user system by a Korean-recognized lab.

EUT name (model numbers): ST9120822A, ST980815A, ST960815A, ST980815A, ST960815A, and ST940815A.

- Certificate numbers:

| | |
|------------|--------------|
| ST9160821A | STX-L253 (B) |
| ST9120822A | STX-L253 (B) |
| ST9100828A | STX-L253 (B) |
| ST980815A | STX-L253 (B) |
| ST960815A | STX-L253 (B) |
| ST940815A | STX-L253 (B) |
- Trade name or applicant: Seagate Technology International
- Manufacturing date: January 2006
- Manufacturer/nationality: Seagate Technology International

Australian C-Tick (N176)

If these models have the C-Tick marking, they comply with the Australia/New Zealand Standard AS/NZS3548 1995 and meet the Electromagnetic Compatibility (EMC) Framework requirements of the Australian Communication Authority (ACA).

2.14.3 FCC verification

These drives are intended to be contained solely within a personal computer or similar enclosure (not attached as an external device). As such, each drive is considered to be a subassembly even when it is individually marketed to the customer. As a subassembly, no Federal Communications Commission verification or certification of the device is required.

Seagate Technology LLC has tested this device in enclosures as described above to ensure that the total assembly (enclosure, disc drive, motherboard, power supply, etc.) does comply with the limits for a Class B computing device, pursuant to Subpart J, Part 15 of the FCC rules. Operation with noncertified assemblies is likely to result in interference to radio and television reception.

Radio and television interference. This equipment generates and uses radio frequency energy and if not installed and used in strict accordance with the manufacturer's instructions, may cause interference to radio and television reception.

This equipment is designed to provide reasonable protection against such interference in a residential installation. However, there is no guarantee that interference will not occur in a particular installation. If this equipment does cause interference to radio or television, which can be determined by turning the equipment on and off, you are encouraged to try one or more of the following corrective measures:

- Reorient the receiving antenna.
- Move the device to one side or the other of the radio or TV.
- Move the device farther away from the radio or TV.
- Plug the computer into a different outlet so that the receiver and computer are on different branch outlets.

If necessary, you should consult your dealer or an experienced radio/television technician for additional suggestions. You may find helpful the following booklet prepared by the Federal Communications Commission: *How to Identify and Resolve Radio-Television Interference Problems*. This booklet is available from the Superintendent of Documents, U.S. Government Printing Office, Washington, DC 20402. Refer to publication number 004-000-00345-4.

2.15 Environmental protection

Seagate designs its products to meet environmental protection requirements worldwide, including regulations restricting certain chemical substances.

2.15.1 European Union Restriction of Hazardous Substances (RoHS)

The European Union Restriction of Hazardous Substances (RoHS) Directive restricts the presence of chemical substances, including Lead (Pb), in electronic products effective July 2006.

A number of parts and materials in Seagate products are procured from external suppliers. We rely on the representations of our suppliers regarding the presence of RoHS substances in these parts and materials. Our supplier contracts require compliance with our chemical substance restrictions, and our suppliers document their compliance with our requirements by providing material content declarations for all parts and materials for the disc drives documented in this publication. Current supplier declarations include disclosure of the inclusion of any RoHS-regulated substance in such parts or materials.

Seagate also has internal systems in place to ensure ongoing compliance with the RoHS Directive and all laws and regulations which restrict chemical content in electronic products. These systems include standard operating procedures that ensure that restricted substances are not utilized in our manufacturing operations, laboratory analytical validation testing, and an internal auditing process to ensure that all standard operating procedures are complied with.

2.16 Corrosive environment

Seagate electronic drive components pass accelerated corrosion testing equivalent to 10 years exposure to light industrial environments containing sulfurous gases, chlorine and nitric oxide, classes G and H per ASTM B845. However, this accelerated testing cannot duplicate every potential application environment. Users should use caution exposing any electronic components to uncontrolled chemical pollutants and corrosive chemicals as electronic drive component reliability can be affected by the installation environment. The silver, copper, nickel and gold films used in Seagate products are especially sensitive to the presence of sulfide, chloride, and nitrate contaminants. Sulfur is found to be the most damaging. In addition, electronic components should never be exposed to condensing water on the surface of the printed circuit board assembly (PCBA) or exposed to an ambient relative humidity greater than 95%. Materials used in cabinet fabrication, such as vulcanized rubber, that can outgas corrosive compounds should be minimized or eliminated. The useful life of any electronic equipment may be extended by replacing materials near circuitry with sulfide-free alternatives.

3.0 Configuring and mounting the drive

This section contains the specifications and instructions for configuring and mounting the drive.

3.1 Handling and static discharge precautions

After unpacking, and before installation, the drive may be exposed to potential handling and electrostatic discharge (ESD) hazards. Observe the following standard handling and static-discharge precautions:

Caution:

- Keep the drive in the electrostatic discharge (ESD) bag until you are ready for installation to limit the drive's exposure to ESD.
- Before handling the drive, put on a grounded wrist strap, or ground yourself frequently by touching the metal chassis of a computer that is plugged into a grounded outlet. Wear a grounded wrist strap throughout the entire installation procedure.
- Handle the drive only by its edges or frame.
- The drive is fragile—handle it with care. Do not press down on the drive top cover.
- Always rest the drive on a padded, antistatic surface until you mount it in the computer.
- Do not touch the connector pins or the printed circuit board.
- Do not remove the factory-installed labels from the drive or cover them with additional labels. Removal voids the warranty. Some factory-installed labels contain information needed to service the drive. Other labels are used to seal out dirt and contamination.

3.2 Jumper settings

3.2.1 Master/slave configuration

Use the options jumper block shown in Figure 5 to configure the drive for operation. This jumper block is the 4-pin header adjacent to pins 1 and 2 of the I/O signal pins. For additional information about using the Cable select option, see Section 3.2.2.

The “Master or single drive” option is the factory default setting.

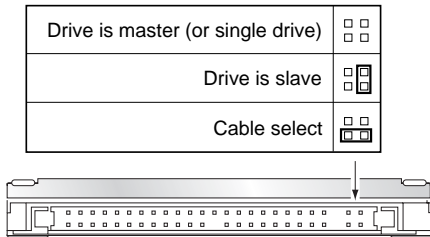


Figure 5. Jumper settings

3.2.2 Cable-select option

Computers that use cable select determine the master and slave drives by selecting or deselecting pin 28, CSEL, on the interface bus. Master and slave drives are determined by their physical position on the cable. To enable cable select, set a jumper as shown in Figure 5. Refer to your computer manual to determine whether your computer supports this option.

3.3 Drive mounting

You can mount the drive using four screws in the side-mounting holes or four screws in the bottom-mounting holes. See Figure 6 for drive mounting dimensions (dimensions in inches with mm in parentheses). Follow these important mounting precautions when mounting the drive:

- Allow a minimum clearance of 0.030 inches (0.76 mm) around the entire perimeter of the drive for cooling.
- Use only M3 x 0.5 mounting screws.
- Do not overtighten the mounting screws (maximum torque: 4.0 inch-lb).
- Four (4) threads (0.080 inches) minimum screw engagement recommended.

Measurements shown in Figure 6 are in inches.

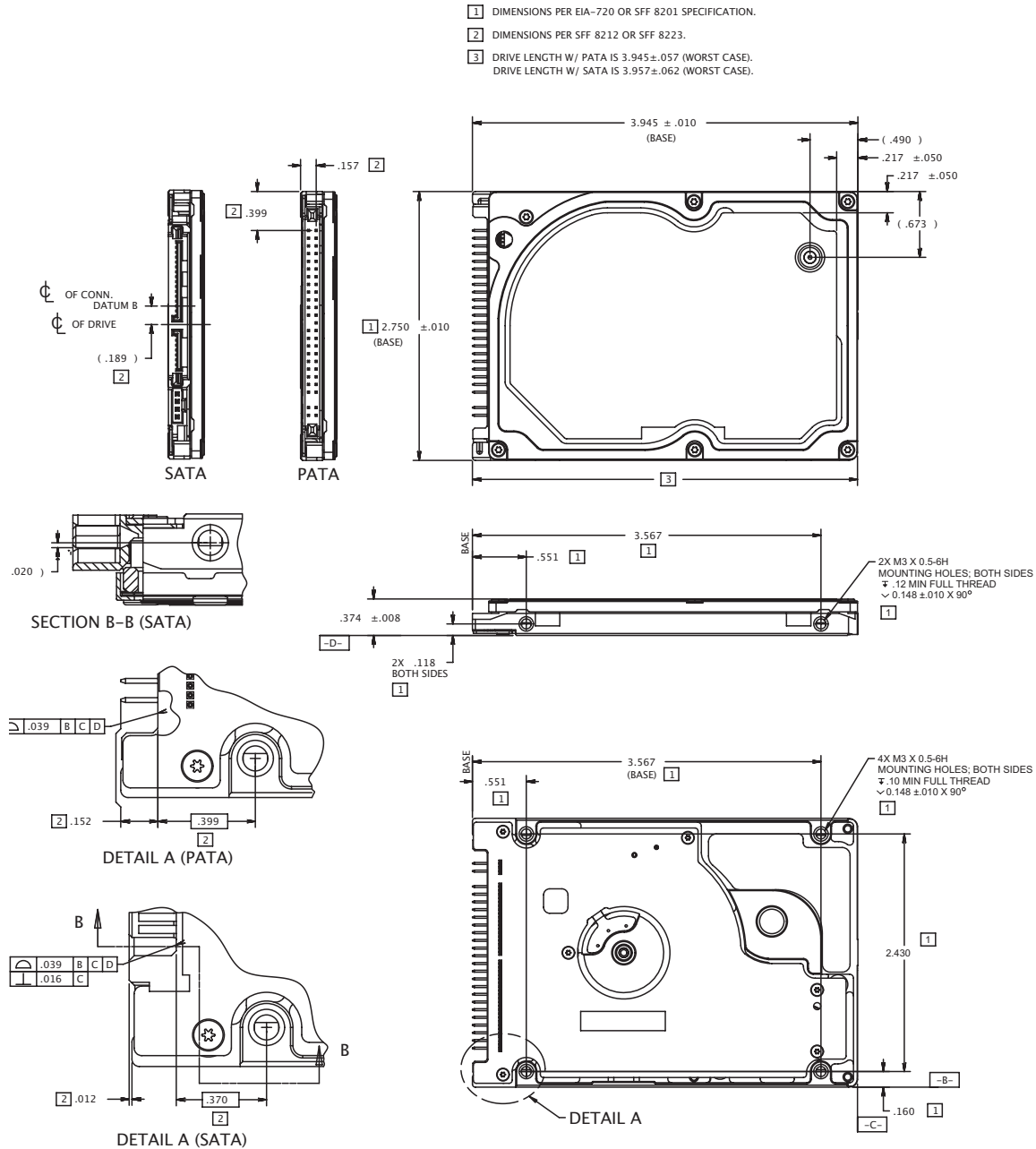


Figure 6. Mounting dimensions—top, side and end view

4.0 ATA interface

These drives use the industry-standard ATA task file interface that supports 16-bit data transfers. It supports ATA programmed input/output (PIO) modes 0–4; multiword DMA modes 0–2, and Ultra DMA modes 0–5. The drive also supports the use of the IORDY signal to provide reliable high-speed data transfers.

For detailed information about the ATA interface, refer to the draft of *AT Attachment with Packet Interface Extension (ATA/ATAPI-6)*, *NCITS T13 1410D*, subsequently referred to as the *Draft ATA-6 Standard*.

4.1 ATA interface signals and connector pins

The following table summarizes the signals on the 44-pin ATA interface connector. For a detailed description of these signals, refer to the *Draft ATA-6 Standard*.

Table 6: Connector signals

| Signal Name | Connector Contact | Cable Conductor |
|-----------------|-------------------|-----------------|
| RESET- | 1 | 1 |
| DD7 | 3 | 3 |
| DD6 | 5 | 5 |
| DD5 | 7 | 7 |
| DD4 | 9 | 9 |
| DD3 | 11 | 11 |
| DD2 | 13 | 13 |
| DD1 | 15 | 15 |
| DD0 | 17 | 17 |
| Ground | 19 | 19 |
| DMARQ | 21 | 21 |
| DIOW- | 23 | 23 |
| DIOR- | 25 | 25 |
| IORDY | 27 | 27 |
| DMACK- | 29 | 29 |
| INTRQ | 31 | 31 |
| DA1 | 33 | 33 |
| DA0 | 35 | 35 |
| CS1FX- | 37 | 37 |
| DASP- | 39 | 39 |
| +5 V (Logic) | 41 | 41 |
| Ground (Return) | 43 | 43 |

| Cable Conductor | Connector Contact | Signal Name |
|-----------------|-------------------|---------------|
| 2 | 2 | Ground |
| 4 | 4 | DD8 |
| 6 | 6 | DD9 |
| 8 | 8 | DD10 |
| 10 | 10 | DD11 |
| 12 | 12 | DD12 |
| 14 | 14 | DD13 |
| 16 | 16 | DD14 |
| 18 | 18 | DD15 |
| 20 | 20 | (keypin) |
| 22 | 22 | Ground |
| 24 | 24 | Ground |
| 26 | 26 | Ground |
| 28 | 28 | PSYNC:CSEL |
| 30 | 30 | Ground |
| 32 | 32 | IOCS16- |
| 34 | 34 | PDIAG- |
| 36 | 36 | DA2 |
| 38 | 38 | CS3FX- |
| 40 | 40 | Ground |
| 42 | 42 | +5V (Motor) |
| 44 | 44 | No connection |

4.1.1 Supported ATA commands

The following table lists ATA-standard commands that the drive supports. For a detailed description of the ATA commands, refer to the *Draft ATA-6 Standard...*

Table 7: Supported commands

| Command name | Command code (in hex) |
|----------------------------------|-----------------------------------|
| ATA-standard commands | |
| ATA Device Configuration Overlay | B1 _H |
| ATA Service | A2 _H |
| Check Power Mode | 98 _H , E5 _H |
| Download Microcode | 92 _H |
| Execute Device Diagnostics | 90 _H |
| Flush Cache | E7 _H |
| Flush Cache Extended | EA _H |
| Format Track (Legacy) | 50 _H |
| Identify Device | EC _H |
| Idle | 97 _H , E3 _H |
| Idle Immediate | 95 _H , E1 _H |
| Initialize Device Parameters | 91 _H |
| Read Buffer | E4 _H |
| Read DMA | C8 _H , C9 _H |
| Read DMA Extended | 25 _H |
| Read Log Extended | 22 _H |
| Read Multiple | C4 _H |
| Read Multiple Extended | 29 _H |
| Read Native Max Address | F8 _H |
| Read Native Max Address Extended | 27 _H |
| Read Sectors | 20 _H , 21 _H |
| Read Sectors Extended | 24 _H |
| Read Verify Sectors | 40 _H , 41 _H |
| Read Verify Sectors Extended | 42 _H |
| Recalibrate | 10 _H |
| Security Disable Password | F6 _H |
| Security Erase Prepare | F3 _H |
| Security Erase Unit | F4 _H |
| Security Freeze Lock | F5 _H |
| Security Set Password | F1 _H |
| Security Unlock | F2 _H |

Table 7: Supported commands

| Command name | Command code (in hex) |
|--|--|
| Seek | 70 _H |
| Set Drive Parameters | 91 _H |
| Set Features | EF _H |
| Set Max Address | F9 _H |
| Note: Individual Set Max commands are identified by the value placed in the Set Max Features register as defined to the right. | Address 00 _H Password 01 _H Lock 02 _H Unlock 03 _H Freeze Lock 04 _H |
| Set Multiple Mode | C6 _H |
| Sleep | 99 _H , E6 _H |
| S.M.A.R.T. | B0 _H |
| Standby | 96 _H , E2 _H |
| Standby Immediate | 94 _H , E0 _H |
| Vendor Unique | 9A _H , FA _H , FB _H |
| Write Buffer | E8 _H |
| Write DMA | CA _H , CB _H |
| Write DMA Extended | 35 _H |
| Write Log Extended | 32 _H |
| Write Multiple | C5 _H |
| Write Multiple Extended | 39 _H |
| Write Sectors | 30 _H , 31 _H |
| Write Sectors Extended | 34 _H |
| ATA-standard power-management commands | |
| Check Power Mode | 98 _H or E5 _H |
| Idle | 97 _H or E3 _H |
| Idle Immediate | 95 _H or E1 _H |
| Sleep | 99 _H or E6 _H |
| Standby | 96 _H or E2 _H |
| Standby Immediate | 94 _H or E0 _H |
| ATA-standard security commands | |
| Security Set Password | F1 _H |
| Security Unlock | F2 _H |
| Security Erase Prepare | F3 _H |
| Security Erase Unit | F4 _H |
| Security Freeze Lock | F5 _H |

Table 7: Supported commands

| Command name | Command code (in hex) |
|---------------------------|-----------------------|
| Security Disable Password | F6 _H |

4.1.2 Identify Device command

The Identify Device command (command code EC_H) transfers information about the drive to the host following power up. The data is organized as a single 512-byte block of data, whose contents are shown in Table 7 on page 26. All reserved bits or words should be set to zero. Parameters listed with an “x” are drive-specific or vary with the state of the drive. See Section 2.0 on page 3 for default parameter settings.

The following commands contain drive-specific features that may not be included in the *Draft ATA-6 Standard*.

| Word | Description | Value |
|-------|--|---|
| 0 | Configuration information: • Bit 15: 0 = ATA; 1 = ATAPI • Bit 7: removable media • Bit 6: removable controller • Bit 0: reserved | 0C5A _H |
| 1 | Number of logical cylinders | 16,383 |
| 2 | ATA-reserved | 0000 _H |
| 3 | Number of logical heads | 16 |
| 4 | Retired | 0000 _H |
| 5 | Retired | 0000 _H |
| 6 | Number of logical sectors per logical track: 63 | 003F _H |
| 7–9 | Retired | 0000 _H |
| 10–19 | Serial number: (20 ASCII characters, 0000 _H = none) | ASCII |
| 20 | Retired | 0000 _H |
| 21 | Retired | 0400 _H |
| 22 | Obsolete | 0000 _H |
| 23–26 | Firmware revision (8 ASCII character string, padded with blanks to end of string) | x.xx |
| 27–46 | Drive model number (40 ASCII characters, padded with blanks to end of string) | ST9160821A ST9120822A ST9100828A ST980815A ST960815A ST940815A |
| 47 | (Bits 7–0) Maximum sectors per interrupt on Read multiple and Write multiple (16) | 8010 _H |
| 48 | Reserved | 0000 _H |
| 49 | Standard Standby timer, IORDY supported and may be disabled | 2F00 _H |
| 50 | ATA-reserved | 0000 _H |
| 51 | PIO data-transfer cycle timing mode | 0200 _H |
| 52 | Retired | 0200 _H |
| 53 | Words 54–58, 64–70 and 88 are valid | 0007 _H |
| 54 | Number of current logical cylinders | xxxx _H |
| 55 | Number of current logical heads | xxxx _H |
| 56 | Number of current logical sectors per logical track | xxxx _H |

| Word | Description | Value |
|--------|--|--|
| 57–58 | Current capacity in sectors | xxxx _H |
| 59 | Number of sectors transferred during a Read Multiple or Write Multiple command | xxxx _H |
| 60–61 | Total number of user-addressable LBA sectors available (see Section 2.2 for related information) | ST9160821A = 312,581,808 ST9120822A = 234,441,648 ST9100828A = 195,371,568 ST980815A = 156,301,488 ST960815A = 117,410,240 ST940815A = 78,140,160 |
| 62 | Retired | 0000 _H |
| 63 | Multiword DMA active and modes supported (see note following this table) | xx07 _H |
| 64 | Advanced PIO modes supported (modes 3 and 4 supported) | 0003 _H |
| 65 | Minimum multiword DMA transfer cycle time per word (120 nsec) | 0078 _H |
| 66 | Recommended multiword DMA transfer cycle time per word (120 nsec) | 0078 _H |
| 67 | Minimum PIO cycle time without IORDY flow control (240 nsec) | 00F0 _H |
| 68 | Minimum PIO cycle time with IORDY flow control (120 nsec) | 0078 _H |
| 69–74 | ATA-reserved | 0000 _H |
| 75 | Queue depth | 0000 _H |
| 76–79 | ATA-reserved | 0000 _H |
| 80 | Major version number | 007E _H |
| 81 | Minor version number | 0000 _H |
| 82 | Command sets supported | 346B _H |
| 83 | Command sets supported | 7D01 _H |
| 84 | Command sets support extension | 4003 _H |
| 85 | Command sets enabled | 34xx _H |
| 86 | Command sets enabled | 3xxx _H |
| 87 | Command sets enable extension | 4003 _H |
| 88 | Ultra DMA support and current mode (see note following this table) | xx3F _H |
| 89 | Security erase time | 0000 _H |
| 90 | Enhanced security erase time | 0000 _H |
| 91 | Advanced power management value | 0040 _H |
| 92 | Master password revision code | FFFE _H |
| 93 | Hardware reset value (see description following this table) | xxxx _H |
| 94 | Auto acoustic management setting | xxxx _H |
| 95–127 | ATA-reserved | 0000 _H |
| 128 | Security status | 0001 _H |

| Word | Description | Value |
|---------|------------------|-------------------|
| 129–159 | Seagate-reserved | xxxx _H |
| 160–254 | ATA-reserved | 0000 _H |
| 255 | Integrity word | xxA5 _H |

Note. See the bit descriptions below for words 63, 88, 93 and 94 of the Identify Drive data.

Description (if bit is set to 1)

| Bit | Word 63 |
|-----|--|
| 0 | Multiword DMA mode 0 is supported. |
| 1 | Multiword DMA mode 1 is supported. |
| 2 | Multiword DMA mode 2 is supported. |
| 8 | Multiword DMA mode 0 is currently active. |
| 9 | Multiword DMA mode 1 is currently active. |
| 10 | Multiword DMA mode 2 is currently active. |
| | |
| Bit | Word 88 |
| 0 | Ultra DMA mode 0 is supported. |
| 1 | Ultra DMA mode 1 is supported. |
| 2 | Ultra DMA mode 2 is supported. |
| 3 | Ultra DMA mode 3 is supported. |
| 4 | Ultra DMA mode 4 is supported. |
| 8 | Ultra DMA mode 0 is currently active. |
| 9 | Ultra DMA mode 1 is currently active. |
| 10 | Ultra DMA mode 2 is currently active. |
| 11 | Ultra DMA mode 3 is currently active. |
| 12 | Ultra DMA mode 4 is currently active. |
| 13 | Ultra DMA mode 5 is currently active. |
| | |
| Bit | Word 93 |
| 13 | 1 = 80-conductor cable detected, CBLID above V _{IH} 0 = 40-conductor cable detected, CBLID below V _{IL} |

4.1.3 Set Features command

This command controls the implementation of various features that the drive supports. When the drive receives this command, it sets BSY, checks the contents of the Features register, clears BSY and generates an interrupt. If the value in the register does not represent a feature that the drive supports, the command is aborted. Power-on default has the read look-ahead and write caching features enabled. The acceptable values for the Features register are defined as follows:

Table 8: Features register values

| | |
|-----------------|---|
| 02 _H | Enable write cache (<i>default</i>). |
| 03 _H | Set transfer mode (based on value in Sector Count register). Sector Count register values: |
| 00 _H | Set PIO mode to default (PIO mode 2). |
| 01 _H | Set PIO mode to default and disable IORDY (PIO mode 2). |
| 08 _H | PIO mode 0 |
| 09 _H | PIO mode 1 |
| 0A _H | PIO mode 2 |
| 0B _H | PIO mode 3 |
| 0C _H | PIO mode 4 (<i>default</i>) |
| 20 _H | Multiword DMA mode 0 |
| 21 _H | Multiword DMA mode 1 |
| 22 _H | Multiword DMA mode 2 |
| 40 _H | Ultra DMA mode 0 |
| 41 _H | Ultra DMA mode 1 |
| 42 _H | Ultra DMA mode 2 |
| 43 _H | Ultra DMA mode 3 |
| 44 _H | Ultra DMA mode 4 |
| 45 _H | Ultra DMA mode 5 |
| 05 _H | Enable advanced power management |
| 55 _H | Disable read look-ahead (read cache) feature. |
| 82 _H | Disable write cache. |
| AA _H | Enable read look-ahead (read cache) feature (<i>default</i>). |
| F1 _H | Report full capacity available |

Note. At power-on or after a hardware or software reset the default values of the features are as indicated above.

5.0 Compatibility summary

5.1 Installation considerations

Many of today's mobile computers have been designed to make it possible for the end user to replace the hard drive. Refer to your system's user manual for the location of the hard drive compartment and the specific instructions regarding replacement. Refer to your system manufacturer's support website for the most up-to-date information. Read and follow all instructions regarding the proper steps to be taken when replacing the system hard drive. Some mobile systems are sealed and require specialized tools to gain access to the hard drive. Special training or tools may be needed to service some mobile computers. In some cases, opening the case may void your warranty. Consult your system documentation. Seagate recommends taking your system to an authorized service technician to replace your hard drive.

System Compatibility

Seagate Product Assurance has tested Momentus drives in the systems listed in Table 9. Testing included multiple BIOS versions and operating systems. This testing was done to demonstrate compatibility with various hardware and software configurations. Hardware and software combinations, other than those tested, may also be compatible with this drive.

Table 9: Tested systems

| | | | |
|----------------------|------------------------|---------------------|---------------------|
| Gateway 300SE | EVO D300 | Lavie LJ700/7E | Micron T2000 |
| Gateway 450RGH | EVO D300V | Lavie LL750/8 | Micron T2100 |
| Gateway 500XL | EVO D310 | Lavie LL970/9D | Micron T2200 |
| Gateway 700S | EVO D310M | Lavie LR700/9E | Thinkpad |
| Gateway 700X | EVO D310V | Lavie LS830/9D | Thinkpad A22E |
| ABIT BL7 | EVO D500 | Microstar MSI-6561 | ThinkpadG40 |
| Acer Aspire 2000 | EVO D500M | Microstar MSI-6566E | Thinkpad T30 |
| Amilio | EVO D500S | Millennia 920I PRO | Thinkpad T40 |
| ASUS P4SGL-VM | EVO D510 | MIM 2020 | Tian YI S180 |
| AZZA P4X2-AV | EVO D510 SFF | MIT-RHE-BT | Transport GX3 |
| Bonatti | EVO D510C | Netvista | Transport T1000 |
| Brasilia | EVO E-6000 | Optiplex GX150 | Transport V1000 |
| Client Pro 345 | EVO N620C | Optiplex GX260 | Travel Mate 660 |
| Client Pro 345E | EVO W-4000 | Optiplex GX400 | Travel Mate 800LCI |
| Compaq NX9500 | FID 2040 | Pavillion 774Y | Travel Mate 800LCI |
| Compaq D315 | FID 2100 | Pavillion ZD7000 | Travel Mate 2500 |
| HP D330 | FMV 16C/V | Pavillion ZT3000 | Travel Mate 290VCI |
| HP D330 MT | FMV Biblo MG 75HT/ST | Pavillion ZV5000 | Travel Mate 650 |
| HP D330 UT | FMV Biblo NB75H/T | Pavillion ZX5000 | Travel Mate 660 |
| HP D530 | FMV Biblo NH90H/T | Sony PCV-RZ60 | Travel Mate 800 |
| HP D530 CMT | FMV CE50G7 (IVY6) | Performance | Travel Mate 8000 |
| HP D530 SFF | FMV NB18C | Performance 1400 | Trigem S7 7570 |
| HP D530 USDT | Gigabyte GA-7DXR+ | Performance 1500 | Trigem V7 7600 |
| Dimensio GX400 | Gigabyte GA-8IDX | Powerbook 5 | NECUNI-TRI-NT |
| Dimension 4100 | Gigabyte GA-8SIML | Powerbook 5,2 | Micron V2000 |
| Dimension 4100 XPSZ | Gigabyte GA-8SR533 | Powerbook 5,2 | Vaio PCG-V505/B |
| Dimension 4400 | HP/Compaq NX7000 | Powerbook G4 | Vaio PCG-ZIR/P |
| Dimension 4500S | IBM XNote | Precision 330 | Vaio PCV RX770 |
| Dimension 4600 | Imedia 7150(Discovery) | Precision 340 | Vaio PCV7753 |
| Dimension 8100 | Inspirion 8100 | Precision 350 | Vaio PCV-7753 |
| Dimension 8200 | Inspirion 1150 | Precision 360 | Valuestar VC300/4D |
| Dimension 8250 | Inspirion 2650 | Precision 530 | Valuestar VF500/8D |
| Dimension 8300 | Inspirion 300M | Precision M60 | Valuestar VF500/D |
| Dimension XPS | Inspirion 5100 | Presario 2100 | Valuestar VG17H/8 |
| Dynabook TX/2513CMCW | Inspirion 5150 | Presario 2500 | Valuestar VG17H2Z38 |
| Compaq E -6000 | Inspirion 600M | Presario 6000 | Valuestar VT500/4D |
| Gateway E Series | Inspirion 8600 | Presario 8000 | Veriton 7200D |
| Gateway E-2000 | Inspirion 9100 | Presario 8000Z | Veriton 7500 |
| Gateway E-4000 | Inspirion XPS | Presario R3000 | VGN-A70P |
| Gateway E-4100 | Intel 845GBV | Presario X1000 | W 6000 |
| Gateway E4600 | Intel SPRINGDALE-G | Pro S P4-1300SE | Workstation XW5000 |
| Gateway E6000 | Intellistation EPVO | Pro S P4-1400 | Workstation XW8000 |
| Gateway E-6100 | Intellistation M PRO | Qosmio E10/1JCDT | Presario X1000 |
| Elite ECS-K7S6A | JIA HE H150 | IBM R50 | MPC X3000 |
| Elite ECS-L4S5MG | Latitude 100L | IBM R50P | Yi He A760D |
| Elite K7S5A | Latitude 8600 | SB-4100A | Zhao Yang E260 |
| Equium 3140CS | Latitude D400 | SB-4100-C | Zhao Yang E600A |
| Equium 3150 | Latitude D505 | SB-4100-E | Zhao Yang S620 |
| Equium 5070CS | Latitude D600 | SB-4100-B | |
| ES2 300X | Latitude D800 | Shuttle AV40 | |
| ES2 500S | Latitude X300 | Slotek SL-85SD | |
| ESX- SB-400 E PC | | Scnic | |
| ESX500S | | | |

5.2 BIOS versions tested

The following list indicates the types of BIOS Seagate tested during the compatibility testing process. The list highlights the major BIOS manufacturers. Individual systems contain variations of these BIOS versions and were tested with regard to their implementation in the individual systems.

Table 10: Tested BIOS versions

| Vendor | Release | Revision |
|------------|----------------|---------------|
| ACER | | 1.01 |
| ACPI | | Ver. 1.20 |
| AMI | Various | Various |
| Apple | 4.71F1 | |
| Apple | 4.8.4F1 | |
| Award | Various | Various |
| Compal | 38118 | v2.00 |
| Compaq | 68xxx | Various |
| Compaq | 78xxx | Various |
| Compaq | 8602 | v1.08 |
| Compaq | F.07 | |
| Dell | Various | A03 |
| Gateway | Various | |
| HP | Various | Various |
| IBM | Various | Various |
| Insyde SCU | | 1.1 |
| Insyde | Various | Various |
| Insyde | Mobilepro | Various |
| Intel | 786B2 | v1.11 |
| M1300 | A02 | 37763 |
| Medion | 1.0D-1373-0812 | |
| Micron | Various | |
| Mobile Pro | 4.00.01 | V1.04 EC1.01M |
| NEC | Various | Various |
| Phoenix | Various | Various |
| Toshiba | Various | Various |

5.3 Operating system versions tested

This list indicates the types of Operating Systems Seagate tested during the compatibility testing process and highlights the major OS manufacturers. Several variations of the major operating systems have been tested.

Table 11: Operating systems tested

| Manufacturer | Version/Release |
|--------------|--|
| Apple | MacOS 9.22 |
| Apple | MacOS X 10.2.3 |
| Microsoft | MSDOS 6.22 |
| Microsoft | Windows 98, 98SE, ME (multiple languages) |
| Microsoft | Windows 2000, 2000-Pro (+SP 1 thru 4) (multiple languages) |
| Microsoft | Windows NT 4.0 (+SP 6 and 6a) (+Japanese) |
| Microsoft | Windows XP, XP Pro, XP Home (+SP1) (multiple languages) |

5.4 Compatibility test configurations

The Momentus drives have been tested to demonstrate compliance with ATA/ATAPI-6 in both the master drive and slave drive positions. These tests were performed to ensure the functionality to ATA/ATAPI-6 specifications and the compatibility of Seagate Momentus drives with other ATA/ATAPI-6 compliant peripherals.

5.5 Software utilities

The following is a brief overview of a some of the Seagate utilities used during the Seagate competitive analysis process.

The Seagate SeaTools application is an exclusive disc drive diagnostic software designed to troubleshoot most hard drive issues. Desktop edition works with most ATA, SATA, or SCSI drives in desktop systems and has a 98 percent accuracy rate.

The Seagate DiscWizard™ application simplifies the installation of disc drives. This software also overcomes many system BIOS and operating system limitations that can complicate the installation of higher-capacity ATA (IDE) interface drives.

This is a list of some of the third party utilities used in the testing process.

| Vendor | Application |
|-----------|------------------|
| AMI | Diagnostic |
| Apple | Macbench |
| Intel | PCI-EXE |
| Microsoft | Winbench99 |
| Symantec | Norton Utilities |

5.6 Other certification

Microsoft software compatibility.

6.0 Seagate Technology support services

Internet

For information regarding Seagate products and services, visit www.seagate.com. Worldwide support is available 24 hours daily by email for your questions.

Presales Support:

Presales@Seagate.com

Technical Support:

DiscSupport@Seagate.com

Warranty Support:

<http://www.seagate.com/support/service/index.html>

mySeagate

my.seagate.com is the industry's first Web portal designed specifically for OEMs and distributors. It provides self-service access to critical applications, personalized content and the tools that allow our partners to manage their Seagate account functions. Submit pricing requests, orders and returns through a single, password-protected Web interface-anytime, anywhere in the world.

spp.seagate.com

spp.seagate.com supports Seagate resellers with product information, program benefits and sales tools. You may register for customized communications that are not available on the web. These communications contain product launch, EOL, pricing, promotions and other channel-related information. To learn more about the benefits or to register, go to spp.seagate.com, any time, from anywhere in the world.

Seagate Service Centers

Presales Support

Our Presales Support staff can help you determine which Seagate products are best suited for your specific application or computer system, as well as product availability and compatibility.

Technical Support

Seagate technical support is available to assist you online at support.seagate.com or through one of our call centers. Have your system configuration information and your "ST" model number available.

SeaTDD™ (+1-405-324-3655) is a telecommunications device for the deaf (TDD). You can send questions or comments 24 hours daily and exchange messages with a technical support specialist during normal business hours for the call center in your region.

Customer Service Operations

Warranty Service

Seagate offers worldwide customer support for Seagate products. Seagate distributors, OEMs and other direct customers should contact their Seagate Customer Service Operations (CSO) representative for warranty-related issues. Resellers or end users of drive products should contact their place of purchase or Seagate warranty service for assistance. Have your serial number and model or part number available.

Data Recovery Services

Seagate offers data recovery services for all formats and all brands of storage media. Our data recovery services labs are currently located throughout the world. . Additional information, including an online request form and data loss prevention resources, is available at <http://services.seagate.com/index.aspx>

Authorized Service Centers

Seagate Service Centers are available on a global basis for the return of defective products. Contact your customer support representative for the location nearest you.

USA/Canada/Latin America support services

For an extensive list of telephone numbers to technical support, presales and warranty service in USA/Canada/Latin America, including business hours, go to the "Contact Us" page on www.seagate.com.

Global Customer Support

Presales, Technical, and Warranty Support

| Call Center | Toll-free | Direct dial |
|-------------------------|---------------|-----------------|
| USA, Canada, and Mexico | 1-800-SEAGATE | +1-405-324-4700 |

Data Recovery Services

| Call Center | Toll-free | Direct dial | FAX |
|-------------------------|-----------------|-----------------|-----------------------------------|
| USA, Canada, and Mexico | 1-800-475-01435 | +1-905-474-2162 | 1-800-475-0158 +1-905-474-2459 |

Europe, the Middle East and Africa Support Services

For an extensive list of telephone numbers to technical support, presales and warranty service in Europe, the Middle East and Africa, go to the "Contact Us" page on www.seagate.com.

Asia/Pacific Support Services

For an extensive list of telephone numbers to technical support, presales and warranty service in Asia/Pacific, go to the "Contact Us" page on www.seagate.com.

Index

Numerics

3D Defense System 1

A

acoustics 17
Active mode 14
AFR 18
agency certification (regulatory) 18
altitude 15
ambient conditions 3
ambient temperature 11, 15
Annualized Failure Rate 18
areal density 10
ATA interface 25
ATA-standard commands 26
Australian C-Tick 19
autodetection 1
average seek time 11

B

BIOS manufacturers 35
BPI 10
buffer 1, 10
burst 1

C

cable select 1
cable-select option 22
cache 1, 10
case temperature 15
CE mark 18
certification 18
Check Power Mode 27
chemical substances 20
commands 26
compatibility 34
compatibility summary 33
compatibility test configurations 36
compliance 18
conducted noise 13
conducted RF immunity 17
configuring the drive 21
connector pins 25
Corrosive environment 20
CSA C22.2 (950) 18
CSEL 22
C-Tick 19
current profile 13
cycles 18

D

Data Defense 1
data-transfer rates 1
DC power 12
demonstrate compliance 36
density 10
Diagnostic Defense 1
diagnostic software 1
discs 9
dissipation 12
Download Microcode 26
Drive Defense 1
drive diagnostics 11
drive monitoring 1
drive self-test 1

E

electrical fast transient 17
electromagnetic compatibility 18
Electromagnetic Compatibility Directive 18
electromagnetic immunity 17
electrostatic discharge 17
EMC compliance 18
EN 60950 18
enclosures 19
Environmental protection 20
environmental specifications 15
error-correction algorithms 1
errors 18
European Union 18
Execute Device Diagnostics 26

F

FCC verification 19
Features register 32
Flush Cache 26
Flush Cache Extended 26
formatted capacity 9
frequency 17

G

guaranteed sectors 9

H

handling 21
heads 1, 9
height 10
humidity 15

I

I/O data-transfer rate 10
Identify Device 26

- Identify Device command 29
- Idle 27
- Idle and Standby timers 14
- Idle Immediate 27
- Idle mode 14
- Idle mode power 12
- IEC950 18
- Information Technology Equipment 18
- Initialize Device Parameters 26
- interface 10, 25
- interface signals 25
- interference 19
- interleave 10
- internal data-transfer rate OD 10
- ISO document 7779 17

J

- jumper settings 22

K

- Korean RRL 19

L

- LBA mode 9
- length 10
- Load/Unload 18
- logical geometry 9

M

- master/slave 1
- Master/slave configuration 22
- maximum temperature 15
- modes 25
- monitoring 1
- mounting the drive 21, 23

N

- noise 13
- nominal power 3
- nonoperating shock 16
- nonoperating vibration 16
- nonrecoverable read errors 18

O

- operating shock 16
- operating system 34
- operating vibration 16
- OS manufacturers 36
- other certification 36

P

- physical characteristics 10

- physical organization 9
- pins 25
- PIO 25
- power consumption 12
- power dissipation 12
- power frequency h-field immunity 17
- power management 14
- power on/off cycles 18
- power specifications 12
- power-management commands 27
- power-management modes 14
- Power-on to Ready 11
- precautions 23
- programmable power management 14

R

- radiated RF immunity 17
- radio and television interference 19
- radio frequency (RF) 17
- random track location 12
- Read Buffer 26
- Read DMA 26
- Read DMA Extended 26
- read errors 18
- Read Multiple 1, 26
- Read Multiple Extended 26
- Read Native Max Address 26
- Read Native Max Address Extended 26
- Read Sectors 26
- Read Sectors Extended 26
- Read Verify Sectors 26
- Read Verify Sectors Extended 26
- read/write heads 9
- read/write power and current 12
- recording and interface technology 10
- recording density 10
- recording heads 1
- recording method 10
- register 32
- relative humidity 15
- reliability 18
- resistance 13
- RF 17
- RoHS 20

S

- S.M.A.R.T. 27
- S.M.A.R.T. drive monitoring 1
- safety certification 18
- screws 23
- SeaTools 1
- sectors 9
- security commands 27
- Security Disable Password 28

- Security Erase Prepare 27
- Security Erase Unit 27
- Security Freeze Lock 27
- Security Set Password 27
- Security Unlock 27
- Seek 27
 - seek mode 12
 - seek time 11
- Seeking 12
- Self refresh, low power 14
- servo electronics 12
- Set Features 27
- Set Features command 32
- Set Max 27
- Set Multiple Mode 27
- shock 16
- signals 25
- single-track seeks 11
- Sleep 12, 27
- Sleep mode 14
- software utilities 36
- sound 17
- specifications 3
- spindle speed 10
- Spinup 12
 - spinup power 12
- Standby 12, 27
 - Standby Immediate 27
 - Standby mode 12, 14
 - Standby to Ready 11
- static-discharge precautions 21
- subassembly 19
- support services 37
- surge immunity 17

T

- technical support services 37
- temperature 15
- temperature gradient 15
- third party utilities 36
- time to ready 11
- timers 14
- TMR 1
- track density 10
- track-to-track seek time 11
- Tunneling Magnetoresistive heads 1
- TUV North America 18

U

- UL 1950 18

V

- vibration 16
- voltage 13

- voltage dips, interrupts 17
- voltage tolerance 13

W

- Warranty 18
- weight 10
- wet bulb temperature 15
- width 10
- Write Buffer 27
- Write DMA 27
- Write DMA Extended 27
- Write Multiple 1, 27
- Write Multiple Extended 27
- Write Sectors 27
- Write Sectors Extended 27



Seagate Technology LLC
920 Disc Drive, Scotts Valley, California 95066-4544, USA
Publication Number: 100398876, Rev. C, Printed in U.S.A.