

A decorative graphic on the left side of the page, featuring a large dashed circle, a solid blue circle, and several overlapping curved lines in blue and grey.

Product Manual

Constellation.2™ Serial ATA

Standard Models

ST91000640NS

ST9500620NS

ST9250610NS

Self-Encrypting Drive Models

ST91000641NS

ST9500621NS

ST9250611NS

SED FIPS 140-2 Models Review Pending

ST91000642NS

ST9500622NS

ST9250612NS

100545983
Rev. E
April 2011

Revision history

Revision	Date	Sheets affected or comments
Rev. A	06/16/10	Initial release.
Rev. B	10/12/10	fc, 2, 15-19, 23-24 & 31.
Rev. C	02/14/11	5, 8, 10-12, 14 & 27.
Rev. D	03/15/11	13, 25, 29-30 & 33-34.
Rev. E	04/28/11	fc, 2 & 5.

© 2011, Seagate Technology LLC All rights reserved.

Publication number: 100545983, Rev. E April 2011

Seagate, Seagate Technology and the Wave logo are registered trademarks of Seagate Technology LLC in the United States and/or other countries. Momentus and SeaTools are either trademarks or registered trademarks of Seagate Technology LLC or one of its affiliated companies in the United States and/or other countries. The FIPS logo is a certification mark of NIST, which does not imply product endorsement by NIST, the U.S., or Canadian governments. All other trademarks or registered trademarks are the property of their respective owners.

No part of this publication may be reproduced in any form without written permission of Seagate Technology LLC. Call 877-PUB-TEK1(877-782-8351) to request permission.

One gigabyte, or GB, equals one billion bytes and one terabyte, or TB, equals one trillion bytes. Your computer's operating system may use a different standard of measurement and report a lower capacity. In addition, some of the listed capacity is used for formatting and other functions, and thus will not be available for data storage. Seagate reserves the right to change, without notice, product offerings or specifications.

Contents

1.0	Seagate Technology support services	1
2.0	Introduction	2
2.1	About the Serial ATA interface	4
3.0	Drive specifications	5
3.1	Specification summary tables	5
3.2	Formatted capacity	7
3.2.1	LBA mode	7
3.3	Default logical geometry	7
3.4	Recording and interface technology	8
3.5	Physical characteristics	8
3.6	Seek time	8
3.7	Start/stop times	9
3.8	Power specifications	9
3.8.1	Power consumption	9
3.8.2	Conducted noise	14
3.8.3	Voltage tolerance	14
3.8.4	Power-management modes	15
3.9	Environmental limits	17
3.9.1	Temperature	17
3.9.2	Relative humidity	17
3.9.3	Effective altitude (sea level)	18
3.9.4	Shock	18
3.9.5	Vibration	18
3.10	Acoustics	19
3.11	Electromagnetic immunity	19
3.12	Reliability	20
3.12.1	Annualized Failure Rate (AFR) and Mean Time Between Failures (MTBF)	20
3.13	Agency certification	20
3.13.1	Safety certification	20
3.13.2	Electromagnetic compatibility	20
3.13.3	FCC verification	21
3.14	Environmental protection	21
3.14.1	European Union Restriction of Hazardous Substances (RoHS) Directive	22
3.14.2	China Restriction of Hazardous Substances (RoHS) Directive	22
3.15	Corrosive environment	22
3.16	Reference documents	23
3.17	Product warranty	23
4.0	Configuring and mounting the drive	24
4.1	Handling and static-discharge precautions	24
4.2	Configuring the drive	25
4.3	Serial ATA cables and connectors	25
4.4	Drive mounting	25
4.4.1	Mechanical specifications	26
4.5	Cooling	27
5.0	About FIPS	28
6.0	About self-encrypting drives	29
6.1	Data encryption	29
6.2	Controlled access	29
6.2.1	Admin SP	29
6.2.2	Locking SP	30
6.2.3	Default password	30

6.3	Random number generator (RNG)	30
6.4	Drive locking	30
6.5	Data bands	30
6.6	Cryptographic erase	30
6.7	Authenticated firmware download	31
6.8	Power requirements	31
6.9	Supported commands	31
6.10	RevertSP	31
6.11	ATA Security Erase Unit Command on SED drives	31
6.12	Sanitize Feature Set on SED Drives	31
7.0	Serial ATA (SATA) interface	32
7.1	Hot-Plug compatibility	32
7.2	Serial ATA device plug connector pin definitions	33
7.3	Supported ATA commands	34
7.3.1	Identify Device command	36
7.3.2	Set Features command	40
7.3.3	S.M.A.R.T. commands	41

List of Figures

Figure 1.	Typical 5V/12V startup and operation current profile for 1TB models	13
Figure 2.	Typical 5V/12V startup and operation current profile for 500GB models	13
Figure 3.	Typical 5V/12V startup and operation current profile for 250GB models	14
Figure 4.	Location of the HDA temperature check point	17
Figure 5.	Attaching SATA cabling	25
Figure 6.	Mounting dimensions—top, side and end view	26
Figure 7.	Air flow	27
Figure 8.	Example of FIPS tamper evidence labels.	28

1.0 Seagate Technology support services

SEAGATE ONLINE SUPPORT and SERVICES

For information regarding products and services, visit http://www.seagate.com/www/en-us/about/contact_us/

Available services include:

- Presales & Technical support
- Global Support Services telephone numbers & business hours
- Authorized Service Centers

For information regarding Warranty Support, visit http://www.seagate.com/www/en-us/support/warranty_&_returns_assistance

For information regarding Data Recovery Services, visit <http://www.i365.com>

For Seagate OEM & Distribution partner portal, visit <https://direct.seagate.com/portal/system>

For Seagate reseller portal, visit <http://spp.seagate.com>

2.0 Introduction

This manual describes the functional, mechanical and interface specifications for the following Seagate Constellation.2™ Serial ATA model drives:

Model Number	Self-Encrypting Drive (SED)	FIPS 140-2 Level 2 (Review Pending)
ST91000640NS	No	No
ST91000641NS	Yes	No
ST91000642NS	Yes	Yes
ST9500620NS	No	No
ST9500621NS	Yes	No
ST9500622NS	Yes	Yes
ST9250610NS	No	No
ST9250611NS	Yes	No
ST9250612NS	Yes	Yes

Note. Previous generations of Seagate Self-Encrypting Drive models were called Full Disk Encryption (FDE) models before a differentiation between drive-based encryption and other forms of encryption was necessary.

Note. The Self-Encrypting Drive models indicated on the cover of this product manual have provisions for “Security of Data at Rest” based on the standards defined by the Trusted Computing Group (see www.trustedcomputinggroup.org).

For more information on FIPS 140-2 Level 2 certification see See Section 5.0 on page 28.

For product certification status visit - <http://csrc.nist.gov/groups/STM/cmvp/documents/140-1/1401vend.htm>.

These drives provide the following key features:

- 7200 RPM spindle speed.
- High instantaneous (burst) data-transfer rates (up to 600MB/s).
- Perpendicular recording technology provides the drives with increased areal density.
- State-of-the-art cache and on-the-fly error-correction algorithms.
- Native Command Queuing with command ordering to increase performance in demanding applications.
- Full-track multiple-sector transfer capability without local processor intervention.
- Quiet operation.
- SeaTools diagnostic software performs a drive self-test that eliminates unnecessary drive returns.
- Support for S.M.A.R.T. drive monitoring and reporting.
- Supports latching SATA cables and connectors.
- Worldwide Name (WWN) capability uniquely identifies the drive.

Constellation.2 Serial ATA Self-Encrypting Drive models have the following additional features:

- Automatic data encryption/decryption
- Controlled access
- Random number generator
- Drive locking
- 16 independent data bands
- Cryptographic erase of user data for a drive that will be repurposed or scrapped
- Authenticated firmware download

Note. There is no significant performance difference between Self-Encrypting Drive and standard (non-Self-Encrypting Drive) models.

2.1 About the Serial ATA interface

The Serial ATA interface provides several advantages over the traditional (parallel) ATA interface. The primary advantages include:

- Easy installation and configuration with true plug-and-play connectivity. It is not necessary to set any jumpers or other configuration options.
- Thinner and more flexible cabling for improved enclosure airflow and ease of installation.
- Scalability to higher performance levels.

In addition, Serial ATA makes the transition from parallel ATA easy by providing legacy software support. Serial ATA was designed to allow you to install a Serial ATA host adapter and Serial ATA disc drive in your current system and expect all of your existing applications to work as normal.

The Serial ATA interface connects each disc drive in a point-to-point configuration with the Serial ATA host adapter. There is no master/slave relationship with Serial ATA devices like there is with parallel ATA. If two drives are attached on one Serial ATA host adapter, the host operating system views the two devices as if they were both “masters” on two separate ports. This essentially means both drives behave as if they are Device 0 (master) devices.

Note. The host adapter may, optionally, emulate a master/slave environment to host software where two devices on separate Serial ATA ports are represented to host software as a Device 0 (master) and Device 1 (slave) accessed at the same set of host bus addresses. A host adapter that emulates a master/slave environment manages two sets of shadow registers. This is not a typical Serial ATA environment.

The Serial ATA host adapter and drive share the function of emulating parallel ATA device behavior to provide backward compatibility with existing host systems and software. The Command and Control Block registers, PIO and DMA data transfers, resets, and interrupts are all emulated.

The Serial ATA host adapter contains a set of registers that shadow the contents of the traditional device registers, referred to as the Shadow Register Block. All Serial ATA devices behave like Device 0 devices. For additional information about how Serial ATA emulates parallel ATA, refer to the “Serial ATA: High Speed Serialized AT Attachment” specification. The specification can be downloaded from www.serialata.org.

3.0 Drive specifications

Unless otherwise noted, all specifications are measured under ambient conditions, at 25°C, and nominal power. For convenience, the phrases *the drive* and *this drive* are used throughout this manual to indicate the following drive models:

Unless otherwise stated, the information in this manual applies to standard and Self-Encrypting Drive models

Model Number	Self-Encrypting Drive (SED)	FIPS 140-2 Level 2 (Review Pending)
ST91000640NS	No	No
ST91000641NS	Yes	No
ST91000642NS	Yes	Yes
ST9500620NS	No	No
ST9500621NS	Yes	No
ST9500622NS	Yes	Yes
ST9250610NS	No	No
ST9250611NS	Yes	No
ST9250612NS	Yes	Yes

Product data communicated in this manual is specific only to the model numbers listed in this manual. The data listed in this manual may not be predictive of future generation specifications or requirements. If you are designing a system which will use one of the models listed or future generation products and need further assistance, please contact your Field Applications Engineer (FAE) or our global support services group as shown in Section 1.0.

3.1 Specification summary tables

The specifications listed in the following tables are for quick reference. For details on specification measurement or definition, see the appropriate section of this manual.

Table 1: Drive specifications summary for 1TB, 500 and 250 GB models

Drive specification	ST91000640NS ST91000641NS ST91000642NS	ST9500620NS ST9500621NS ST9500622NS	ST9250610NS ST9250611NS ST9250612NS
Formatted GB (512 bytes/sector)*	1000	500	250
Guaranteed sectors	1,953,525,168	976,773,168	488,397,168
Heads	8	4	2
Discs	4	2	1
Bytes per sector	512		
Default sectors per track	63		
Default read/write heads	16		
Default cylinders	16,383		
Recording density, KBPI (Kb/in max)	1544		
Track density, KTPI (Ktracks/in avg.)	270		
Areal density, (Gb/in ² avg)	417		
Spindle speed (RPM)	7200		
Internal data transfer rate (Mb/s max)	1304		
Sustained data transfer rate OD (MB/s max)	115		
I/O data-transfer rate (MB/s max)	600		
ATA data-transfer modes supported	PIO modes 0–4 Multiword DMA modes 0–2 Ultra DMA modes 0–6		
Cache buffer	64 Mbytes		
Weight: (maximum)	200 g (0.441 lb)	183 g (0.403 lb)	179 g (0.395 lb)
Average latency	4.16 ms		
Power-on to ready (sec max)	20 sec		
Standby to ready (sec max)	13 sec		
Track-to-track seek time (ms typical)	0.23 read 0.44 write		
Average seek, read (ms typical)	7.5		
Average seek, write (ms typical)	8.5		
Startup current (typical) 12V (peak)	2.0 amps		
Voltage tolerance (including noise)	5V ±5% 12V ±5%		
Ambient temperature	5° to 60°C (operating) –40° to 70°C (nonoperating)		
Temperature gradient (°C per hour max)	20°C (operating) 20°C (nonoperating)		
Relative humidity	5% to 95% (operating) 5% to 95% (nonoperating)		
Relative humidity gradient	20% per hour max		
Wet bulb temperature (°C max)	28°C		
Altitude, operating	–60.96 m to 3,048 m (–200 ft. to 10,000+ ft.)		
Altitude, nonoperating (below mean sea level, max)	–60.96 m to 12,192 m (–200 ft. to 40,000+ ft.)		
Operational Shock (max at 2 ms)	Read 70 Gs / Write 40 Gs		
Non-Operational Shock (max at 2 ms)	400 Gs		
Vibration, operating	5–500 Hz: 0.5 Gs		
Vibration, nonoperating	5–500 Hz: 3.0 Gs		

Drive specification	ST91000640NS ST91000641NS ST91000642NS	ST9500620NS ST9500621NS ST9500622NS	ST9250610NS ST9250611NS ST9250612NS
Drive acoustics, sound power (bels)			
Active	2.8 (typical)		
Idle**	2.2 (typical)		
Nonrecoverable read errors	1 sector per 10 ¹⁵ bits read		
Annualized Failure Rate (AFR)	0.62%		
Warranty	To determine the warranty for a specific drive, use a web browser to access the following web page: http://www.seagate.com/www/en-us/support/warranty_&_returns_assistance From this page, click on the "Verify Your Warranty" link. You will be asked to provide the drive serial number, model number (or part number) and country of purchase. The system will display the warranty information for your drive.		
Load/Unload cycles	300,000 (25°C, 50% rel. humidity) (600,000 design life testing)		
Supports Hotplug operation per Serial ATA Revision 2.6 specification	Yes		

*One Gbyte equals one billion bytes when referring to hard drive capacity. Accessible capacity may vary depending on operating environment and formatting.

**During periods of drive idle, some offline activity may occur according to the S.M.A.R.T. specification, which may increase acoustic and power to operational levels.

3.2 Formatted capacity

Model	Formatted capacity*	Guaranteed sectors	Bytes per sector
ST91000640NS ST91000641NS ST91000642NS	1000 GB	1,953,525,168	512
ST9500620NS ST9500621NS ST9500622NS	500 GB	976,773,168	
ST9250610NS ST9250611NS ST9250612NS	250 GB	488,397,168	

*One GB equals one billion bytes when referring to hard drive capacity. Accessible capacity may vary depending on operating environment and formatting.

3.2.1 LBA mode

When addressing these drives in LBA mode, all blocks (sectors) are consecutively numbered from 0 to $n-1$, where n is the number of guaranteed sectors as defined above.

See Section 7.3.1, "Identify Device command" (words 60-61 and 100-103) for additional information about 48-bit addressing support of drives with capacities over 137 Gbytes.

3.3 Default logical geometry

Cylinders	Read/write heads	Sectors per track
16,383	16	63

LBA mode

When addressing these drives in LBA mode, all blocks (sectors) are consecutively numbered from 0 to $n-1$, where n is the number of guaranteed sectors as defined above.

3.4 Recording and interface technology

	All models
Interface	Serial ATA (SATA)
Recording method	Perpendicular
Recording density, KBPI (Kb/in max)	1544
Track density, KTPI (Ktracks/in avg)	270
Areal density (Gb/in ² avg)	417
Spindle speed (RPM) (± 0.2%)	7200
Internal data transfer rate (Mb/s max)	1304
Sustained data transfer rate (MB/s max)	115
I/O data-transfer rate (MB/s max)	600

3.5 Physical characteristics

Weight: (maximum)	
1TB models	200 g (0.441 lb)
500GB models	183 g (0.403 lb)
250GB models	179 g (0.395 lb)
Cache buffer	64 Mbytes (65,536 KB)

Note. Refer to Figure 6, page 26 for detailed mounting configuration dimensions.

3.6 Seek time

Seek measurements are taken with nominal power at 25°C ambient temperature. All times are measured using drive diagnostics. The specifications in the table below are defined as follows:

- Track-to-track seek time is an average of all possible single-track seeks in both directions.
- Average seek time is a true statistical random average of at least 5,000 measurements of seeks between random tracks, less overhead.

*Typical seek times (ms)	Read	Write
Track-to-track	0.23	0.44
Average	7.5	8.5
Full Stroke	17.06	18.08
Average latency:	4.16	

*Measured in performance mode.

Note. These drives are designed to consistently meet the seek times represented in this manual. Physical seeks, regardless of mode (such as track-to-track and average), are expected to meet the noted values. However, due to the manner in which these drives are formatted, benchmark tests that include command overhead or measure logical seeks may produce results that vary from these specifications.

3.7 Start/stop times

Power-on to Ready (sec)	20 (max)
Standby to Ready (sec)	13 (max)
Ready to spindle stop (sec)	20 (max)

3.8 Power specifications

The drive receives DC power (+5V or +12V) through a native SATA power connector. See Figure 5, page 25 on page 25.

3.8.1 Power consumption

Power requirements for the drives are listed in the table on page 9. Typical power measurements are based on an average of drives tested, under nominal conditions, using 5.0V and 12.0V input voltage at 25°C ambient temperature.

- **Spinup power**

Spinup power is measured from the time of power-on to the time that the drive spindle reaches operating speed.

- **Standby mode**

During Standby mode, the drive accepts commands, but the drive is not spinning, and the servo and read/write electronics are in power-down mode.

The standard drive models and the SED drive models have identical hardware, however the security and encryption portion of the drive controller ASIC is enabled and functional in the SED models. This represents a small additional drain on the 5V supply of about 30mA and a commensurate increase of about 150mW in power consumption. There is no additional drain on the 12V supply.

Table 2: 1000GB drive (Standard & SED model) DC power requirements

Parameter	ST91000640NS (3.0GB)			ST91000640NS (6.0GB)		
	+5 V	+12 V	Power	+5 V	+12 V	Power
Regulation	+/-5%		(watts)	+/-5%		(watts)
Average Idle Current	0.22	0.15	2.92	0.23	0.15	2.95
Advanced Idle Current						
Idle1	0.22	0.15	2.91	0.23	0.15	2.96
Idle2	0.15	0.13	2.28	0.16	0.13	2.32
Idle3	0.15	0.09	1.84	0.16	0.09	1.89
Standby	0.14	0.04	1.20	0.14	0.04	1.23
Average Sleep Current	0.14	0.04	1.17	0.14	0.04	1.21
Maximum Start Current:						
DC (Peak DC)	0.51	0.85	12.70	0.51	0.85	12.73
AC (Peak AC)	0.70	1.20	17.93	0.74	1.22	18.35
Delayed Motor Start (DC max)	0.14	0.04	1.20	0.14	0.04	1.22
Peak Operating Current (random read):						
Typical DC	0.30	0.32	5.39	0.31	0.32	5.43
Maximum DC	0.30	0.33	5.45	0.32	0.33	5.52
Maximum DC (peak)	1.04	0.88	15.76	1.02	0.90	15.90
Peak Operating Current (random write):						
Typical DC	0.38	0.27	5.20	0.39	0.27	5.25
Maximum DC	0.39	0.27	5.23	0.40	0.28	5.32
Maximum DC (peak)	0.94	0.88	15.26	0.96	0.90	15.60
Peak operating current (sequential read):						
Typical DC	0.61	0.18	5.17	0.62	0.18	5.21
Maximum DC	0.62	0.18	5.24	0.64	0.18	5.31
Maximum DC (peak)	0.82	0.34	8.18	0.86	0.34	8.38
Peak operating current (sequential write):						
Typical DC	0.77	0.18	5.96	0.78	0.18	6.00
Maximum DC	0.78	0.18	6.04	0.81	0.18	6.16
Maximum DC (peak)	0.98	0.34	8.98	0.98	0.38	9.46

*During periods of drive idle, some offline activity may occur according to the S.M.A.R.T. specification, which may increase acoustic and power to operational levels.

500GB drive (Standard & SED model) DC power requirements

Parameter	ST9500620NS (3.0GB)			ST9500620NS (6.0GB)		
	+5 V	+12 V	Power	+5 V	+12 V	Power
Regulation	+/-5%		(watts)	+/-5%		(watts)
Average Idle Current	0.22	0.11	2.40	0.23	0.11	2.44
Advanced Idle Current						
Idle1	0.22	0.11	2.40	0.23	0.11	2.43
Idle2	0.16	0.09	1.88	0.16	0.09	1.93
Idle3	0.16	0.07	1.64	0.16	0.07	1.67
Standby	0.14	0.04	1.17	0.15	0.04	1.22
Average Sleep Current	0.14	0.04	1.17	0.15	0.04	1.20
Maximum Start Current:						
DC (Peak DC)	0.47	0.80	11.93	0.47	0.80	11.98
AC (Peak AC)	0.69	1.18	17.66	0.63	1.19	17.38
Delayed Motor Start (DC max)	0.14	0.04	1.19	0.15	0.04	1.23
Peak Operating Current (random read):						
Typical DC	0.29	0.27	4.69	0.29	0.27	4.73
Maximum DC	0.29	0.27	4.74	0.30	0.28	4.79
Maximum DC (peak)	0.96	0.82	14.64	1.00	0.86	15.32
Peak Operating Current (random write):						
Typical DC	0.37	0.23	4.55	0.37	0.23	4.59
Maximum DC	0.37	0.23	4.61	0.38	0.23	4.65
Maximum DC (peak)	0.90	0.86	14.82	0.92	0.84	14.68
Peak operating current (sequential read):						
Typical DC	0.58	0.13	4.46	0.59	0.13	4.49
Maximum DC	0.59	0.13	4.54	0.60	0.13	4.55
Maximum DC (peak)	0.76	0.30	7.40	0.80	0.30	7.60
Peak operating current (sequential write):						
Typical DC	0.75	0.13	5.28	0.75	0.13	5.31
Maximum DC	0.77	0.13	5.40	0.77	0.13	5.40
Maximum DC (peak)	0.92	0.30	8.20	0.98	0.28	8.26

*During periods of drive idle, some offline activity may occur according to the S.M.A.R.T. specification, which may increase acoustic and power to operational levels.

250GB drive (Standard & SED model) DC power requirements

Parameter	ST9250610NS (3.0GB)			ST9250610NS (6.0GB)		
	+5 V	+12 V	Power	+5 V	+12 V	Power
Regulation	+/-5%		(watts)	+/-5%		(watts)
Average Idle Current	0.22	0.09	2.23	0.23	0.09	2.25
Advanced Idle Current						
Idle1	0.22	0.09	2.22	0.22	0.09	2.24
Idle2	0.16	0.08	1.81	0.17	0.08	1.82
Idle3	0.16	0.07	1.61	0.16	0.07	1.63
Standby	0.14	0.04	1.20	0.15	0.04	1.24
Average Sleep Current	0.14	0.04	1.20	0.15	0.04	1.22
Maximum Start Current:						
DC (Peak DC)	0.51	0.78	11.96	0.52	0.78	11.92
AC (Peak AC)	0.64	1.14	16.93	0.60	1.14	16.70
Delayed Motor Start (DC max)	0.15	0.04	1.24	0.16	0.04	1.29
Peak Operating Current (random read):						
Typical DC	0.29	0.26	4.54	0.30	0.26	4.61
Maximum DC	0.29	0.26	4.63	0.30	0.27	4.71
Maximum DC (peak)	0.96	0.84	14.88	0.96	0.82	14.64
Peak Operating Current (random write):						
Typical DC	0.39	0.21	4.48	0.39	0.22	4.55
Maximum DC	0.39	0.22	4.55	0.40	0.22	4.64
Maximum DC (peak)	0.82	0.84	14.18	0.84	0.80	13.80
Peak operating current (sequential read):						
Typical DC	0.57	0.11	4.17	0.58	0.11	4.22
Maximum DC	0.58	0.11	4.25	0.59	0.11	4.32
Maximum DC (peak)	0.74	0.28	7.06	0.78	0.26	7.02
Peak operating current (sequential write):						
Typical DC	0.70	0.11	4.81	0.70	0.11	4.86
Maximum DC	0.71	0.11	4.89	0.72	0.11	4.95
Maximum DC (peak)	0.86	0.26	7.42	0.90	0.26	7.62

*During periods of drive idle, some offline activity may occur according to the S.M.A.R.T. specification, which may increase acoustic and power to operational levels.

3.8.1.1 Typical current profiles

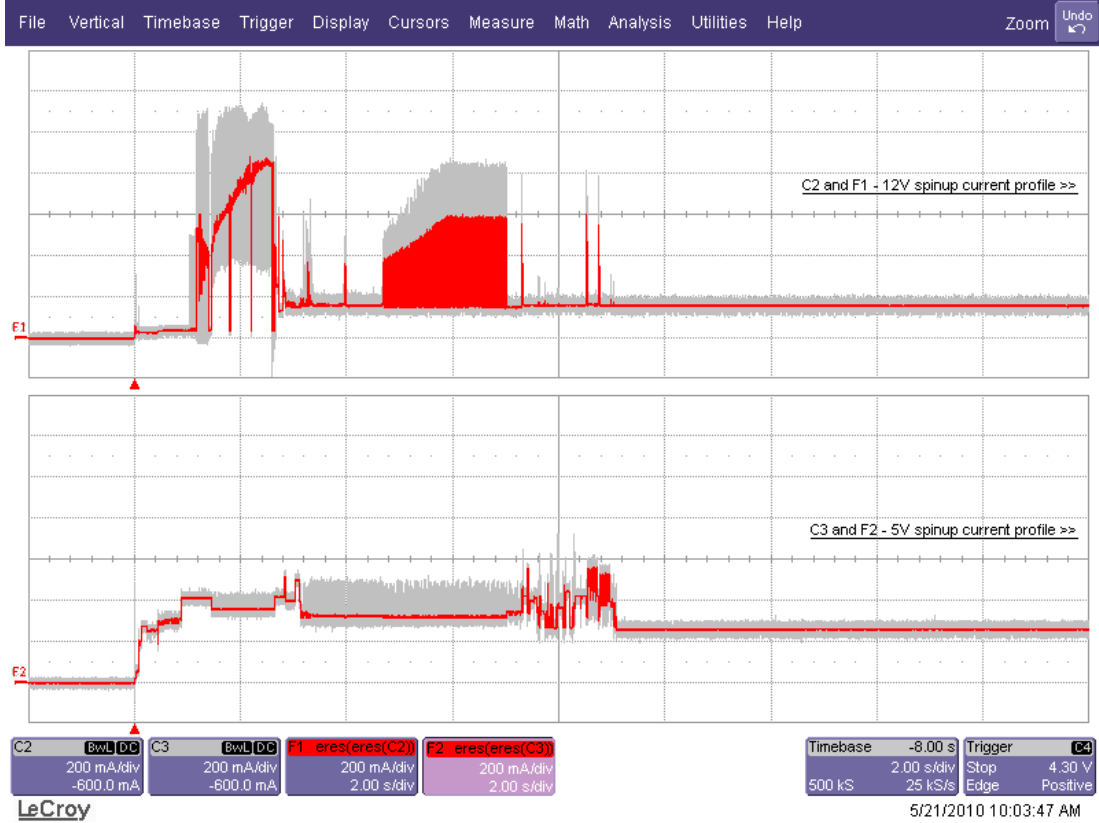


Figure 1. Typical 5V/12V startup and operation current profile for 1TB models

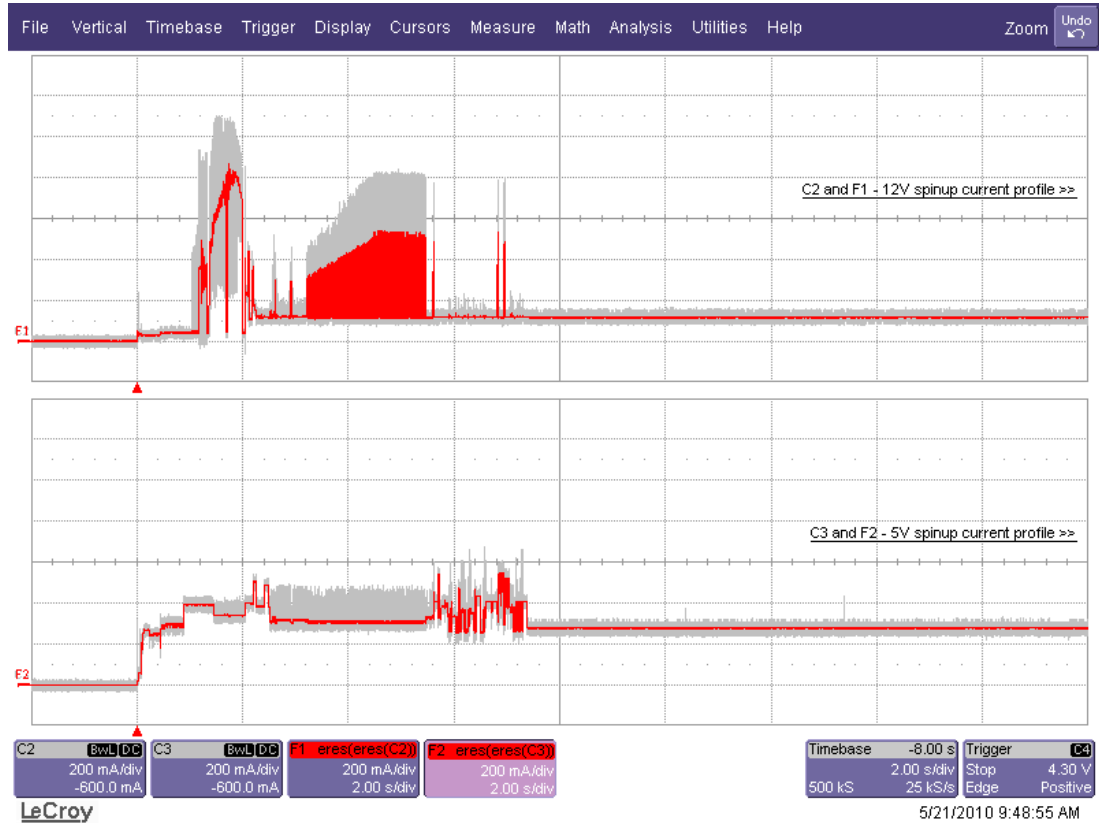


Figure 2. Typical 5V/12V startup and operation current profile for 500GB models

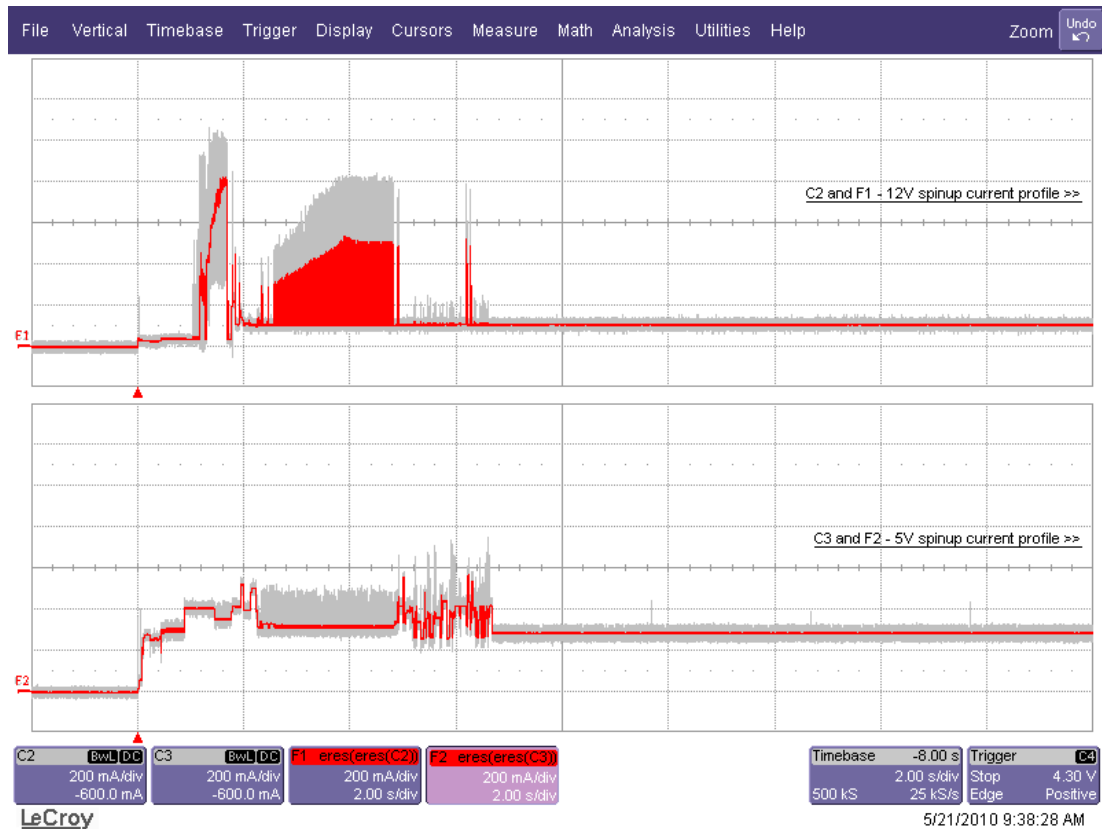


Figure 3. Typical 5V/12V startup and operation current profile for 250GB models

3.8.2 Conducted noise

Noise is specified as a periodic and random distribution of frequencies covering a defined frequency. Maximum allowed noise values given below are peak-to-peak measurements and apply at the drive power connector.

- +5v = 250 mV pp from 100 Hz to 20 MHz.
- +12v = 450 mV pp from 100 Hz to 100 KHz.
= 250 mV pp from 100 KHz to 20 MHz
= 150 mV pp from 20 MHz to 80 MHz

Note. Equivalent resistance is calculated by dividing the nominal voltage by the typical RMS read/write current.

3.8.3 Voltage tolerance

Voltage tolerance (including noise):

- 5V \pm 5%
- 12V \pm 5%

3.8.4 Power-management modes

The drive provides programmable power management to provide greater energy efficiency. In most systems, you can control power management through the system setup program. The drive features the following power-management modes:

Power modes	Heads	Spindle	Buffer
Active	Tracking	Rotating	Enabled
Idle_a	ID Biased	Rotating	Enabled
Idle_b	Parked	Rotating	Enabled
Idle_c	Parked	Rotating at lower RPM	Enabled
Standby	Parked	Stopped	Enabled
Sleep	Parked	Stopped	Disabled

- **Active mode**

The drive is in Active mode during the read/write and seek operations.

- **Idle mode**

The buffer remains enabled, and the drive accepts all commands and returns to Active mode any time disc access is necessary.

- **Standby mode**

The drive enters Standby mode when the host sends a Standby Immediate command. If the host has set the standby timer, the drive can also enter Standby mode automatically after the drive has been inactive for a specifiable length of time. The standby timer delay is established using a Standby or Idle command. In Standby mode, the drive buffer is enabled, the heads are parked and the spindle is at rest. The drive accepts all commands and returns to Active mode any time disc access is necessary.

- **Sleep mode**

The drive enters Sleep mode after receiving a Sleep command from the host. In Sleep mode, the drive buffer is disabled, the heads are parked and the spindle is at rest. The drive leaves Sleep mode after it receives a Hard Reset or Soft Reset from the host. After receiving a reset, the drive exits Sleep mode and enters Standby mode with all current translation parameters intact.

- **Idle and Standby timers**

Each time the drive performs an Active function (read, write or seek), the standby timer is reinitialized and begins counting down from its specified delay times to zero. If the standby timer reaches zero before any drive activity is required, the drive makes a transition to Standby mode. In both Idle and Standby mode, the drive accepts all commands and returns to Active mode when disc access is necessary.

3.8.4.1 Extended Power Conditions - PowerChoice™

Utilizing the load/unload architecture a programmable power management interface is provided to tailor systems for reduced power consumption and performance requirements.

The table below lists the supported power conditions available in PowerChoice. Power conditions are ordered from highest power consumption (and shortest recovery time) to lowest power consumption (and longest recovery time) as follows: Idle_a power >= Idle_b power >= Idle_c power >= Standby_z power. The further you go down in the table, the more power savings is actualized. For example, Idle_b results in greater power savings than the Idle_a power condition. Standby results in the greatest power savings.

Power Condition Name	Power Condition ID	Description
Idle_a	81 _H	Reduced electronics
Idle_b	82 _H	Heads unloaded. Disks spinning at full RPM
Idle_c	83 _H	Heads unloaded. Disks spinning at reduced RPM
Standby_z	00 _H	Heads unloaded. Motor stopped (disks not spinning)

Each power condition has a set of current, saved and default settings. Default settings are not modifiable. Default and saved settings persist across power-on resets. The current settings do not persist across power-on resets. At the time of manufacture, the default, saved and current settings are in the Power Conditions log match.

PowerChoice is invoked using one of two methods

- Automatic power transitions which are triggered by expiration of individual power condition timers. These timer values may be customized and enabled using the Extended Power Conditions (EPC) feature set using the standardized Set Features command interface.
- Immediate host commanded power transitions may be initiated using an EPC Set Features "Go to Power Condition" subcommand to enter any supported power condition. Legacy power commands Standby Immediate and Idle Immediate also provide a method to directly transition the drive into supported power conditions.

PowerChoice exits power saving states under the following conditions

- Any command which requires the drive to enter the PM0: Active state (media access)
- Power on reset

PowerChoice provides the following reporting methods for tracking purposes

Check Power Mode Command

- Reports the current power state of the drive

Identify Device Command

- EPC Feature set supported flag
- EPC Feature enabled flag is set if at least one Idle power condition timer is enabled

Power Condition Log reports the following for each power condition

- Nominal recovery time from the power condition to active
- If the power condition is Supported, Changeable, and Savable
- Default enabled state, and timer value
- Saved enabled state, and timer value
- Current enabled state, and timer value

S.M.A.R.T. Read Data Reports

- Attribute 192 - Emergency Retract Count
- Attribute 193 - Load/Unload Cycle Count

3.9 Environmental limits

Temperature and humidity values experienced by the drive must be such that condensation does not occur on any drive part. Altitude and atmospheric pressure specifications are referenced to a standard day at 58.7°F (14.8°C). Maximum wet bulb temperature is 82°F (28°C).

3.9.1 Temperature

a. Operating

The drive meets the operating specifications over a 41°F to 140°F (5°C to 60°C) drive case temperature range with a maximum temperature gradient of 36°F (20°C) per hour.

The maximum allowable drive case temperature is 60°C.

The MTBF specification for the drive assumes the operating environment is designed to maintain nominal case temperature. The rated MTBF is based upon a sustained case temperature of 104°F (40°C). Occasional excursions in operating temperature between the rated MTBF temperature and the maximum drive operating case temperature may occur without impact to the rated MTBF temperature. However continual or sustained operation at case temperatures beyond the rated MTBF temperature will degrade the drive MTBF and reduce product reliability.

Air flow may be required to achieve consistent nominal case temperature values (see Section 4.5). To confirm that the required cooling is provided for the electronics and HDA, place the drive in its final mechanical configuration, and perform random write/read operations. After the temperatures stabilize, measure the case temperature of the drive.

b. Non-operating

−40° to 158°F (−40° to 70°C) package ambient with a maximum gradient of 36°F (20°C) per hour. This specification assumes that the drive is packaged in the shipping container designed by Seagate for use with drive.

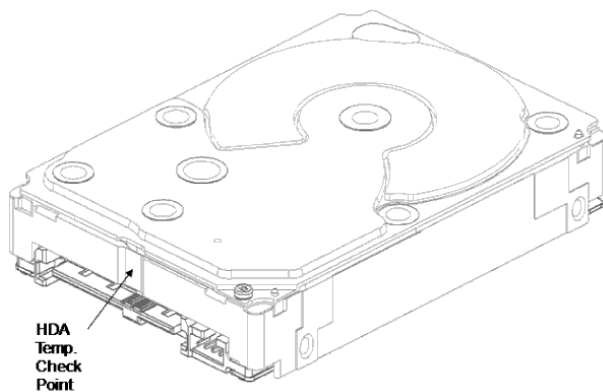


Figure 4. Location of the HDA temperature check point

3.9.2 Relative humidity

The values below assume that no condensation on the drive occurs.

a. Operating

5% to 95% non-condensing relative humidity with a maximum gradient of 20% per hour.

b. Non-operating

5% to 95% non-condensing relative humidity.

3.9.3 Effective altitude (sea level)

- a. Operating
-200 to +10,000 feet (-61 to +3,048 meters)
- b. Non-operating
-200 to +40,000 feet (-61 to +12,210 meters)

3.9.4 Shock

All shock specifications assume that the drive is mounted securely with the input shock applied at the drive mounting screws. Shock may be applied in the X, Y or Z axis.

3.9.4.1 Operating shock

These drives comply with the performance levels specified in this document when subjected to a maximum operating shock of Read 70 Gs and Write 40 Gs based on half-sine shock pulses of 2ms. Shocks should not be repeated more than once every 2 seconds.

3.9.4.2 Nonoperating shock

The nonoperating shock level that the drive can experience without incurring physical damage or degradation in performance when subsequently put into operation is 400 Gs based on a nonrepetitive half-sine shock pulse of 2ms duration.

3.9.5 Vibration

All vibration specifications assume that the drive is mounted securely with the input vibration applied at the drive mounting screws. Vibration may be applied in the X, Y or Z axis.

3.9.5.1 Operating vibration

The maximum vibration levels that the drive may experience while meeting the performance standards specified in this document are specified below.

5–500 Hz	0.50 Gs
----------	---------

3.9.5.2 Nonoperating vibration

The maximum nonoperating vibration levels that the drive may experience without incurring physical damage or degradation in performance when subsequently put into operation are specified below.

5–500 Hz	3.0 Gs
----------	--------

3.10 Acoustics

Drive acoustics are measured as overall A-weighted acoustic sound power levels (no pure tones). All measurements are consistent with ISO document 7779. Sound power measurements are taken under essentially free-field conditions over a reflecting plane. For all tests, the drive is oriented with the cover facing upward.

Note. For seek mode tests, the drive is placed in seek mode only. The number of seeks per second is defined by the following equation:

$$(\text{Number of seeks per second} = 0.4 / (\text{average latency} + \text{average access time}))$$

Table 3: Fluid Dynamic Bearing (FDB) motor acoustics

Active	Idle*
2.8 bels (typ)	2.2 bels (typ)

*During periods of drive idle, some offline activity may occur according to the S.M.A.R.T. specification, which may increase acoustic and power to operational levels.

3.11 Electromagnetic immunity

When properly installed in a representative host system, the drive operates without errors or degradation in performance when subjected to the radio frequency (RF) environments defined in the following table:

Table 4: Radio frequency environments

Test	Description	Performance level	Reference standard
Electrostatic discharge	Contact, HCP, VCP: ± 4 kV; Air: ± 8 kV	B	EN 61000-4-2: 95
Radiated RF immunity	80 to 1,000 MHz, 3 V/m, 80% AM with 1 kHz sine 900 MHz, 3 V/m, 50% pulse modulation @ 200 Hz	A	EN 61000-4-3: 96 ENV 50204: 95
Electrical fast transient	± 1 kV on AC mains, ± 0.5 kV on external I/O	B	EN 61000-4-4: 95
Surge immunity	± 1 kV differential, ± 2 kV common, AC mains	B	EN 61000-4-5: 95
Conducted RF immunity	150 kHz to 80 MHz, 3 Vrms, 80% AM with 1 kHz sine	A	EN 61000-4-6: 97
Voltage dips, interrupts	0% open, 5 seconds 0% short, 5 seconds 40%, 0.10 seconds 70%, 0.01 seconds	C C C B	EN 61000-4-11: 94

3.12 Reliability

3.12.1 Annualized Failure Rate (AFR) and Mean Time Between Failures (MTBF)

The product shall achieve an Annualized Failure Rate - AFR - of 0.62% (Mean Time Between Failures - MTBF - of 1.4 Million hrs) when operated in an environment that ensures the HDA case temperatures do not exceed 40°C. Operation at case temperatures outside the specifications in Section 3.9 may increase the product Annualized Failure Rate (decrease MTBF). AFR and MTBF are population statistics that are not relevant to individual units.

AFR and MTBF specifications are based on the following assumptions for business critical storage system environments:

- 8760 power-on-hours per year.
- 250 average motor start/stop cycles per year.
- Operations at nominal voltages.
- Systems will provide adequate cooling to ensure the case temperatures do not exceed 40°C. Temperatures outside the specifications in Section 3.8 will increase the product AFR and decrease MTBF.

Nonrecoverable read errors	1 per 10 ¹⁵ bits read, max
Annualized Failure Rate (AFR)	0.62% (nominal power, 40°C case temperature)
Load unload cycles	300,000 cycles
Warranty	To determine the warranty for a specific drive, use a web browser to access the following web page: http://www.seagate.com/www/en-us/support/warranty_&_returns_assistance From this page, click on the “Verify Your Warranty” link. You will be asked to provide the drive serial number, model number (or part number) and country of purchase. The system will display the warranty information for your drive.
Preventive maintenance	None required.

3.13 Agency certification

3.13.1 Safety certification

The drives are recognized in accordance with UL 60950-1 as tested by UL, CSA 60950-1 as tested by CSA, and EN60950-1 as tested by TUV.

The security features of Self-Encrypting Drive models are based on the “TCG Storage Architecture Core Specification” and the “TCG Storage Workgroup Security Subsystem Class: Enterprise_A” specification with additional vendor-unique features as noted in this product manual.

3.13.2 Electromagnetic compatibility

Hard drives that display the CE mark comply with the European Union (EU) requirements specified in the Electromagnetic Compatibility Directive (2004/108/EC) as put into place 20 July 2007. Testing is performed to the levels specified by the product standards for Information Technology Equipment (ITE). Emission levels are defined by EN 55022, Class B and the immunity levels are defined by EN 55024.

Seagate uses an independent laboratory to confirm compliance with the EC directives specified in the previous paragraph. Drives are tested in representative end-user systems. Although CE-marked Seagate drives comply with the directives when used in the test systems, we cannot guarantee that all systems will comply with the directives. The drive is designed for operation inside a properly designed enclosure, with properly shielded I/O cable (if necessary) and terminators on all unused I/O ports. Computer manufacturers and system integrators should confirm EMC compliance and provide CE marking for their products.

Korean RRL

If these drives have the Korean Communications Commission (KCC) logo, they comply with paragraph 1 of Article 11 of the Electromagnetic Compatibility control Regulation and meet the Electromagnetic Compatibility (EMC) Framework requirements of the Radio Research Laboratory (RRL) Communications Commission, Republic of Korea.

These drives have been tested and comply with the Electromagnetic Interference/Electromagnetic Susceptibility (EMI/EMS) for Class B products. Drives are tested in a representative, end-user system by a Korean-recognized lab.

- Family name: Constellation.2 Serial ATA
- Certificate number: STX- ST91000640NS (B)

Australian C-Tick (N176)

If these models have the C-Tick marking, they comply with the Australia/New Zealand Standard AS/NZ CISPR22 and meet the Electromagnetic Compatibility (EMC) Framework requirements of the Australian Communication Authority (ACA).

3.13.3 FCC verification

These drives are intended to be contained solely within a personal computer or similar enclosure (not attached as an external device). As such, each drive is considered to be a subassembly even when it is individually marketed to the customer. As a subassembly, no Federal Communications Commission verification or certification of the device is required.

Seagate Technology LLC has tested this device in enclosures as described above to ensure that the total assembly (enclosure, disc drive, motherboard, power supply, etc.) does comply with the limits for a Class B computing device, pursuant to Subpart J, Part 15 of the FCC rules. Operation with noncertified assemblies is likely to result in interference to radio and television reception.

Radio and television interference. This equipment generates and uses radio frequency energy and if not installed and used in strict accordance with the manufacturer's instructions, may cause interference to radio and television reception.

This equipment is designed to provide reasonable protection against such interference in a residential installation. However, there is no guarantee that interference will not occur in a particular installation. If this equipment does cause interference to radio or television, which can be determined by turning the equipment on and off, you are encouraged to try one or more of the following corrective measures:

- Reorient the receiving antenna.
- Move the device to one side or the other of the radio or TV.
- Move the device farther away from the radio or TV.
- Plug the computer into a different outlet so that the receiver and computer are on different branch outlets.

If necessary, you should consult your dealer or an experienced radio/television technician for additional suggestions. You may find helpful the following booklet prepared by the Federal Communications Commission: *How to Identify and Resolve Radio-Television Interference Problems*. This booklet is available from the Superintendent of Documents, U.S. Government Printing Office, Washington, DC 20402. Refer to publication number 004-000-00345-4.

3.14 Environmental protection

Seagate designs its products to meet environmental protection requirements worldwide, including regulations restricting certain chemical substances.

3.14.1 European Union Restriction of Hazardous Substances (RoHS) Directive

The European Union Restriction of Hazardous Substances (RoHS) Directive, restricts the presence of chemical substances, including Lead, Cadmium, Mercury, Hexavalent Chromium, PBB and PBDE, in electronic products, effective July 2006. This drive is manufactured with components and materials that comply with the RoHS Directive.

3.14.2 China Restriction of Hazardous Substances (RoHS) Directive 中国限制危险物品的指令

This product has an Environmental Protection Use Period (EPUP) of 20 years. The following table contains information mandated by China's "Marking Requirements for Control of Pollution Caused by Electronic Information Products" Standard.



该产品具有20年的环境保护使用周期（EPUP）。下表包含了中国“电子产品所导致的污染的控制的记号要求”所指定的信息。

Name of Parts 部件名称	Toxic or Hazardous Substances or Elements有毒有害物质或元素					
	Lead 铅 (Pb)	Mercury 汞 (Hg)	Cadmium 镉 (Cd)	Hexavalent Chromium 六价铬 (Cr6+)	Polybrominated Diphenyl 多溴联苯 (PBB)	Polybrominated Diphenyl Ether 多溴二苯醚 (PBDE)
PCBA	X	0	0	0	0	0
HDA	X	0	0	0	0	0

"O" indicates the hazardous and toxic substance content of the part (at the homogenous material level) is lower than the threshold defined by the China RoHS MCV Standard.

“O”表示该部件（于同类物品程度上）所含的危险和有毒物质低于中国RoHS MCV标准所定义的门槛值。

"X" indicates the hazardous and toxic substance content of the part (at the homogenous material level) is over the threshold defined by the China RoHS MCV Standard.

“X”表示该部件（于同类物品程度上）所含的危险和有毒物质超出中国RoHS MCV标准所定义的门槛值。

3.15 Corrosive environment

Seagate electronic drive components pass accelerated corrosion testing equivalent to 10 years exposure to light industrial environments containing sulfurous gases, chlorine and nitric oxide, classes G and H per ASTM B845. However, this accelerated testing cannot duplicate every potential application environment. Users should use caution exposing any electronic components to uncontrolled chemical pollutants and corrosive chemicals as electronic drive component reliability can be affected by the installation environment. The silver, copper, nickel and gold films used in Seagate products are especially sensitive to the presence of sulfide, chloride, and nitrate contaminants. Sulfur is found to be the most damaging. In addition, electronic components should never be exposed to condensing water on the surface of the printed circuit board assembly (PCBA) or exposed to an ambient relative humidity greater than 95%. Materials used in cabinet fabrication, such as vulcanized rubber, that can outgas corrosive compounds should be minimized or eliminated. The useful life of any electronic equipment may be extended by replacing materials near circuitry with sulfide-free alternatives.

3.16 Reference documents

Self-Encrypting Drives Reference Manual

Seagate part number: 100515636

Trusted Computing Group (TCG) Documents (apply to Self-Encrypting Drive models only)

TCG Storage Architecture Core Specification, Rev. 1.0

TCG Storage Security Subsystem Class Enterprise Specification, Rev. 1.0

In case of conflict between this document and any referenced document, this document takes precedence.

3.17 Product warranty

Beginning on the date of shipment to the customer and continuing for the period specified in your purchase contract, Seagate warrants that each product (including components and subassemblies) that fails to function properly under normal use due to defect in materials or workmanship or due to nonconformance to the applicable specifications will be repaired or replaced, at Seagate's option and at no charge to the customer, if returned by customer at customer's expense to Seagate's designated facility in accordance with Seagate's warranty procedure. Seagate will pay for transporting the repair or replacement item to the customer. For more detailed warranty information, refer to the standard terms and conditions of purchase for Seagate products on your purchase documentation.

The remaining warranty for a particular drive can be determined by calling Seagate Customer Service at 1-800-468-3472. You can also determine remaining warranty using the Seagate web site (www.seagate.com). The drive serial number is required to determine remaining warranty information.

Shipping

When transporting or shipping a drive, use only a Seagate-approved container. Keep your original box. Seagate approved containers are easily identified by the Seagate Approved Package label. Shipping a drive in a non-approved container voids the drive warranty.

Seagate repair centers may refuse receipt of components improperly packaged or obviously damaged in transit. Contact your authorized Seagate distributor to purchase additional boxes. Seagate recommends shipping by an air-ride carrier experienced in handling computer equipment.

Storage

The maximum recommended storage period for the drive in a non-operational environment is 90 days. Drives should be stored in the original unopened Seagate shipping packaging whenever possible. Once the drive is removed from the Seagate original packaging the recommended maximum period between drive operation cycles is 30 days. During any storage period the drive non-operational temperature, humidity, wet bulb, atmospheric conditions, shock, vibration, magnetic and electrical field specifications should be followed.

Product repair and return information

Seagate customer service centers are the only facilities authorized to service Seagate drives. Seagate does not sanction any third-party repair facilities. Any unauthorized repair or tampering with the factory seal voids the warranty.

4.0 Configuring and mounting the drive

This section contains the specifications and instructions for configuring and mounting the drive.

4.1 Handling and static-discharge precautions

After unpacking, and before installation, the drive may be exposed to potential handling and electrostatic discharge (ESD) hazards. Observe the following standard handling and static-discharge precautions:

Caution:

- Before handling the drive, put on a grounded wrist strap, or ground yourself frequently by touching the metal chassis of a computer that is plugged into a grounded outlet. Wear a grounded wrist strap throughout the entire installation procedure.
- Handle the drive by its edges or frame *only*.
- The drive is extremely fragile—handle it with care. Do not press down on the drive top cover.
- Always rest the drive on a padded, antistatic surface until you mount it in the computer.
- Do not touch the connector pins or the printed circuit board.
- Do not remove the factory-installed labels from the drive or cover them with additional labels. Removal voids the warranty. Some factory-installed labels contain information needed to service the drive. Other labels are used to seal out dirt and contamination.

4.2 Configuring the drive

Each drive on the Serial ATA interface connects point-to-point with the Serial ATA host adapter. There is no master/slave relationship because each drive is considered a master in a point-to-point relationship. If two drives are attached on one Serial ATA host adapter, the host operating system views the two devices as if they were both “masters” on two separate ports. Both drives behave as if they are Device 0 (master) devices.

Serial ATA drives are designed for easy installation. It is usually not necessary to set any jumpers on the drive for proper operation; however, if you connect the drive and receive a “drive not detected” error, your SATA-equipped motherboard or host adapter may use a chipset that does not support SATA speed autonegotiation.

4.3 Serial ATA cables and connectors

The Serial ATA interface cable consists of four conductors in two differential pairs, plus three ground connections. The cable size may be 30 to 26 AWG with a maximum length of one meter (39.37in). See Table 5 for connector pin definitions. Either end of the SATA signal cable can be attached to the drive or host.

For direct backplane connection, the drive connectors are inserted directly into the host receptacle. The drive and the host receptacle incorporate features that enable the direct connection to be hot pluggable and blind mateable.

For installations which require cables, you can connect the drive as illustrated in Figure 5, page 25.

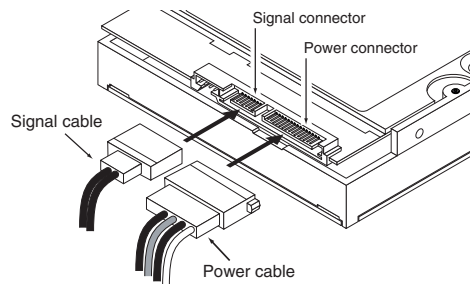


Figure 5. Attaching SATA cabling

Each cable is keyed to ensure correct orientation. Constellation.2 Serial ATA drives support latching SATA connectors.

4.4 Drive mounting

You can mount the drive in any orientation using four screws in the side-mounting holes or four screws in the bottom-mounting holes. See Figure 6, page 26 for drive mounting dimensions. Follow these important mounting precautions when mounting the drive:

- Allow a minimum clearance of 0.030 in (0.76 mm) around the entire perimeter of the drive for cooling as a guideline. Please refer to Section 4.5 for final cooling requirements.
- Use only M3 x 0.5 metric mounting screws.
- Four (4) threads (0.080 in) minimum screw engagement recommended. Also ensure maximum screw length does not bottom out in mounting holes.
- Do not overtighten the mounting screws (maximum torque: 4.5 in-lb, \pm 0.45 in-lb)

4.4.1 Mechanical specifications

Refer to Figure 6, page 26 for detailed mounting configuration dimensions. See Section 4.4, "Drive mounting."

Weight: (maximum)	1TB models	200 g (0.441 lb)
	500GB models	183 g (0.403 lb)
	250GB models	179 g (0.395 lb)

Note. These dimensions conform to the Small Form Factor Standard documented in SFF-8201 and SFF-8223 found at www.sffcommittee.org.

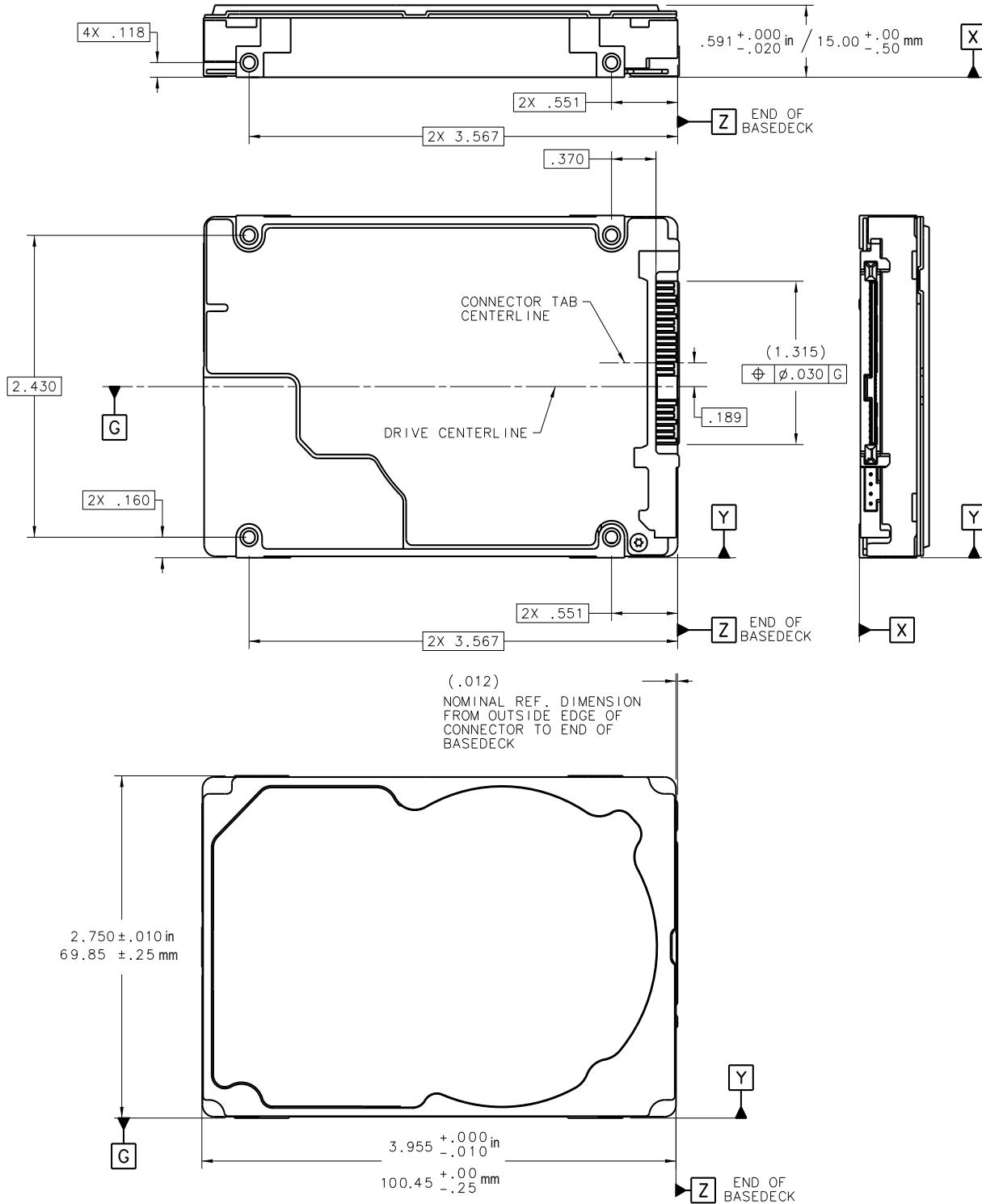


Figure 6. Mounting dimensions—top, side and end view

4.5 Cooling

Cabinet cooling must be designed by the customer so that the ambient temperature immediately surrounding the drive will not exceed temperature conditions specified in Section 3.9.1, "Temperature."

The rack, cabinet, or drawer environment for the drive must provide heat removal from the electronics and head and disc assembly (HDA). You should confirm that adequate heat removal is provided using the temperature measurement guidelines described in Section 3.9.1.

Forced air flow may be required to keep temperatures at or below the temperatures specified in Section 3.9.1 in which case the drive should be oriented, or air flow directed, so that the least amount of air flow resistance is created while providing air flow to the electronics and HDA. Also, the shortest possible path between the air inlet and exit should be chosen to minimize the travel length of air heated by the drive and other heat sources within the rack, cabinet, or drawer environment.

If forced air is determined to be necessary, possible air-flow patterns are shown in Figure 7, page 27. The air-flow patterns are created by one or more fans, either forcing or drawing air as shown in the illustrations. Conduction, convection, or other forced air-flow patterns are acceptable as long as the temperature measurement guidelines of Section 3.9.1 are met.

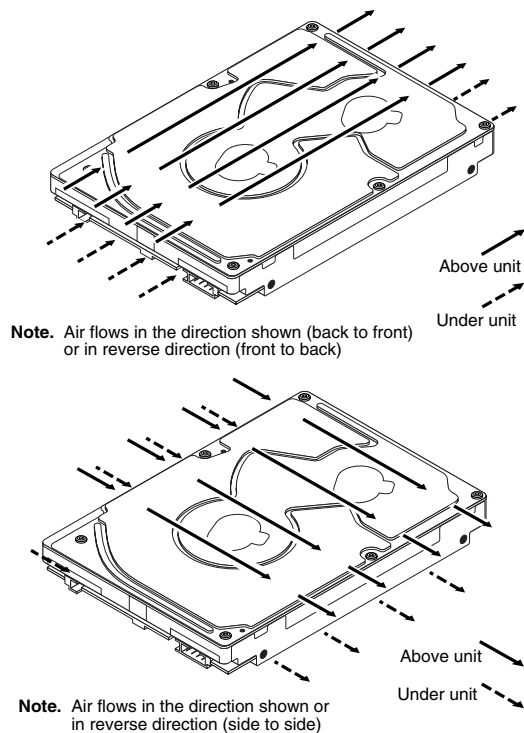


Figure 7. Air flow

5.0 About FIPS

The Federal Information Processing Standard (FIPS) Publication 140-2, FIPS PUB 140-2, is a U.S. government computer security standard used to accredit cryptographic modules. It is titled “Security Requirements for Cryptographic Modules”. The initial publication was on May 25, 2001 and was last updated December 3, 2002.

Purpose

The National Institute of Standards and Technology (NIST) issued the FIPS 140 Publication Series to coordinate the requirements and standards for cryptography modules that include both hardware and software components.

Federal Information Processing Standard (FIPS) 140-2 Level 2 Certification requires drives to go through government agencies certifications to add requirements for physical tamper-evidence and role-based authentication.

Level 2 security

Level 2 improves upon the physical security mechanisms of a Level 1 (lowest level of security) cryptographic module by requiring features that show evidence of tampering, including tamper-evident coatings or seals that must be broken to attain physical access to the plaintext cryptographic keys and critical security parameters (CSPs) within the module, or pick-resistant locks on covers or doors to protect against unauthorized physical access.



Figure 8. Example of FIPS tamper evidence labels.

Note. Does not represent actual drive.

6.0 About self-encrypting drives

Self-encrypting drives (SEDs) offer encryption and security services for the protection of stored data, commonly known as “protection of data at rest.” These drives are compliant with the Trusted Computing Group (TCG) Enterprise Storage Specifications as detailed in Section 3.16.

The Trusted Computing Group (TCG) is an organization sponsored and operated by companies in the computer, storage and digital communications industry. Seagate’s SED models comply with the standards published by the TCG.

To use the security features in the drive, the host must be capable of constructing and issuing the following two commands:

- Security Protocol Out
- Security Protocol In

These commands are used to convey the TCG protocol to and from the drive in their command payloads.

6.1 Data encryption

Encrypting drives use one inline encryption engine for each port, employing AES-256 data encryption in Cipher Block Chaining (CBC) mode to encrypt all data prior to being written on the media and to decrypt all data as it is read from the media. The encryption engines are always in operation, cannot be disabled, and do not detract in any way from the performance of the drive.

The 32-byte Data Encryption Key (DEK) is a random number which is generated by the drive, never leaves the drive, and is inaccessible to the host system. The DEK is itself encrypted when it is stored on the media and when it is in volatile temporary storage (DRAM) external to the encryption engine. A unique data encryption key is used for each of the drive's possible 16 data bands (see Section 6.5).

6.2 Controlled access

The drive has two security partitions (SPs) called the "Admin SP" and the "Locking SP." These act as gatekeepers to the drive security services. Security-related commands will not be accepted unless they also supply the correct credentials to prove the requester is authorized to perform the command.

6.2.1 Admin SP

The Admin SP allows the drive's owner to enable or disable firmware download operations (see Section 6.4). Access to the Admin SP is available using the SID (Secure ID) password or the MSID (Makers Secure ID) password.

6.2.2 Locking SP

The Locking SP controls read/write access to the media and the cryptographic erase feature. Access to the Locking SP is available using the BandMasterX or EraseMaster passwords. Since the drive owner can define up to 16 data bands on the drive, each data band has its own password called BandMasterX where X is the number of the data band (0 through 15).

6.2.3 Default password

When the drive is shipped from the factory, all passwords are set to the value of MSID. This 32-byte random value is printed on the drive label and it can be read by the host electronically over the I/O. After receipt of the drive, it is the responsibility of the owner to use the default MSID password as the authority to change all other passwords to unique owner-specified values.

6.3 Random number generator (RNG)

The drive has a 32-byte hardware RNG that it uses to derive encryption keys or, if requested to do so, to provide random numbers to the host for system use, including using these numbers as Authentication Keys (passwords) for the drive's Admin and Locking SPs.

6.4 Drive locking

In addition to changing the passwords, as described in Section 6.2.3, the owner should also set the data access controls for the individual bands.

The variable "LockOnReset" should be set to "PowerCycle" to ensure that the data bands will be locked if power is lost. This scenario occurs if the drive is removed from its cabinet. The drive will not honor any data read or write requests until the bands have been unlocked. This prevents the user data from being accessed without the appropriate credentials when the drive has been removed from its cabinet and installed in another system.

When the drive is shipped from the factory, the firmware download port is unlocked.

6.5 Data bands

When shipped from the factory, the drive is configured with a single data band called Band 0 (also known as the Global Data Band) which comprises LBA 0 through LBA max. The host may allocate Band1 by specifying a start LBA and an LBA range. The real estate for this band is taken from the Global Band. An additional 14 Data Bands may be defined in a similar way (Band2 through Band15) but before these bands can be allocated LBA space, they must first be individually enabled using the EraseMaster password.

Data bands cannot overlap but they can be sequential with one band ending at LBA (x) and the next beginning at LBA (x+1).

Each data band has its own drive-generated encryption key and its own user-supplied password. The host may change the Encryption Key (see Section 6.6) or the password when required. The bands should be aligned to 4K LBA boundaries.

6.6 Cryptographic erase

A significant feature of SEDs is the ability to perform a cryptographic erase. This involves the host telling the drive to change the data encryption key for a particular band. Once changed, the data is no longer recoverable since it was written with one key and will be read using a different key. Since the drive overwrites the old key with the new one, and keeps no history of key changes, the user data can never be recovered. This is tantamount to an instantaneous data erase and is very useful if the drive is to be scrapped or redispositioned.

6.7 Authenticated firmware download

In addition to providing a locking mechanism to prevent unwanted firmware download attempts, the drive also only accepts download files which have been cryptographically signed by the appropriate Seagate Design Center.

Three conditions must be met before the drive will allow the download operation:

1. The download must be an SED file. A standard (base) drive (non-SED) file will be rejected.
2. The download file must be signed and authenticated.
3. As with a non-SED drive, the download file must pass the acceptance criteria for the drive. For example it must be applicable to the correct drive model, and have compatible revision and customer status.

6.8 Power requirements

The standard drive models and the SED drive models have identical hardware, however the security and encryption portion of the drive controller ASIC is enabled and functional in the SED models. This represents a small additional drain on the 5V supply of about 30mA and a commensurate increase of about 150mW in power consumption. There is no additional drain on the 12V supply. See the tables in Section 3.8 for power requirements on the standard (non-SED) drive models.

6.9 Supported commands

The SED models support the following two commands in addition to the commands supported by the standard (non-SED) models as listed in Table 6:

- Security Protocol Out (B5h)
- Security Protocol In (A2h)

6.10 RevertSP

The SED models will support RevertSP feature where it erases all data in all bands on the device and returns the contents of all SPs (Security Providers) on the device to their Original Factory State.

6.11 ATA Security Erase Unit Command on SED drives

The ATA SECURITY ERASE UNIT command shall support both the Normal and Enhanced erase modes with the following modifications/additions:

- Normal Erase: Normal erase shall be accomplished by changing the media encryption key for the drive followed by an overwrite operation that repeatedly writes a single sector containing random data to the entire drive. The write operation shall bypass the media encryption. On reading back the overwritten sectors, the host will receive a decrypted version, using the new encryption key, of the random data sector (the returned data will not match what was written).
- Enhanced Erase: Enhanced erase shall be accomplished by changing the media encryption key for the drive.

6.12 Sanitize Feature Set on SED Drives

The drive shall support the Sanitize Feature Set as defined in ANSI/INCITS ACS-2 with the exceptions and/or modifications described in this section.

The drive shall not support the OVERWRITE EXT and BLOCK ERASE EXT sub-commands.

Support of the SANITIZE FREEZE LOCK EXT command shall be determined on a customer-specific basis. OEM drives shall support the command.

7.0 Serial ATA (SATA) interface

These drives use the industry-standard Serial ATA interface that supports FIS data transfers. It supports ATA programmed input/output (PIO) modes 0–4; multiword DMA modes 0–2, and Ultra DMA modes 0–6.

For detailed information about the Serial ATA interface, refer to the “Serial ATA: High Speed Serialized AT Attachment” specification.

7.1 Hot-Plug compatibility

Constellation.2 Serial ATA drives incorporate connectors which enable you to hot plug these drives in accordance with the Serial ATA II: Extension to Serial ATA 1.0a specification. This specification can be downloaded from www.serialata.org.

Caution:

The drive motor must come to a complete stop (**Ready to spindle stop time indicated in Section 3.7**) prior to changing the plane of operation. This time is required to insure data integrity.

7.2 Serial ATA device plug connector pin definitions

Table 5 summarizes the signals on the Serial ATA interface and power connectors.

Table 5: Serial ATA connector pin definitions

Segment	Pin	Function	Definition
Signal	S1	Ground	2nd mate
	S2	A+	Differential signal pair A from Phy
	S3	A-	
	S4	Ground	2nd mate
	S5	B-	Differential signal pair B from Phy
	S6	B+	
	S7	Ground	2nd mate

Key and spacing separate signal and power segments

Power	P1	V_{33}	3.3V power
	P2	V_{33}	3.3V power
	P3	V_{33}	3.3V power, pre-charge, 2nd mate
	P4	Ground	1st mate
	P5	Ground	2nd mate
	P6	Ground	2nd mate
	P7	V_5	5V power, pre-charge, 2nd mate
	P8	V_5	5V power
	P9	V_5	5V power
	P10	Ground	2nd mate
	P11	Ground or LED signal	If grounded, drive does not use deferred spin
	P12	Ground	1st mate.
	P13	V_{12}	12V power, pre-charge, 2nd mate
	P14	V_{12}	12V power
	P15	V_{12}	12V power

Notes:

- All pins are in a single row, with a 1.27 mm (0.050") pitch.
- The comments on the mating sequence apply to the case of backplane blindmate connector only. In this case, the mating sequences are:
 - the ground pins P4 and P12.
 - the pre-charge power pins and the other ground pins.
 - the signal pins and the rest of the power pins.
- There are three power pins for each voltage. One pin from each voltage is used for pre-charge when installed in a blind-mate backplane configuration.
- All used voltage pins (V_x) must be terminated.

7.3 Supported ATA commands

The following table lists Serial ATA standard commands that the drive supports. For a detailed description of the ATA commands, refer to the Serial ATA: High Speed Serialized AT Attachment specification. See “S.M.A.R.T. commands” on page 41 for details and subcommands used in the S.M.A.R.T. implementation.

Table 6: Supported ATA commands

Command name	Command code (in hex)
Check Power Mode	E5 _H
Device Configuration Freeze Lock	B1 _H / C1 _H
Device Configuration Identify	B1 _H / C2 _H
Device Configuration Restore	B1 _H / C0 _H
Device Configuration Set	B1 _H / C3 _H
Device Reset	08 _H
Download Microcode	92 _H
Execute Device Diagnostics	90 _H
Flush Cache	E7 _H
Flush Cache Extended	EA _H
Format Track	50 _H
Identify Device	EC _H
Idle	E3 _H
Idle Immediate	E1 _H
Initialize Device Parameters	91 _H
Read Buffer	E4 _H
Read DMA	C8 _H
Read DMA Extended	25 _H
Read DMA Without Retries	C9 _H
Read Log Ext	2F _H
Read Multiple	C4 _H
Read Multiple Extended	29 _H
Read Native Max Address	F8 _H
Read Native Max Address Extended	27 _H
Read Sectors	20 _H
Read Sectors Extended	24 _H
Read Sectors Without Retries	21 _H
Read Verify Sectors	40 _H
Read Verify Sectors Extended	42 _H
Read Verify Sectors Without Retries	41 _H
Recalibrate	10 _H
Sanitize Device - Status Ext	B4 _H / 0000 _H
Sanitize Device - Crypto Scramble Ext	B4 _H / 0011 _H
Sanitize Device - Freeze Lock Ext	B4 _H / 0020 _H

Command name	Command code (in hex)
Security Disable Password	F6 _H
Security Erase Prepare	F3 _H
Security Erase Unit	F4 _H
Security Freeze	F5 _H
Security Set Password	F1 _H
Security Unlock	F2 _H
Seek	70 _H
Set Features	EF _H
Set Max Address Note: Individual Set Max Address commands are identified by the value placed in the Set Max Features register as defined to the right.	F9 _H Address: 00 _H Password: 01 _H Lock: 02 _H Unlock: 03 _H Freeze Lock: 04 _H
Set Max Address Extended	37 _H
Set Multiple Mode	C6 _H
Sleep	E6 _H
S.M.A.R.T. Disable Operations	B0 _H / D9 _H
S.M.A.R.T. Enable/Disable Autosave	B0 _H / D2 _H
S.M.A.R.T. Enable Operations	B0 _H / D8 _H
S.M.A.R.T. Execute Offline	B0 _H / D4 _H
S.M.A.R.T. Read Attribute Thresholds	B0 _H / D1 _H
S.M.A.R.T. Read Data	B0 _H / D0 _H
S.M.A.R.T. Read Log Sector	B0 _H / D5 _H
S.M.A.R.T. Return Status	B0 _H / DA _H
S.M.A.R.T. Save Attribute Values	B0 _H / D3 _H
S.M.A.R.T. Write Log Sector	B0 _H / D6 _H
Standby	E2 _H
Standby Immediate	E0 _H
Write Buffer	E8 _H
Write DMA	CA _H
Write DMA Extended	35 _H
Write DMA FUA Extended	CD _H
Write DMA Without Retries	CB _H
Write Log Extended	3F _H
Write Multiple	C5 _H
Write Multiple Extended	39 _H
Write Multiple FUA Extended	CE _H
Write Sectors	30 _H
Write Sectors Without Retries	31 _H
Write Sectors Extended	34 _H

7.3.1 Identify Device command

The Identify Device command (command code EC_H) transfers information about the drive to the host following power up. The data is organized as a single 512-byte block of data, whose contents are shown in Table 6 on page 34. All reserved bits or words should be set to zero. Parameters listed with an “x” are drive-specific or vary with the state of the drive. See Section 3.0 on page 5 for default parameter settings.

The following commands contain drive-specific features that may not be included in the Serial ATA specification.

Word	Description	Value
0	Configuration information: <ul style="list-style-type: none"> • Bit 15: 0 = ATA; 1 = ATAPI • Bit 7: removable media • Bit 6: removable controller • Bit 0: reserved 	0C5A _H
1	Number of logical cylinders	16,383
2	ATA-reserved	0000 _H
3	Number of logical heads	16
4	Retired	0000 _H
5	Retired	0000 _H
6	Number of logical sectors per logical track: 63	003F _H
7–9	Retired	0000 _H
10–19	Serial number: (20 ASCII characters, 0000 _H = none)	ASCII
20	Retired	0000 _H
21	Retired	0400 _H
22	Obsolete	0000 _H
23–26	Firmware revision (8 ASCII character string, padded with blanks to end of string)	x.xx
27–46	Drive model number: (40 ASCII characters, padded with blanks to end of string)	
47	(Bits 7–0) Maximum sectors per interrupt on Read multiple and Write multiple (16)	8010 _H
48	Reserved	0000 _H
49	Standard Standby timer, IORDY supported and may be disabled	2F00 _H
50	ATA-reserved	0000 _H
51	PIO data-transfer cycle timing mode	0200 _H
52	Retired	0200 _H
53	Words 54–58, 64–70 and 88 are valid	0007 _H
54	Number of current logical cylinders	xxxx _H
55	Number of current logical heads	xxxx _H
56	Number of current logical sectors per logical track	xxxx _H
57–58	Current capacity in sectors	xxxx _H
59	Number of sectors transferred during a Read Multiple or Write Multiple command	xxxx _H

Word	Description	Value
60–61	Total number of user-addressable LBA sectors available (see Section 3.2 for related information) *Note: The maximum value allowed in this field is: 0FFFFFFFh (268,435,455 sectors, 137 Gbytes). Drives with capacities over 137 Gbytes will have 0FFFFFFFh in this field and the actual number of user-addressable LBAs specified in words 100-103. This is required for drives that support the 48-bit addressing feature.	0FFFFFFFh*
62	Retired	0000 _H
63	Multiword DMA active and modes supported (see note following this table)	xx07 _H
64	Advanced PIO modes supported (modes 3 and 4 supported)	0003 _H
65	Minimum multiword DMA transfer cycle time per word (120 nsec)	0078 _H
66	Recommended multiword DMA transfer cycle time per word (120 nsec)	0078 _H
67	Minimum PIO cycle time without IORDY flow control (240 nsec)	00F0 _H
68	Minimum PIO cycle time with IORDY flow control (120 nsec)	0078 _H
69–74	ATA-reserved	0000 _H
75	Queue depth	0000 _H
76	Serial ATA capabilities	xxxx _H
77	Reserved for future Serial ATA definition	xxxx _H
78	Serial ATA features supported	xxxx _H
79	Serial ATA features enabled	xxxx _H
80	Major version number	003E _H
81	Minor version number	0000 _H
82	Command sets supported	364B _H
83	Command sets supported	7C03 _H
84	Command sets support extension (see note following this table)	4003 _H See Word 108-111 note. (4003H = 0100000000000011 binary)
85	Command sets enabled	30xx _H
86	Command sets enabled	0001 _H
87	Command sets enable extension	4000 _H
88	Ultra DMA support and current mode (see note following this table)	xx3F _H
89	Security erase time	0000 _H
90	Enhanced security erase time	0000 _H
92	Master password revision code	FFFE _H
93	Hardware reset value	xxxx _H
95–99	ATA-reserved	0000 _H
100–103	Total number of user-addressable LBA sectors available (see Section 3.2 for related information). These words are required for drives that support the 48-bit addressing feature. Maximum value: 0000FFFFFFFFFh.	1000GB models = 1,953,525,168 500GB models = 976,773,168 250GB models = 488,397,168
104–107	ATA-reserved	0000 _H

Word	Description	Value
108–111	The mandatory value of the world wide name (WWN) for the drive. NOTE: This field is valid if word 84, bit 8 is set to 1 indicating 64-bit WWN support.	Each drive will have a unique value.
112–127	ATA-reserved	0000 _H
128	Security status	0001 _H
129–159	Seagate-reserved	xxxx _H
160–254	ATA-reserved	0000 _H
255	Integrity word	xxA5 _H

Note. See the bit descriptions below for words 63, 84, and 88 of the Identify Drive data.

Description (if bit is set to 1)	
Bit	Word 63
0	Multiword DMA mode 0 is supported.
1	Multiword DMA mode 1 is supported.
2	Multiword DMA mode 2 is supported.
8	Multiword DMA mode 0 is currently active.
9	Multiword DMA mode 1 is currently active.
10	Multiword DMA mode 2 is currently active.
Bit	Word 84
0	SMART error loggin is supported.
1	SMART self-test is supported.
2	Media serial number is supported.
3	Media Card Pass Through Command feature set is supported.
4	Streaming feature set is supported.
5	GPL feature set is supported.
6	WRITE DMA FUA EXT and WRITE MULTIPLE FUA EXT commands are supported.
7	WRITE DMA QUEUED FUA EXT command is supported.
8	64-bit World Wide Name is supported.
9-10	Obsolete.
11-12	Reserved for TLC.
13	IDLE IMMEDIATE command with IUNLOAD faeture is supported.
14	Shall be set to 1.
15	Shall be cleared to 0.

	Bit	Word 88
	0	Ultra DMA mode 0 is supported.
	1	Ultra DMA mode 1 is supported.
	2	Ultra DMA mode 2 is supported.
	3	Ultra DMA mode 3 is supported.
	4	Ultra DMA mode 4 is supported.
	5	Ultra DMA mode 5 is supported.
	6	Ultra DMA mode 6 is supported.
	8	Ultra DMA mode 0 is currently active.
	9	Ultra DMA mode 1 is currently active.
	10	Ultra DMA mode 2 is currently active.
	11	Ultra DMA mode 3 is currently active.
	12	Ultra DMA mode 4 is currently active.
	13	Ultra DMA mode 5 is currently active.
	14	Ultra DMA mode 6 is currently active.

7.3.2 Set Features command

This command controls the implementation of various features that the drive supports. When the drive receives this command, it sets BSY, checks the contents of the Features register, clears BSY and generates an interrupt. If the value in the register does not represent a feature that the drive supports, the command is aborted. Power-on default has the read look-ahead and write caching features enabled. The acceptable values for the Features register are defined as follows:

Table 7: Set Features command values

02 _H	Enable write cache (<i>default</i>).
03 _H	Set transfer mode (based on value in Sector Count register). Sector Count register values:
00 _H	Set PIO mode to default (PIO mode 2).
01 _H	Set PIO mode to default and disable IORDY (PIO mode 2).
08 _H	PIO mode 0
09 _H	PIO mode 1
0A _H	PIO mode 2
0B _H	PIO mode 3
0C _H	PIO mode 4 (<i>default</i>)
20 _H	Multiword DMA mode 0
21 _H	Multiword DMA mode 1
22 _H	Multiword DMA mode 2
40 _H	Ultra DMA mode 0
41 _H	Ultra DMA mode 1
42 _H	Ultra DMA mode 2
43 _H	Ultra DMA mode 3
44 _H	Ultra DMA mode 4
45 _H	Ultra DMA mode 5
46 _H	Ultra DMA mode 6
10 _H	Enable use of SATA features
55 _H	Disable read look-ahead (read cache) feature.
82 _H	Disable write cache
90 _H	Disable use of SATA features
AA _H	Enable read look-ahead (read cache) feature (<i>default</i>).
F1 _H	Report full capacity available

Note. At power-on, or after a hardware or software reset, the default values of the features are as indicated above.

7.3.3 S.M.A.R.T. commands

S.M.A.R.T. provides near-term failure prediction for disc drives. When S.M.A.R.T. is enabled, the drive monitors predetermined drive attributes that are susceptible to degradation over time. If self-monitoring determines that a failure is likely, S.M.A.R.T. makes a status report available to the host. Not all failures are predictable. S.M.A.R.T. predictability is limited to the attributes the drive can monitor. For more information on S.M.A.R.T. commands and implementation, see the *Draft ATA-5 Standard*.

SeaTools diagnostic software activates a built-in drive self-test (DST S.M.A.R.T. command for D4_H) that eliminates unnecessary drive returns. The diagnostic software ships with all new drives and is also available at: <http://seatools.seagate.com>.

This drive is shipped with S.M.A.R.T. features disabled. You must have a recent BIOS or software package that supports S.M.A.R.T. to enable this feature. The table below shows the S.M.A.R.T. command codes that the drive uses.

Table 8: S.M.A.R.T. commands

Code in features register	S.M.A.R.T. command
D0 _H	S.M.A.R.T. Read Data
D2 _H	S.M.A.R.T. Enable/Disable Attribute Autosave
D3 _H	S.M.A.R.T. Save Attribute Values
D4 _H	S.M.A.R.T. Execute Off-line Immediate (runs DST)
D5 _H	S.M.A.R.T. Read Log Sector
D6 _H	S.M.A.R.T. Write Log Sector
D8 _H	S.M.A.R.T. Enable Operations
D9 _H	S.M.A.R.T. Disable Operations
DA _H	S.M.A.R.T. Return Status

Note. If an appropriate code is not written to the Features Register, the command is aborted and 0x04 (abort) is written to the Error register.

Index

A

- ACA 21
- acceleration 18
- acoustics 19
- Active 15
- Active mode 15
- Admin SP 29
- AES-128 data encryption 29
- Agency certification 20
- altitude 18
- ambient 17
- ambient temperature 8, 9
- Annualized Failure Rate (AFR) 20
- areal density 3, 8
- ATA commands 34
- Australia/New Zealand Standard AS/NZ CISPR22 21
- Australian Communication Authority (ACA) 21
- Australian C-Tick 21
- Average latency 8
- Average seek time 8

B

- Band 0 30
- BandMasterX 30
- BPI 8
- buffer 8

C

- cables and connectors 25
- cache 8
- capacity 7
- CBC 29
- CE mark 20
- certification 20
- Check Power Mode 34
- China RoHS directive 22
- Cipher Block Chaining 29
- Class B computing device 21
- compatibility 20
- Conducted noise 14
- Conducted RF immunity 19
- Configuring the drive 24
- connectors 25
- Corrosive environment 22
- Cryptographic erase 30
- Cylinders 7

D

- Data Bands 30
- data bands 29

- Data encryption 29
- Data Encryption Key 29
- data-transfer rates 3
- DC power 9
- decrypt 29
- Default logical geometry 7
- default MSID password 30
- DEK 29
- density 8
- Device Configuration Freeze Lock 34
- Device Configuration Identify 34
- Device Configuration Restore 34
- Device Configuration Set 34
- Device Reset 34
- dimensions 8, 26
- Download Microcode 34
- Drive Locking 30
- drive mounting 26

E

- Electrical fast transient 19
- Electromagnetic compatibility 20
- Electromagnetic Compatibility (EMC) 21
- Electromagnetic Compatibility control Regulation 21
- Electromagnetic Compatibility Directive (2004/108/EC) 20
- Electromagnetic immunity 19
- Electrostatic discharge 19
- electrostatic discharge (ESD) 24
- EN 55022, Class B 20
- EN 55024 20
- encryption engine 29
- encryption key 30
- Enhanced Erase 31
- environmental
 - limits 17
- EraseMaster 30
- error-correction algorithms 3
- errors 20
- ESD 24
- EU 20
- EU RoHS directive 22
- European Union (EU) requirements 20
- Execute Device Diagnostics 34

F

- FCC verification 21
- features 3
- Federal Communications Commission 21
- Federal Information Processing Standard 28
- FIPS 28
- firmware download port 30
- Flush Cache 34
- Flush Cache Extended 34

Format Track 34
Formatted capacity 7

G

geometry 7
Global Data Band 30
gradient 17
Gs 18
guaranteed sectors 7

H

Handling precautions 24
heads 7
humidity 17
humidity limits 17

I

I/O data-transfer rate 8
Identify Device 34
Identify Device command 36
Idle 15, 34
Idle Immediate 34
Idle mode 15
Information Technology Equipment (ITE) 20
Initialize Device Parameters 34
input voltage 9
interface 8, 32
internal data-transfer rate OD 8
is 8
ISO document 7779 19
ITE 20

K

KCC 21
Korean Communications Commission 21
Korean RRL 21

L

latency 8
LBA mode 7
Locking SP 29, 30
LockOnReset 30
logical geometry 7

M

maintenance 20
Makers Secure ID 29
master/slave 4
mounting 25
mounting configuration 8, 26
mounting screws 18
mounting the drive 24

MSID 29, 30

N

National Institute of Standards and Technology 28
NIST 28
noise 14
nominal power 8
non-operating
 temperature 17
Nonoperating shock 18
Nonoperating vibration 18
Nonrecoverable read errors 20
Normal Erase 31

O

Operating shock 18
Operating vibration 18

P

password 29, 30
passwords 30
Physical characteristics 8
point-to-point 4, 25
Power consumption 9
Power modes 15
Power specifications 9
PowerCycle 30
Power-management modes 15
Power-on to Ready 9
precautions 24
printed circuit board 24
product warranty 23
programmable power management 15
protection of data at rest 29

Q

quick reference 5

R

Radiated RF immunity 19
Radio and television interference 21
radio frequency (RF) 19
Random number generator 30
Read Buffer 34
Read DMA 34
Read DMA Extended 34
Read DMA without Retries 34
read errors 20
Read Log Ext 34
Read Multiple 34
Read Multiple Extended 34
Read Native Max Address 34
Read Native Max Address Extended 34

- Read Sectors 34
- Read Sectors Extended 34
- Read Sectors Without Retries 34
- Read Verify Sectors 34
- Read Verify Sectors Extended 34
- Read Verify Sectors Without Retries 34
- Read/write heads 7
- Recalibrate 34
- recording density 8
- recording method 8
- Recording technology 8
- reference
 - documents 23
- relative humidity 17
- Reliability 20
- RevertSP 31
- RF 19
- RMS read/write current 14
- RNG 30
- RoHS 22
- RRL 21

S

- S.M.A.R.T. Disable Operations 35
- S.M.A.R.T. Enable Operations 35
- S.M.A.R.T. Enable/Disable Autosave 35
- S.M.A.R.T. Execute Offline 35
- S.M.A.R.T. implementation 34
- S.M.A.R.T. Read Attribute Thresholds 35
- S.M.A.R.T. Read Data 35
- S.M.A.R.T. Read Log Sector 35
- S.M.A.R.T. Return Status 35
- S.M.A.R.T. Save Attribute Values 35
- S.M.A.R.T. Write Log sector 35
- Safety certification 20
- Sanitize Device 34
- sanitize feature set 31
- SATA 32
- screws 18
- sectors 7
- Sectors per track 7
- Secure ID 29
- Security Disable Password 35
- Security Erase Prepare 35
- Security Erase Unit 35
- security erase unit command 31
- Security Freeze 35
- security partitions 29
- Security Protocol In 29, 31
- Security Protocol Out 29, 31
- Security Set Password 35
- Security Unlock 35
- Seek 35
- Seek time 8
- self-encrypting drives 29

- Serial ATA (SATA) interface 32
- serial ATA ports 4
- Set Features 35
- Set Max Address 35
- Set Max Address Extended 35
- Set Multiple Mode 35
- shipping container 17
- Shock 18
- SID 29
- single-track seeks 8
- Sleep 15, 35
- Sleep mode 15
- sound 19
- Specification summary table 5
- spindle speed 8
- Spinup power 9
- Standby 15, 35
- Standby Immediate 35
- Standby mode 9, 15
- standby timer 15
- Standby to Ready 9
- Start/stop times 9
- static-discharge 24
- support services 1
- Surge immunity 19

T

- TCG 29
- technical support services 1
- temperature 8, 17
 - limits 17
 - non-operating 17
- timer 15
- timers 15
- track density 8
- Track-to-track 8
- Track-to-track seek time 8
- Trusted Computing Group 29

V

- Vibration 18
- voltage 9
- Voltage dips, interrupts 19
- Voltage tolerance 14

W

- weight 8, 26
- wet bulb temperature 18
- Write Buffer 35
- Write DMA 35
- Write DMA Extended 35
- Write DMA FUA Extended 35
- Write DMA Without Retries 35
- Write Log Extended 35

Write Multiple 35
Write Multiple Extended 35
Write Multiple FUA Extended 35
Write Sectors 35
Write Sectors Extended 35
Write Sectors Without Retries 35



Seagate Technology LLC
920 Disc Drive, Scotts Valley, California 95066-4544, USA
Publication Number: 100545983, Rev. E