



# Product Manual

## **Momentum 5400.2**

ST9120821A

ST9100824A

ST98823A

ST96812A

ST94813A

ST93811A







# Product Manual

## **Momentum 5400.2**

ST9120821A

ST9100824A

ST98823A

ST96812A

ST94813A

ST93811A



©2005 Seagate Technology LLC All rights reserved  
Publication number: 100367120, Rev. A  
June 2005

Seagate and Seagate Technology are registered trademarks of Seagate Technology LLC. SeaBOARD, SeaFONE, SeaTDD, SeaTools, and the Wave logo are either registered trademarks or trademarks of Seagate Technology LLC. Other product names are registered trademarks or trademarks of their owners.

Seagate reserves the right to change, without notice, product offerings or specifications. No part of this publication may be reproduced in any form without written permission of Seagate Technology LLC.

## Revision status summary sheet

Revision	Date	Sheets Affected
Rev. A	06/07/05	All.



# Contents

<b>1.0</b>	<b>Introduction</b>	<b>1</b>
<b>2.0</b>	<b>Drive specifications</b>	<b>3</b>
2.1	Specification summary	3
2.2	Formatted capacity	5
2.3	Default logical geometry	5
2.4	Physical organization	5
2.5	Recording and interface technology	6
2.6	Physical characteristics	6
2.7	Seek time	7
2.8	Time to ready	7
2.9	Power specifications	8
2.9.1	Power consumption	8
2.9.2	Conducted noise	9
2.9.3	Voltage tolerance	9
2.9.4	Power-management modes	10
2.10	Environmental specifications	11
2.10.1	Ambient temperature	11
2.10.2	Temperature gradient	11
2.10.3	Humidity	11
2.10.4	Altitude	11
2.10.5	Shock	12
2.10.6	Vibration	12
2.11	Acoustics	13
2.12	Electromagnetic immunity	13
2.13	Reliability	14
2.14	Agency certification	14
2.14.1	Safety certification	14
2.14.2	Electromagnetic compatibility	14
2.14.3	FCC verification	15
2.15	Environmental protection	16
2.16	Corrosive environment	16
<b>3.0</b>	<b>Configuring and mounting the drive</b>	<b>17</b>
3.1	Handling and static discharge precautions	17
3.2	Jumper settings	18
3.2.1	Master/slave configuration	18
3.2.2	Cable-select option	18
3.3	Drive mounting	19
<b>4.0</b>	<b>ATA interface</b>	<b>21</b>
4.1	ATA interface signals and connector pins	21
4.1.1	Supported ATA commands	22
4.1.2	Identify Device command	25
4.1.3	Set Features command	28
<b>5.0</b>	<b>Compatibility summary</b>	<b>29</b>
5.1	Installation considerations	29
5.2	BIOS versions tested	31
5.3	Operating system versions tested	32
5.4	Compatibility test configurations	32
5.5	Software utilities	32
5.6	Other certification	32
<b>6.0</b>	<b>Seagate Technology support services</b>	<b>33</b>





## List of Figures

Figure 1.	Momentum 5400.2 PATA disc drive . . . . .	1
Figure 2.	Typical 5V startup and operation current profile . . . . .	9
Figure 3.	Jumper settings . . . . .	18
Figure 4.	Mounting dimensions—top, side and end view . . . . .	19



## 1.0 Introduction

---

This manual describes the functional, mechanical and interface specifications for the following Seagate® Momentus®5400.2 drives:

- ST9120821A
- ST9100824A
- ST98823A
- ST96812A
- ST94813A
- ST93811A

These drives provide the following key features:

- 5,400-RPM spindle speed and 8-Mbyte buffer combine for superior performance.
- Quiet operation. Fluid Dynamic Bearing (FDB) motor.
- High instantaneous (burst) data transfer rates (up to 100 Mbytes per second) using Ultra DMA mode 5.
- Giant magnetoresistive (GMR) recording heads and EPRML technology, which provide the drives with increased areal density.
- State-of-the-art cache and on-the-fly error-correction algorithms.
- Full-track multiple-sector transfer capability without local processor intervention.
- 800 Gs nonoperating shock and 250 Gs operating shock.
- SeaTools™ diagnostic software performs a drive self-test that eliminates unnecessary drive returns.
- The 3D Defense System™, which includes Drive Defense, Data Defense, and Diagnostic Defense, offers the industry's most comprehensive protection for disc drives.
- Support for S.M.A.R.T. drive monitoring and reporting.
- Support for Read Multiple and Write Multiple commands.
- Support for autodetection of master/slave drives that use cable select (CSEL).



**Figure 1. Momentus 5400.2 PATA disc drive**



## 2.0 Drive specifications

Unless otherwise noted, all specifications are measured under ambient conditions, at 25°C, and nominal power. For convenience, the phrases *the drive* and *this drive* are used throughout this manual to indicate ST9120821A, ST9100824A, ST98823A, ST96812A, ST94813A and ST93811A model drives.

### 2.1 Specification summary

The specifications listed in this table are for quick reference. For details on specification measurement or definition, see the appropriate section of this manual.

**Table 1: Specifications**

Drive specification	ST9120821A	ST9100824A	ST98823A	ST96812A	ST94813A	ST93811A
Formatted Gbytes (512 bytes/sector)	120	100	80	60	40	30
Guaranteed sectors	234,441,648	195,371,568	156,301,488	117,210,240	78,140,160	58,605,120
Bytes per sector	512					
Physical read/write heads	4	4	3	2	2	1
Discs	2	2	2	1	1	1
Cache (Mbytes)	8					
Recording density, BPI (bits/inch typical)	778k					
Track density, TPI (tracks/inch typical)	126k					
Areal density (Gbits/inch <sup>2</sup> max)	98.2					
Spindle speed (RPM)	5,400					
Internal data transfer rate OD (Mbytes/sec max)	42					
I/O data-transfer rate (Mbytes/sec max)	100					
ATA data-transfer modes supported	PIO modes 0–4 Multiword DMA modes 0–2 Ultra DMA modes 0–5					
Height	9.5 +/-0.2 mm (0.374 +/-0.008 inches)					
Width	69.85 +/-0.25 mm (2.750 +/-0.010 inches)					
Length	100.2 +/-0.25 mm (3.945 +/-0.010 inches)					
Weight (typical)	100 grams (0.22 lb)					
Average latency (msec)	5.6					
Power-on to ready (sec typical)	3.5					
Standby to ready (sec typical)	3.0					
Startup current 5V (typical)	1.0 amps					
Track-to-track seek time (msec typical)	1.0 (read), 1.5 (write)					

**Table 1: Specifications**

Drive specification	ST9120821A	ST9100824A	ST98823A	ST96812A	ST94813A	ST93811A
Average seek time (msec typical)	12.5					
Average seek, read (msec typical)	12.5					
Average seek, write (msec typical)	14.5					
Full-stroke seek (msec)	22 (typical); 24 (max)					
Seek power (typical)	2.0 watts					
Read/write power (typical)	Read: 1.8 watts; Write: 1.8 watts					
Idle mode (typical, low power)	0.80 watts					
Standby mode	0.26 watts (typical)**					
Sleep mode	0.26 watts (typical)**					
Voltage tolerance (including noise)	5V ± 5%					
Ambient temperature	5° to 55°C (operating), -40° to 70°C (nonoperating)					
Temperature gradient (°C per hour max, noncondensing)	20°C (operating) 30°C (nonoperating)					
Relative humidity (noncondensing)	5% to 90% (operating) 5% to 95% (nonoperating)					
Relative humidity gradient	30% per hour max					
Wet bulb temperature (°C max)	30°C (operating) 40°C (nonoperating)					
Altitude, operating	-304.8 m to 3,048 m (-1000 ft to 10,000 ft)					
Altitude, nonoperating (below mean sea level, max)	-304.8 m to 12,192 m (-1,000 ft to 40,000 ft)					
Shock, operating (Gs max at 2 msec)	250					
Shock, nonoperating (Gs max at 2 msec)	800					
Shock, nonoperating (Gs max at 1 msec)	900					
Shock, nonoperating (Gs max at 0.5 msec)	400					
Vibration, operating (max displacement may apply below 10 hz)	1.0 Gs (0 to peak, 5–500 Hz)					
Vibration, nonoperating (max displacement may apply below 22 hz)	5.0 Gs (0 to peak, 10–500 Hz)					
Drive acoustics, sound power (bels), 2 disc						
Idle*	2.4 (typical) 2.6 (max)					
Performance seek	2.9 (typical) 3.1 (max)					
Nonrecoverable read errors	1 per 10 <sup>14</sup> bits read					
Annualized Failure Rate (AFR)	0.73%					
Load/Unload (U/UL) cycles						
25°C, 50% relative humidity	600,000 software-controlled power on/off cycles 20,000 hard power on/off cycles					
32°C, 80% relative humidity						
5°C, 80% relative humidity	600,000 software-controlled power on/off cycles					
5°C, 10% relative humidity						
55°C, 16% relative humidity	20,000 hard power on/off cycles					

**Table 1: Specifications**

Drive specification	ST9120821A	ST9100824A	ST98823A	ST96812A	ST94813A	ST93811A
Service life	5 years					
Warranty	5 years on distribution units. To determine the warranty for a specific drive, use a web browser to access the following web page: <a href="http://www.seagate.com/support/service/">www.seagate.com/support/service/</a> From this page, click on the "Verify Your Warranty" link. You will be asked to provide the drive serial number, model number (or part number) and country of purchase. The system will display the warranty information for your drive.					

\*During periods of drive idle, some offline activity may occur, according to the S.M.A.R.T. specification, which may increase acoustic and power to operational levels.

\*\*Typical notebooks will pull power to the drive when entering S3 and S4; while in the S3 and S4 states, drive sleep and drive standby modes will not contribute to battery power consumption.

## 2.2 Formatted capacity

Model	Formatted capacity	Guaranteed sectors	Bytes per sector
ST9120821A	120 Gbytes	234,441,648	512
ST9100824A	100 Gbytes	195,371,568	512
ST98823A	80 Gbytes	156,301,488	512
ST96812A	60 Gbytes	117,210,240	512
ST94813A	40 Gbytes	78,140,160	512
ST93811A	30 Gbytes	58,605,120	512

## 2.3 Default logical geometry

Cylinders	Read/write heads	Sectors per track
16,383	16	63

### LBA mode

When addressing these drives in LBA mode, all blocks (sectors) are consecutively numbered from 0 to  $n-1$ , where  $n$  is the number of guaranteed sectors as defined above.

## 2.4 Physical organization

Model	Read/write heads	Number of discs
ST9120821A	4	2
ST9100824A	4	2
ST98823A	3	2
ST96812A	2	1
ST94813A	2	1
ST93811A	1	1

## 2.5 Recording and interface technology

Technology	Specification
Interface	Parallel ATA
Recording method	RLL 0,11
Recording density BPI (bits/inch typical)	778k
Track density TPI (tracks/inch typical)	126k
Areal density (Gbits/inch <sup>2</sup> max)	98.2
Spindle speed (RPM) ( $\pm$ 0.2%)	5,400
Internal data-transfer rate OD (Mbytes/sec max)	42
I/O data-transfer rate (Mbytes/sec max)	100 (Ultra DMA mode 5)
Interleave	1:1
Cache buffer	8 Mbytes (8,192 kbytes)

## 2.6 Physical characteristics

Height	(mm) (inches)	9.5 $\pm$ 0.2 0.374 $\pm$ 0.008
Width	(mm) (inches)	69.85 $\pm$ 0.25 2.750 $\pm$ 0.010
Length	(mm) (inches)	100.2 $\pm$ 0.25 3.945 $\pm$ 0.010
Typical weight	(grams) (pounds)	100 0.22



## 2.7 Seek time

Seek measurements are taken with nominal power at 25°C ambient temperature. All times are measured using drive diagnostics. The specifications below are defined as follows:

- Track-to-track seek time is an average of all possible single-track seeks in both directions.
- Average seek time is a true statistical random average of at least 5,000 measurements of seeks between random tracks, less overhead.

Typical seek times (msec)*	Read	Write
Track-to-track	1.0	1.5
Average	12.5	14.5
Full-stroke	22.0	24.0
Average latency	5.56	5.56

\*Measured in performance mode

**Note.** These drives are designed to consistently meet the seek times represented in this manual. Physical seeks, regardless of mode (such as track-to-track and average), are expected to meet or exceed the noted values. However, due to the manner in which these drives are formatted, benchmark tests that include command overhead or measure logical seeks may produce results that vary from these specifications.

## 2.8 Time to ready

Time to ready	Typical	Max @ 25°C
Power-on to Ready (sec)	3.5	8.0
Standby to Ready (sec)	3.0	8.0

## 2.9 Power specifications

The drive receives DC power (+5V) through the interface connector.

### 2.9.1 Power consumption

Power requirements for the drives are listed in the table on page 8. Typical power measurements are based on an average of drives tested, under nominal conditions, at 25°C ambient temperature.

- **Spinup power**

Spinup power is measured from the time of power-on to the time that the drive spindle reaches operating speed.

- **Seek mode**

During seek mode, the read/write actuator arm moves toward a specific position on the disc surface and does not execute a read or write operation. Servo electronics are active. Seek mode power is measured based on three random seek operations every 100 msec. This mode is not typical.

- **Read/write power and current**

Read/write power is measured with the heads on track, based on three 63 sector read or write operations every 100 msec.

- **Idle mode power\***

Idle mode power is measured with the drive up to speed, with servo electronics active and with the heads in a random track location.

- **Standby mode**

During Standby mode, the drive accepts commands, but the drive is not spinning, and the servo and read/write electronics are in power-down model

**Table 2: DC power**

Power dissipation	+5V average (25° C)
Spinup (typical)	1.0 amps
Seek	2.00 watts
Read	1.80 watts
Write	1.80 watts
Idle, performance mode*	1.70 watts
Idle, active*	0.99 watts
Idle, low power mode*	0.80 watts
Standby	0.26 watts
Sleep	0.26 watts

\*During periods of drive idle, some offline activity may occur according to the S.M.A.R.T. specification, which may increase acoustic and power to operational levels.

### 2.9.1.1 Typical current profile

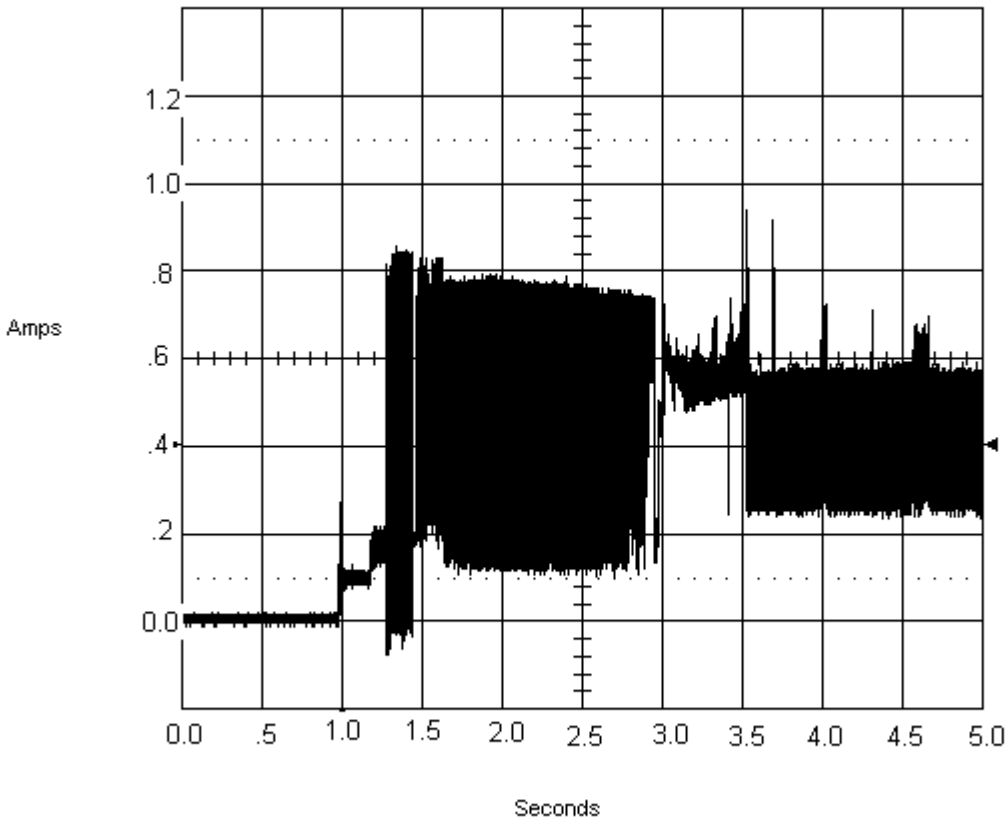


Figure 2. Typical 5V startup and operation current profile

### 2.9.2 Conducted noise

Input noise ripple is measured at the host system power supply across an equivalent 15-ohm resistive load on the +5 volt line.

Using 5-volt power, the drive is expected to operate with a maximum of 100 mV peak-to-peak square-wave injected noise at up to 10 MHz.

**Note.** Equivalent resistance is calculated by dividing the nominal voltage by the typical RMS read/write current.

### 2.9.3 Voltage tolerance

Voltage tolerance (including noise):

5V  $\pm$  5%

## 2.9.4 Power-management modes

The drive provides programmable power management to provide greater energy efficiency. In most systems, you can control power management through the system setup program. The drive features the following power-management modes:

**Table 3: Power management modes**

Power modes	Heads	Spindle	Buffer
Active (operating)	Tracking	Rotating	Full power
Idle, performance	Tracking	Rotating	Self refresh—low power
Idle, active	Floating	Rotating	Self refresh—low power
Idle, low power	Parked	Rotating	Self refresh—low power
Standby	Parked	Stopped	Self refresh—low power
Sleep	Parked	Stopped	Self refresh—low power

- **Active mode**

The drive is in Active mode during the read/write and seek operations.

- **Idle mode**

The buffer remains enabled in performance mode, and the drive accepts all commands and returns to Active mode any time disc access is necessary.

- **Standby mode**

The drive enters Standby mode when the host sends a Standby Immediate command. If the host has set the standby timer, the drive can also enter Standby mode automatically after the drive has been inactive for a specifiable length of time. The standby timer delay is established using a Standby or Idle command. In Standby mode, the drive buffer is in Self Refresh Low Power mode, the heads are parked and the spindle is at rest. The drive accepts all commands and returns to Active mode any time disc access is necessary.

- **Sleep mode**

The drive enters Sleep mode after receiving a Sleep command from the host. In Sleep mode, the drive buffer is in Self Refresh Low Power mode, the heads are parked and the spindle is at rest. The drive leaves Sleep mode after it receives a Hard Reset or Soft Reset from the host. After receiving a reset, the drive exits Sleep mode and enters Standby mode with all current translation parameters intact.

- **Idle and Standby timers**

Each time the drive performs an Active function (read, write or seek), the standby timer is reinitialized and begins counting down from its specified delay times to zero. If the standby timer reaches zero before any drive activity is required, the drive makes a transition to Standby mode. In both Idle and Standby mode, the drive accepts all commands and returns to Active mode when disc access is necessary.

## 2.10 Environmental specifications

### 2.10.1 Ambient temperature

Ambient temperature is defined as the temperature of the environment immediately surrounding the drive. Actual drive case temperature should not exceed 65°C (149°F) within the operating ambient conditions.

Above 1,000 feet (305 meters), the maximum temperature is derated linearly by 1°C every 1000 feet.

Operating	5° to 55°C (41° to 131°F)
Nonoperating	–40° to 70°C (–40° to 158°F)

### 2.10.2 Temperature gradient

Operating	20°C per hour (68°F per hour max), without condensation
Nonoperating	30°C per hour (86°F per hour max), without condensation

### 2.10.3 Humidity

#### 2.10.3.1 Relative humidity

Operating	5% to 90% noncondensing (30% per hour max)
Nonoperating	5% to 95% noncondensing (30% per hour max)

#### 2.10.3.2 Wet bulb temperature

Operating	30°C (86°F max)
Nonoperating	40°C (104°F max)

### 2.10.4 Altitude

Operating	–304.8 m to 3,048 m (–1,000 ft to 10,000 ft)
Nonoperating	–304.8 m to 12,192 m (–1,000 ft to 40,000 ft)

## 2.10.5 Shock

All shock specifications assume that the drive is mounted securely with the input shock applied at the drive mounting screws. Shock may be applied in the X, Y or Z axis.

### 2.10.5.1 Operating shock

These drives comply with the performance levels specified in this document when subjected to a maximum operating shock of 250 Gs based on half-sine shock pulses of 2 msec. Shocks should not be repeated more than two times per second.

### 2.10.5.2 Nonoperating shock

The nonoperating shock level that the drive can experience without incurring physical damage or degradation in performance when subsequently put into operation is 800 Gs based on a nonrepetitive half-sine shock pulse of 2 msec duration.

The nonoperating shock level that the drive can experience without incurring physical damage or degradation in performance when subsequently put into operation is 900 Gs based on a nonrepetitive half-sine shock pulse of 1 msec duration.

The nonoperating shock level that the drive can experience without incurring physical damage or degradation in performance when subsequently put into operation is 400 Gs based on a nonrepetitive half-sine shock pulse of 0.5 msec duration.

## 2.10.6 Vibration

All vibration specifications assume that the drive is mounted securely with the input vibration applied at the drive mounting screws. Vibration may be applied in the X, Y or Z axis.

### 2.10.6.1 Operating vibration

The following table lists the maximum vibration levels that the drive may experience while meeting the performance standards specified in this document.

---

5–500 Hz	1.0 Gs (0 to peak). Max displacement may apply below 10 Hz.
----------	---

---

### 2.10.6.2 Nonoperating vibration

The following table lists the maximum nonoperating vibration that the drive may experience without incurring physical damage or degradation in performance when subsequently put into operation.

---

5–500 Hz	5.0 Gs (0 to peak). Max displacement may apply below 22 Hz.
----------	---

---

## 2.11 Acoustics

Drive acoustics are measured as overall A-weighted acoustic sound power levels (no pure tones). All measurements are consistent with ISO document 7779. Sound power measurements are taken under essentially free-field conditions over a reflecting plane. For all tests, the drive is oriented with the cover facing upward.

**Note.** For seek mode tests, the drive is placed in seek mode only. The number of seeks per second is defined by the following equation:

$$(\text{Number of seeks per second} = 0.4 / (\text{average latency} + \text{average access time}))$$

**Table 4: Drive level acoustics**

Idle*	Performance Seek
2.4 bels (typ) 2.6 bels (max)	2.9 bels (typ) 3.1 bels (max)

\*During periods of drive idle, some offline activity may occur according to the S.M.A.R.T. specification, which may increase acoustic and power to operational levels.

## 2.12 Electromagnetic immunity

When properly installed in a representative host system, the drive operates without errors or degradation in performance when subjected to the radio frequency (RF) environments defined in the following table:

**Table 5: Electromagnetic immunity**

Test	Description	Performance level	Reference standard
Electrostatic discharge	Contact, HCP, VCP: $\pm 4$ kV; Air: $\pm 8$ kV	B	EN 61000-4-2: 95
Radiated RF immunity	80 to 2,000 MHz, 10 V/m, 80% AM with 1 kHz sine 900 MHz, 3 V/m, 50% pulse modulation @ 200 Hz	A	EN 61000-4-3: 96 ENV 50204: 95
Electrical fast transient	$\pm 1$ kV on AC mains, $\pm 0.5$ kV on external I/O	B	EN 61000-4-4: 95
Surge immunity	$\pm 1$ kV differential, $\pm 2$ kV common, AC mains	B	EN 61000-4-5: 95
Conducted RF immunity	150 kHz to 80 MHz, 3 V <sub>rms</sub> , 80% AM with 1 kHz sine	A	EN 61000-4-6: 97
Power Frequency H-field immunity	1 A/m, 50Hz/60Hz, 3 axes	A	EN 61000-4-8: 97
Voltage dips, interrupts	30% Reduction for 25 cycles >95% Reduction for 250 cycles >95%, 0.5 cycles	C C B	EN 61000-4-11: 94

A - 1) No upset or degradation in performance beyond manufacturer's specified limits.

2) No data loss.

B - 1) Unit self recovers without user intervention.

2) No data loss.

C - 1) Upset OK provided that unit will function after user intervention.

## 2.13 Reliability

Measurement type	Specification
Nonrecoverable read errors	1 per 10 <sup>14</sup> bits read, max.
Annualized Failure Rate (AFR)	0.73%
Load/Unload (U/UL)  25°C, 50% relative humidity  32°C, 80% relative humidity 5°C, 80% relative humidity 5°C, 10% relative humidity 55°C, 16% relative humidity	  600,000 software-controlled power on/off cycles 20,000 hard power on/off cycles  600,000 software-controlled power on/off cycles 20,000 hard power on/off cycles
Service Life	5 years
Warranty	5 years on distribution units. To determine the warranty for a specific drive, use a web browser to access the following web page: <a href="http://www.seagate.com/support/service/">www.seagate.com/support/service/</a> From this page, click on the “Verify Your Warranty” link. You will be asked to provide the drive serial number, model number (or part number) and country of purchase. The system will display the warranty information for your drive.

## 2.14 Agency certification

### 2.14.1 Safety certification

The drives are recognized in accordance with UL 1950 and CSA C22.2 (950) and meet all applicable sections of IEC950 and EN 60950 as tested by TUV North America.

### 2.14.2 Electromagnetic compatibility

Hard drives that display the CE mark comply with the European Union (EU) requirements specified in the Electromagnetic Compatibility Directive (89/336/EEC). Testing is performed to the levels specified by the product standards for Information Technology Equipment (ITE). Emission levels are defined by EN 55022, Class B and the immunity levels are defined by EN 55024.

Seagate uses an independent laboratory to confirm compliance with the EC directives specified in the previous paragraph. Drives are tested in representative end-user systems. Although CE-marked Seagate drives comply with the directives when used in the test systems, we cannot guarantee that all systems will comply with the directives. The drive is designed for operation inside a properly designed enclosure, with properly shielded I/O cable (if necessary) and terminators on all unused I/O ports. Computer manufacturers and system integrators should confirm EMC compliance and provide CE marking for their products.



## Korean RRL

If these drives have the Korea Ministry of Information and Communication (MIC) logo, they comply with paragraph 1 of Article 11 of the Electromagnetic Compatibility control Regulation and meet the Electromagnetic Compatibility (EMC) Framework requirements of the Radio Research Laboratory (RRL) Ministry of Information and Communication Republic of Korea.

These drives have been tested and comply with the Electromagnetic Interference/Electromagnetic Susceptibility (EMI/EMS) for Class B products. Drives are tested in a representative, end-user system by a Korean-recognized lab.

- EUT name (model numbers): ST9120821A, ST9100824A, ST98823A, ST96812A, ST94813A and ST93811A.

- Certificate numbers:

ST9120821A	E-D011-04-3510(B)
ST9100824A	E-D011-04-3506(B)
ST98823A	E-D011-04-3503(B)
ST96812A	E-D011-04-3502(B)
ST94813A	E-D011-04-3504(B)
ST93811A	(pending)

- Trade name or applicant: Seagate Technology International
- Manufacturing date: June 2005
- Manufacturer/nationality: Seagate Technology International

## Australian C-Tick (N176)

If these models have the C-Tick marking, they comply with the Australia/New Zealand Standard AS/NZS3548 1995 and meet the Electromagnetic Compatibility (EMC) Framework requirements of the Australian Communication Authority (ACA).

### 2.14.3 FCC verification

These drives are intended to be contained solely within a personal computer or similar enclosure (not attached as an external device). As such, each drive is considered to be a subassembly even when it is individually marketed to the customer. As a subassembly, no Federal Communications Commission verification or certification of the device is required.

Seagate Technology LLC has tested this device in enclosures as described above to ensure that the total assembly (enclosure, disc drive, motherboard, power supply, etc.) does comply with the limits for a Class B computing device, pursuant to Subpart J, Part 15 of the FCC rules. Operation with noncertified assemblies is likely to result in interference to radio and television reception.

**Radio and television interference.** This equipment generates and uses radio frequency energy and if not installed and used in strict accordance with the manufacturer's instructions, may cause interference to radio and television reception.

This equipment is designed to provide reasonable protection against such interference in a residential installation. However, there is no guarantee that interference will not occur in a particular installation. If this equipment does cause interference to radio or television, which can be determined by turning the equipment on and off, you are encouraged to try one or more of the following corrective measures:

- Reorient the receiving antenna.
- Move the device to one side or the other of the radio or TV.
- Move the device farther away from the radio or TV.
- Plug the computer into a different outlet so that the receiver and computer are on different branch outlets.

If necessary, you should consult your dealer or an experienced radio/television technician for additional suggestions. You may find helpful the following booklet prepared by the Federal Communications Commission: *How to Identify and Resolve Radio-Television Interference Problems*. This booklet is available from the Superintendent of Documents, U.S. Government Printing Office, Washington, DC 20402. Refer to publication number 004-000-00345-4.

## **2.15 Environmental protection**

Seagate designs its products to meet environmental protection requirements worldwide, including regulations restricting certain chemical substances.

### **European Union Restriction of Hazardous Substances (RoHS)**

A new law, the European Union Restriction of Hazardous Substances (RoHS) directive, will restrict the presence of chemical substances, including Lead (Pb), in electronic products effective July 2006. The directive's requirements have not been finalized. This drive is manufactured with components and materials that are expected to comply with the RoHS directive when the directive takes effect.

## **2.16 Corrosive environment**

Seagate electronic drive components pass accelerated corrosion testing equivalent to 10 years exposure to light industrial environments containing sulfurous gases, chlorine and nitric oxide, classes G and H per ASTM B845. However, this accelerated testing cannot duplicate every potential application environment. Users should use caution exposing any electronic components to uncontrolled chemical pollutants and corrosive chemicals as electronic drive component reliability can be affected by the installation environment. The silver, copper, nickel and gold films used in Seagate products are especially sensitive to the presence of sulfide, chloride, and nitrate contaminants. Sulfur is found to be the most damaging. In addition, electronic components should never be exposed to condensing water on the surface of the printed circuit board assembly (PCBA) or exposed to an ambient relative humidity greater than 95%. Materials used in cabinet fabrication, such as vulcanized rubber, that can outgas corrosive compounds should be minimized or eliminated. The useful life of any electronic equipment may be extended by replacing materials near circuitry with sulfide-free alternatives.

## 3.0 Configuring and mounting the drive

---

This section contains the specifications and instructions for configuring and mounting the drive.

### 3.1 Handling and static discharge precautions

After unpacking, and before installation, the drive may be exposed to potential handling and electrostatic discharge (ESD) hazards. Observe the following standard handling and static-discharge precautions:

**Caution:**

- Keep the drive in the electrostatic discharge (ESD) bag until you are ready for installation to limit the drive's exposure to ESD.
- Before handling the drive, put on a grounded wrist strap, or ground yourself frequently by touching the metal chassis of a computer that is plugged into a grounded outlet. Wear a grounded wrist strap throughout the entire installation procedure.
- Handle the drive only by its edges or frame.
- The drive is fragile—handle it with care. Do not press down on the drive top cover.
- Always rest the drive on a padded, antistatic surface until you mount it in the computer.
- Do not touch the connector pins or the printed circuit board.
- Do not remove the factory-installed labels from the drive or cover them with additional labels. Removal voids the warranty. Some factory-installed labels contain information needed to service the drive. Other labels are used to seal out dirt and contamination.

## 3.2 Jumper settings

### 3.2.1 Master/slave configuration

Use the options jumper block shown in Figure 3 to configure the drive for operation. This jumper block is the 4-pin header adjacent to pins 1 and 2 of the I/O signal pins. For additional information about using the Cable select option, see Section 3.2.2.

The “Master or single drive” option is the factory default setting.

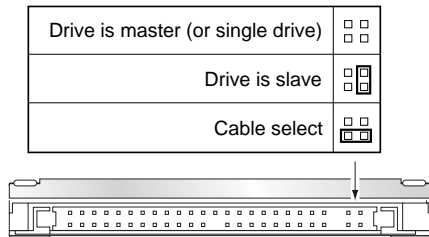


Figure 3. Jumper settings

### 3.2.2 Cable-select option

Computers that use cable select determine the master and slave drives by selecting or deselecting pin 28, CSEL, on the interface bus. Master and slave drives are determined by their physical position on the cable. To enable cable select, set a jumper as shown in Figure 3. Refer to your computer manual to determine whether your computer supports this option.

### 3.3 Drive mounting

You can mount the drive using four screws in the side-mounting holes or four screws in the bottom-mounting holes. See Figure 4 for drive mounting dimensions (dimensions in inches with mm in parentheses). Follow these important mounting precautions when mounting the drive:

- Allow a minimum clearance of 0.030 inches (0.76 mm) around the entire perimeter of the drive for cooling.
- Use only M3 x 0.5 mounting screws.
- Do not overtighten the mounting screws (maximum torque: 4.0 inch-lb).
- Four (4) threads (0.080 inches) minimum screw engagement recommended.

Measurements shown in Figure 4 are in inches.

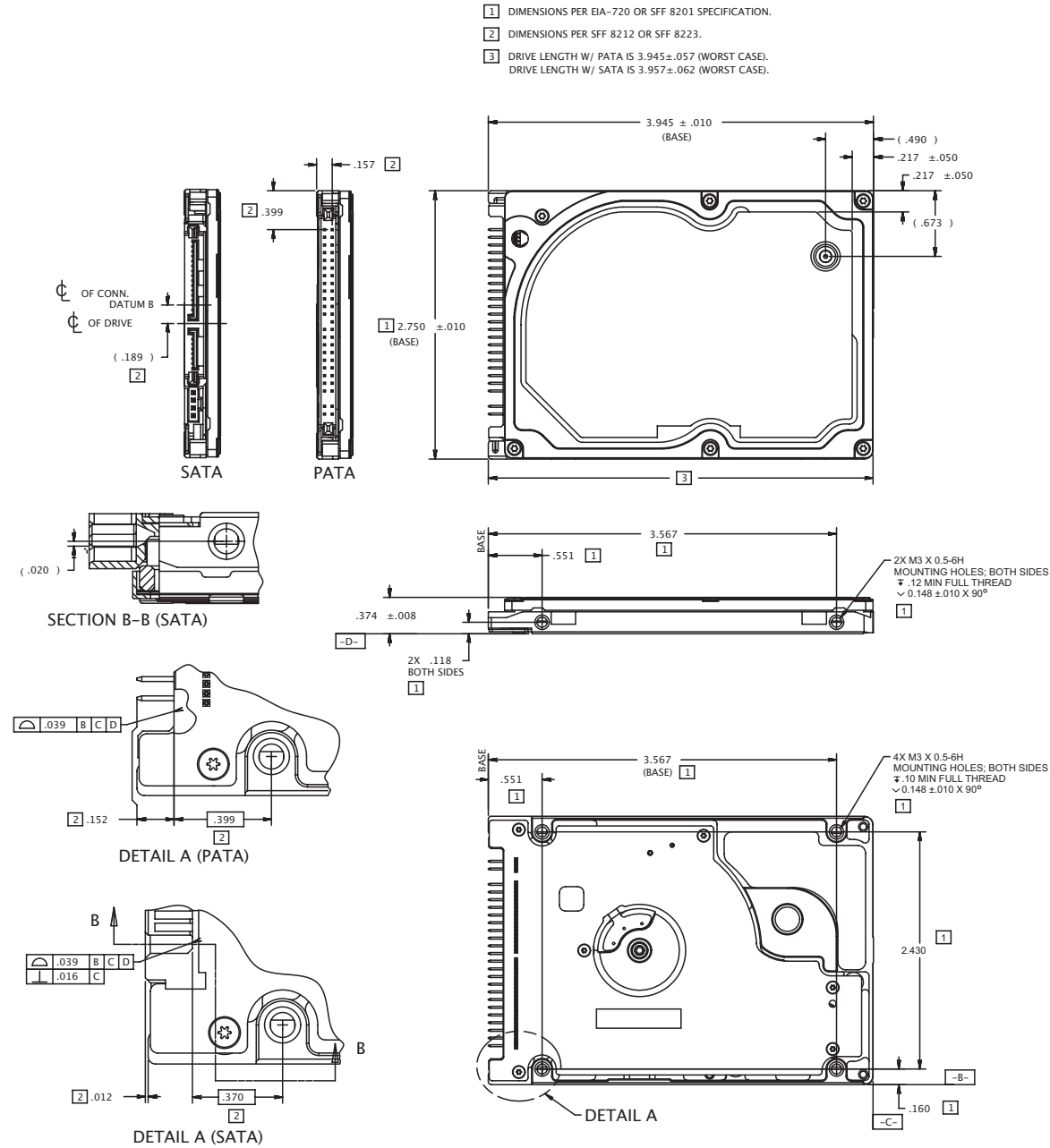


Figure 4. Mounting dimensions—top, side and end view



## 4.0 ATA interface

These drives use the industry-standard ATA task file interface that supports 16-bit data transfers. It supports ATA programmed input/output (PIO) modes 0–4; multiword DMA modes 0–2, and Ultra DMA modes 0–5. The drive also supports the use of the IORDY signal to provide reliable high-speed data transfers.

For detailed information about the ATA interface, refer to the draft of *AT Attachment with Packet Interface Extension (ATA/ATAPI-6)*, *NCITS T13 1410D*, subsequently referred to as the *Draft ATA-6 Standard*.

### 4.1 ATA interface signals and connector pins

The following table summarizes the signals on the 44-pin ATA interface connector. For a detailed description of these signals, refer to the *Draft ATA-6 Standard*.

**Table 6: Connector signals**

Signal Name	Connector Contact	Cable Conductor
RESET-	1	1
DD7	3	3
DD6	5	5
DD5	7	7
DD4	9	9
DD3	11	11
DD2	13	13
DD1	15	15
DD0	17	17
Ground	19	19
DMARQ	21	21
DIOW-	23	23
DIOR-	25	25
IORDY	27	27
DMACK-	29	29
INTRQ	31	31
DA1	33	33
DA0	35	35
CS1FX-	37	37
DASP-	39	39
+5 V (Logic)	41	41
Ground (Return)	43	43

Cable Conductor	Connector Contact	Signal Name
2	2	Ground
4	4	DD8
6	6	DD9
8	8	DD10
10	10	DD11
12	12	DD12
14	14	DD13
16	16	DD14
18	18	DD15
20	20	(keypin)
22	22	Ground
24	24	Ground
26	26	Ground
28	28	PSYNC:CSEL
30	30	Ground
32	32	IOCS16-
34	34	PDIAG-
36	36	DA2
38	38	CS3FX-
40	40	Ground
42	42	+5V (Motor)
44	44	No connection

#### 4.1.1 Supported ATA commands

The following table lists ATA-standard commands that the drive supports. For a detailed description of the ATA commands, refer to the *Draft ATA-6 Standard...*

**Table 7: Supported commands**

Command name	Command code (in hex)
<b>ATA-standard commands</b>	
ATA Device Configuration Overlay	B1 <sub>H</sub>
ATA Service	A2 <sub>H</sub>
Check Power Mode	98 <sub>H</sub> , E5 <sub>H</sub>
Download Microcode	92 <sub>H</sub>
Execute Device Diagnostics	90 <sub>H</sub>
Flush Cache	E7 <sub>H</sub>
Flush Cache Extended	EA <sub>H</sub>
Format Track (Legacy)	50 <sub>H</sub>
Identify Device	EC <sub>H</sub>
Idle	97 <sub>H</sub> , E3 <sub>H</sub>
Idle Immediate	95 <sub>H</sub> , E1 <sub>H</sub>
Initialize Device Parameters	91 <sub>H</sub>
Read Buffer	E4 <sub>H</sub>
Read DMA	C8 <sub>H</sub> , C9 <sub>H</sub>
Read DMA Extended	25 <sub>H</sub>
Read Log Extended	22 <sub>H</sub>
Read Multiple	C4 <sub>H</sub>
Read Multiple Extended	29 <sub>H</sub>
Read Native Max Address	F8 <sub>H</sub>
Read Native Max Address Extended	27 <sub>H</sub>
Read Sectors	20 <sub>H</sub> , 21 <sub>H</sub>
Read Sectors Extended	24 <sub>H</sub>
Read Verify Sectors	40 <sub>H</sub> , 41 <sub>H</sub>
Read Verify Sectors Extended	42 <sub>H</sub>
Recalibrate	10 <sub>H</sub>
Security Disable Password	F6 <sub>H</sub>
Security Erase Prepare	F3 <sub>H</sub>
Security Erase Unit	F4 <sub>H</sub>
Security Freeze Lock	F5 <sub>H</sub>
Security Set Password	F1 <sub>H</sub>



**Table 7: Supported commands**

Command name	Command code (in hex)
Security Unlock	F2 <sub>H</sub>
Seek	70 <sub>H</sub>
Set Drive Parameters	91 <sub>H</sub>
Set Features	EF <sub>H</sub>
Set Max Address	F9 <sub>H</sub>
Note: Individual Set Max commands are identified by the value placed in the Set Max Features register as defined to the right.	Address 00 <sub>H</sub> Password 01 <sub>H</sub> Lock 02 <sub>H</sub> Unlock 03 <sub>H</sub> Freeze Lock 04 <sub>H</sub>
Set Multiple Mode	C6 <sub>H</sub>
Sleep	99 <sub>H</sub> , E6 <sub>H</sub>
S.M.A.R.T.	B0 <sub>H</sub>
Standby	96 <sub>H</sub> , E2 <sub>H</sub>
Standby Immediate	94 <sub>H</sub> , E0 <sub>H</sub>
Vendor Unique	9A <sub>H</sub> , FA <sub>H</sub> , FB <sub>H</sub>
Write Buffer	E8 <sub>H</sub>
Write DMA	CA <sub>H</sub> , CB <sub>H</sub>
Write DMA Extended	35 <sub>H</sub>
Write Log Extended	32 <sub>H</sub>
Write Multiple	C5 <sub>H</sub>
Write Multiple Extended	39 <sub>H</sub>
Write Sectors	30 <sub>H</sub> , 31 <sub>H</sub>
Write Sectors Extended	34 <sub>H</sub>
<b>ATA-standard power-management commands</b>	
Check Power Mode	98 <sub>H</sub> or E5 <sub>H</sub>
Idle	97 <sub>H</sub> or E3 <sub>H</sub>
Idle Immediate	95 <sub>H</sub> or E1 <sub>H</sub>
Sleep	99 <sub>H</sub> or E6 <sub>H</sub>
Standby	96 <sub>H</sub> or E2 <sub>H</sub>
Standby Immediate	94 <sub>H</sub> or E0 <sub>H</sub>
<b>ATA-standard security commands</b>	
Security Set Password	F1 <sub>H</sub>
Security Unlock	F2 <sub>H</sub>
Security Erase Prepare	F3 <sub>H</sub>
Security Erase Unit	F4 <sub>H</sub>

**Table 7: Supported commands**

<b>Command name</b>	<b>Command code (in hex)</b>
Security Freeze Lock	F5 <sub>H</sub>
Security Disable Password	F6 <sub>H</sub>

#### 4.1.2 Identify Device command

The Identify Device command (command code EC<sub>H</sub>) transfers information about the drive to the host following power up. The data is organized as a single 512-byte block of data, whose contents are shown in Table 7 on page 22. All reserved bits or words should be set to zero. Parameters listed with an “x” are drive-specific or vary with the state of the drive. See Section 2.0 on page 3 for default parameter settings.

The following commands contain drive-specific features that may not be included in the *Draft ATA-6 Standard*.

Word	Description	Value
0	Configuration information: <ul style="list-style-type: none"> <li>• Bit 15: 0 = ATA; 1 = ATAPI</li> <li>• Bit 7: removable media</li> <li>• Bit 6: removable controller</li> <li>• Bit 0: reserved</li> </ul>	0C5A <sub>H</sub>
1	Number of logical cylinders	16,383
2	ATA-reserved	0000 <sub>H</sub>
3	Number of logical heads	16
4	Retired	0000 <sub>H</sub>
5	Retired	0000 <sub>H</sub>
6	Number of logical sectors per logical track: 63	003F <sub>H</sub>
7–9	Retired	0000 <sub>H</sub>
10–19	Serial number: (20 ASCII characters, 0000 <sub>H</sub> = none)	ASCII
20	Retired	0000 <sub>H</sub>
21	Retired	0400 <sub>H</sub>
22	Obsolete	0000 <sub>H</sub>
23–26	Firmware revision (8 ASCII character string, padded with blanks to end of string)	x.xx
27–46	Drive model number (40 ASCII characters, padded with blanks to end of string)	ST9120821A ST9100824A ST98823A ST96812A ST94813A ST93811A
47	(Bits 7–0) Maximum sectors per interrupt on Read multiple and Write multiple (16)	8010 <sub>H</sub>
48	Reserved	0000 <sub>H</sub>
49	Standard Standby timer, IORDY supported and may be disabled	2F00 <sub>H</sub>
50	ATA-reserved	0000 <sub>H</sub>
51	PIO data-transfer cycle timing mode	0200 <sub>H</sub>
52	Retired	0200 <sub>H</sub>
53	Words 54–58, 64–70 and 88 are valid	0007 <sub>H</sub>
54	Number of current logical cylinders	xxxx <sub>H</sub>
55	Number of current logical heads	xxxx <sub>H</sub>
56	Number of current logical sectors per logical track	xxxx <sub>H</sub>

Word	Description	Value
57–58	Current capacity in sectors	xxxx <sub>H</sub>
59	Number of sectors transferred during a Read Multiple or Write Multiple command	xxxx <sub>H</sub>
60–61	Total number of user-addressable LBA sectors available (see Section 2.2 for related information)	ST9120821A = 234,441,648 ST9100824A = 195,371,568 ST98823A = 156,301,488 ST96812A = 117,210,240 ST94813A = 78,140,160 ST93811A = 58,605,120
62	Retired	0000 <sub>H</sub>
63	Multiword DMA active and modes supported (see note following this table)	xx07 <sub>H</sub>
64	Advanced PIO modes supported (modes 3 and 4 supported)	0003 <sub>H</sub>
65	Minimum multiword DMA transfer cycle time per word (120 nsec)	0078 <sub>H</sub>
66	Recommended multiword DMA transfer cycle time per word (120 nsec)	0078 <sub>H</sub>
67	Minimum PIO cycle time without IORDY flow control (240 nsec)	00F0 <sub>H</sub>
68	Minimum PIO cycle time with IORDY flow control (120 nsec)	0078 <sub>H</sub>
69–74	ATA-reserved	0000 <sub>H</sub>
75	Queue depth	0000 <sub>H</sub>
76–79	ATA-reserved	0000 <sub>H</sub>
80	Major version number	007E <sub>H</sub>
81	Minor version number	0000 <sub>H</sub>
82	Command sets supported	346B <sub>H</sub>
83	Command sets supported	7D01 <sub>H</sub>
84	Command sets support extension	4003 <sub>H</sub>
85	Command sets enabled	34xx <sub>H</sub>
86	Command sets enabled	3xxx <sub>H</sub>
87	Command sets enable extension	4003 <sub>H</sub>
88	Ultra DMA support and current mode (see note following this table)	xx3F <sub>H</sub>
89	Security erase time	0000 <sub>H</sub>
90	Enhanced security erase time	0000 <sub>H</sub>
91	Advanced power management value	0040 <sub>H</sub>
92	Master password revision code	FFFE <sub>H</sub>
93	Hardware reset value (see description following this table)	xxxx <sub>H</sub>
94	Auto acoustic management setting	xxxx <sub>H</sub>
95–127	ATA-reserved	0000 <sub>H</sub>
128	Security status	0001 <sub>H</sub>

Word	Description	Value
129–159	Seagate-reserved	xxxx <sub>H</sub>
160–254	ATA-reserved	0000 <sub>H</sub>
255	Integrity word	xxA5 <sub>H</sub>

**Note.** See the bit descriptions below for words 63, 88, 93 and 94 of the Identify Drive data.

**Description (if bit is set to 1)**

Bit	Word 63
0	Multiword DMA mode 0 is supported.
1	Multiword DMA mode 1 is supported.
2	Multiword DMA mode 2 is supported.
8	Multiword DMA mode 0 is currently active.
9	Multiword DMA mode 1 is currently active.
10	Multiword DMA mode 2 is currently active.
Bit	Word 88
0	Ultra DMA mode 0 is supported.
1	Ultra DMA mode 1 is supported.
2	Ultra DMA mode 2 is supported.
3	Ultra DMA mode 3 is supported.
4	Ultra DMA mode 4 is supported.
8	Ultra DMA mode 0 is currently active.
9	Ultra DMA mode 1 is currently active.
10	Ultra DMA mode 2 is currently active.
11	Ultra DMA mode 3 is currently active.
12	Ultra DMA mode 4 is currently active.
13	Ultra DMA mode 5 is currently active.
Bit	Word 93
13	1 = 80-conductor cable detected, CBLID above V <sub>IH</sub> 0 = 40-conductor cable detected, CBLID below V <sub>IL</sub>

### 4.1.3 Set Features command

This command controls the implementation of various features that the drive supports. When the drive receives this command, it sets BSY, checks the contents of the Features register, clears BSY and generates an interrupt. If the value in the register does not represent a feature that the drive supports, the command is aborted. Power-on default has the read look-ahead and write caching features enabled. The acceptable values for the Features register are defined as follows:

**Table 8: Features register values**

02 <sub>H</sub>	Enable write cache ( <i>default</i> ).	
03 <sub>H</sub>	Set transfer mode (based on value in Sector Count register).	
	Sector Count register values:	
	00 <sub>H</sub>	Set PIO mode to default (PIO mode 2).
	01 <sub>H</sub>	Set PIO mode to default and disable IORDY (PIO mode 2).
	08 <sub>H</sub>	PIO mode 0
	09 <sub>H</sub>	PIO mode 1
	0A <sub>H</sub>	PIO mode 2
	0B <sub>H</sub>	PIO mode 3
	0C <sub>H</sub>	PIO mode 4 ( <i>default</i> )
	20 <sub>H</sub>	Multiword DMA mode 0
	21 <sub>H</sub>	Multiword DMA mode 1
	22 <sub>H</sub>	Multiword DMA mode 2
	40 <sub>H</sub>	Ultra DMA mode 0
	41 <sub>H</sub>	Ultra DMA mode 1
	42 <sub>H</sub>	Ultra DMA mode 2
	43 <sub>H</sub>	Ultra DMA mode 3
	44 <sub>H</sub>	Ultra DMA mode 4
	45 <sub>H</sub>	Ultra DMA mode 5
05 <sub>H</sub>	Enable advanced power management	
55 <sub>H</sub>	Disable read look-ahead (read cache) feature.	
82 <sub>H</sub>	Disable write cache.	
AA <sub>H</sub>	Enable read look-ahead (read cache) feature ( <i>default</i> ).	
F1 <sub>H</sub>	Report full capacity available	

**Note.** At power-on or after a hardware or software reset the default values of the features are as indicated above.

## **5.0 Compatibility summary**

---

### **5.1 Installation considerations**

Many of today's mobile computers have been designed to make it possible for the end user to replace the hard drive. Refer to your system's user manual for the location of the hard drive compartment and the specific instructions regarding replacement. Refer to your system manufacturer's support website for the most up-to-date information. Read and follow all instructions regarding the proper steps to be taken when replacing the system hard drive. Some mobile systems are sealed and require specialized tools to gain access to the hard drive. Special training or tools may be needed to service some mobile computers. In some cases, opening the case may void your warranty. Consult your system documentation. Seagate recommends taking your system to an authorized service technician to replace your hard drive.

## System Compatibility

Seagate Product Assurance has tested Momentus drives in the systems listed in Table 9. Testing included multiple BIOS versions and operating systems. This testing was done to demonstrate compatibility with various hardware and software configurations. Hardware and software combinations, other than those tested, may also be compatible with this drive.

**Table 9: Tested systems**

Gateway 300SE	EVO D300	Lavie LJ700/7E	Micron T2000
Gateway 450RGH	EVO D300V	Lavie LL750/8	Micron T2100
Gateway 500XL	EVO D310	Lavie LL970/9D	Micron T2200
Gateway 700S	EVO D310M	Lavie LR700/9E	Thinkpad
Gateway 700X	EVO D310V	Lavie LS830/9D	Thinkpad A22E
ABIT BL7	EVO D500	Microstar MSI-6561	ThinkpadG40
Acer Aspire 2000	EVO D500M	Microstar MSI-6566E	Thinkpad T30
Amilio	EVO D500S	Millennia 920I PRO	Thinkpad T40
ASUS P4SGL-VM	EVO D510	MIM 2020	Tian YI S180
AZZA P4X2-AV	EVO D510 SFF	MIT-RHE-BT	Transport GX3
Bonatti	EVO D510C	Netvista	Transport T1000
Brasilia	EVO E-6000	Optiplex GX150	Transport V1000
Client Pro 345	EVO N620C	Optiplex GX260	Travel Mate 660
Client Pro 345E	EVO W-4000	Optiplex GX400	Travel Mate 800LCI
Compaq NX9500	FID 2040	Pavillion 774Y	Travel Mate 800LCI
Compaq D315	FID 2100	Pavillion ZD7000	Travel Mate 2500
HP D330	FMV 16C/V	Pavillion ZT3000	Travel Mate 290VCI
HP D330 MT	FMV Biblo MG 75HT/ST	Pavillion ZV5000	Travel Mate 650
HP D330 UT	FMV Biblo NB75H/T	Pavillion ZX5000	Travel Mate 660
HP D530	FMV Biblo NH90H/T	Sony PCV-RZ60	Travel Mate 800
HP D530 CMT	FMV CE50G7 (IVY6)	Performance	Travel Mate 8000
HP D530 SFF	FMV NB18C	Performance 1400	Trigem S7 7570
HP D530 USDT	Gigabyte GA-7DXR+	Performance 1500	Trigem V7 7600
Dimensio GX400	Gigabyte GA-8IDX	Powerbook 5	NECUNI-TRI-NT
Dimension 4100	Gigabyte GA-8SIML	Powerbook 5,2	Micron V2000
Dimension 4100 XPSZ	Gigabyte GA-8SR533	Powerbook 5,2	Vaio PCG-V505/B
Dimension 4400	HP/Compaq NX7000	Powerbook G4	Vaio PCG-ZIR/P
Dimension 4500S	IBM XNote	Precision 330	Vaio PCV RX770
Dimension 4600	Imedia 7150(Discovery)	Precision 340	Vaio PCV7753
Dimension 8100	Inspirion 8100	Precision 350	Vaio PCV-7753
Dimension 8200	Inspirion 1150	Precision 360	Valuestar VC300/4D
Dimension 8250	Inspirion 2650	Precision 530	Valuestar VF500/8D
Dimension 8300	Inspirion 300M	Precision M60	Valuestar VF500/D
Dimension XPS	Inspirion 5100	Presario 2100	Valuestar VG17H/8
Dynabook TX/2513CMCW	Inspirion 5150	Presario 2500	Valuestar VG17H2Z38
Compaq E -6000	Inspirion 600M	Presario 6000	Valuestar VT500/4D
Gateway E Series	Inspirion 8600	Presario 8000	Veriton 7200D
Gateway E-2000	Inspirion 9100	Presario 8000Z	Veriton 7500
Gateway E-4000	Inspirion XPS	Presario R3000	VGN-A70P
Gateway E-4100	Intel 845GBV	Presario X1000	W 6000
Gateway E4600	Intel SPRINGDALE-G	Pro S P4-1300SE	Workstation XW5000
Gateway E6000	Intellistation EPVO	Pro S P4-1400	Workstation XW8000
Gateway E-6100	Intellistation M PRO	Qosmio E10/1JCDT	Presario X1000
Elite ECS-K7S6A	JIA HE H150	IBM R50	MPC X3000
Elite ECS-L4S5MG	Latitude 100L	IBM R50P	Yi He A760D
Elite K7S5A	Latitude 8600	SB-4100A	Zhao Yang E260
Equium 3140CS	Latitude D400	SB-4100-C	Zhao Yang E600A
Equium 3150	Latitude D505	SB-4100-E	Zhao Yang S620
Equium 5070CS	Latitude D600	SB-4100-B	
ES2 300X	Latitude D800	Shuttle AV40	
ES2 500S	Latitude X300	Slotek SL-85SD	
ESX- SB-400 E PC		Scnic	
ESX500S			



## 5.2 BIOS versions tested

The following list indicates the types of BIOS Seagate tested during the compatibility testing process. The list highlights the major BIOS manufacturers. Individual systems contain variations of these BIOS versions and were tested with regard to their implementation in the individual systems.

**Table 10: Tested BIOS versions**

Vendor	Release	Revision
ACER		1.01
ACPI		Ver. 1.20
AMI	Various	Various
Apple	4.71F1	
Apple	4.8.4F1	
Award	Various	Various
Compal	38118	v2.00
Compaq	68xxx	Various
Compaq	78xxx	Various
Compaq	8602	v1.08
Compaq	F.07	
Dell	Various	A03
Gateway	Various	
HP	Various	Various
IBM	Various	Various
Insyde SCU		1.1
Insyde	Various	Various
Insyde	Mobilepro	Various
Intel	786B2	v1.11
M1300	A02	37763
Medion	1.0D-1373-0812	
Micron	Various	
Mobile Pro	4.00.01	V1.04 EC1.01M
NEC	Various	Various
Phoenix	Various	Various
Toshiba	Various	Various

### 5.3 Operating system versions tested

This list indicates the types of Operating Systems Seagate tested during the compatibility testing process and highlights the major OS manufacturers. Several variations of the major operating systems have been tested.

**Table 11: Operating systems tested**

Manufacturer	Version/Release
Apple	MacOS 9.22
Apple	MacOS X 10.2.3
Microsoft	MSDOS 6.22
Microsoft	Windows 98, 98SE, ME (multiple languages)
Microsoft	Windows 2000, 2000-Pro (+SP 1 thru 4) (multiple languages)
Microsoft	Windows NT 4.0 (+SP 6 and 6a) (+Japanese)
Microsoft	Windows XP, XP Pro, XP Home (+SP1) (multiple languages)

### 5.4 Compatibility test configurations

The Momentus drives have been tested to demonstrate compliance with ATA/ATAPI-6 in both the master drive and slave drive positions. These tests were performed to ensure the functionality to ATA/ATAPI-6 specifications and the compatibility of Seagate Momentus drives with other ATA/ATAPI-6 compliant peripherals.

### 5.5 Software utilities

The following is a brief overview of some of the Seagate utilities used during the Seagate competitive analysis process.

The Seagate SeaTools application is an exclusive disc drive diagnostic software designed to troubleshoot most hard drive issues. Desktop edition works with most ATA, SATA, or SCSI drives in desktop systems and has a 98 percent accuracy rate.

The Seagate DiscWizard™ application simplifies the installation of disc drives. This software also overcomes many system BIOS and operating system limitations that can complicate the installation of higher-capacity ATA (IDE) interface drives.

This is a list of some of the third party utilities used in the testing process.

Vendor	Application
AMI	Diagnostic
Apple	Macbench
Intel	PCI-EXE
Microsoft	Winbench99
Symantec	Norton Utilities

### 5.6 Other certification

Microsoft software compatibility.

## 6.0 Seagate Technology support services

---

### Online services

#### Internet

**www.seagate.com** for information about Seagate products and services. Worldwide support is available 24 hours daily by e-mail for your questions.

*Presales Support:* [www.seagate.com/support/email/email\\_presales.html](http://www.seagate.com/support/email/email_presales.html) or [Presales@Seagate.com](mailto:Presales@Seagate.com)

*Technical Support:* [www.seagate.com/support/email/email\\_disc\\_support.html](http://www.seagate.com/support/email/email_disc_support.html) or [DiscSupport@Seagate.com](mailto:DiscSupport@Seagate.com)

#### mySeagate

[my.seagate.com](http://my.seagate.com) is the industry's first Web portal designed specifically for OEMs and distributors. It provides self-service access to critical applications, personalized content and the tools that allow our partners to manage their Seagate account functions. Submit pricing requests, orders and returns through a single, password-protected Web interface—anytime, anywhere in the world.

#### reseller.seagate.com

[reseller.seagate.com](http://reseller.seagate.com) supports Seagate resellers with product information, program benefits and sales tools. You may register for customized communications that are not available on the web. These communications contain product launch, EOL, pricing, promotions and other channel-related information. To learn more about the benefits or to register, go to [reseller.seagate.com](http://reseller.seagate.com), any time, from anywhere in the world.

### Automated phone services

**SeaFONE® (1-800-SEAGATE)** is the Seagate toll-free number (1-800-732-4283) to access our automated directory assistance for Seagate Service Center support options. International callers can reach this service by dialing +1-405-324-4770.

### Seagate Service Centers

#### Presales Support

Our Presales Support staff can help you determine which Seagate products are best suited for your specific application or computer system, as well as drive availability and compatibility.

#### Technical Support

If you need help installing your drive, consult your system's documentation or contact the dealer's support services department for assistance specific to your system. Seagate technical support is also available to assist you online at [support.seagate.com](http://support.seagate.com) or through one of our call centers. Have your system configuration information and your drive's "ST" model number available.

**SeaTDD™ (+1-405-324-3655)** is a telecommunications device for the deaf (TDD). You can send questions or comments 24 hours daily and exchange messages with a technical support specialist during normal business hours for the call center in your region.

## Customer Service Operations

### Warranty Service

Seagate offers worldwide customer support for Seagate drives. Seagate distributors, OEMs and other direct customers should contact their Seagate Customer Service Operations (CSO) representative for warranty-related issues. Resellers or end users of drive products should contact their place of purchase or one of the Seagate CSO warranty centers for assistance. Have your drive's "ST" model number and serial number available.

### Data Recovery Services

Seagate offers data recovery services for all formats and all brands of storage media. Our Data Recovery Services labs are currently located in North America. To get a free quick quote or speak with a case management representative, call 1-800-475-0143. Additional information, including an online request form and data loss prevention resources, is available at [www.datarecovery.seagate.com](http://www.datarecovery.seagate.com).

### Authorized Service Centers

In some locations outside the US, you can contact an Authorized Service Center for service.

## USA/Canada/Latin America support services

### Seagate Service Centers

#### Presales Support

Call center	Toll-free	Direct dial	FAX
Americas	1-877-271-3285 <sup>1</sup>	+1-405-324-4730 <sup>1</sup>	+1-405-324-4704

#### Technical Support

Call center	Toll-free	Direct dial	FAX
Americas	1-800-SEAGATE <sup>2</sup>	+1-405-324-4700 <sup>2</sup>	+1-405-324-3339

## Customer Service Operations

### Warranty Service

Call center	Toll-free	Direct dial	FAX / E-mail
USA, Canada, Mexico and Latin America	1-800-468-3472 <sup>3</sup>	—	+1-956-664-4725
Brazil <i>Jabil Industrial Do Brasil LTDA</i> <sup>4</sup>	—	+55-11-4191-4761	+55-11-4191-5084 SeagateRMA.br@jabil.com

### Data Recovery Services

Call center	Toll-free	Direct dial	FAX
USA, Canada, and Mexico	1-800-475-01435	+1-905-474-2162	1-800-475-0158 +1-905-474-2459

<sup>1</sup>Hours of operation are 8:00 A.M. to 11:45 A.M. and 1:00 P.M. to 6:00 P.M., Monday through Friday (Central time).

<sup>2</sup>Hours of operation are 8:00 A.M. to 8:00 P.M., Monday through Friday (Central time).

<sup>3</sup>Hours of operation are 8:00 A.M. to 5:00 P.M., Monday through Friday (Central time).

<sup>4</sup>Authorized Service Center

<sup>5</sup>Hours of operation are 8:00 A.M. to 8:00 P.M., Monday through Friday, and 9:00 A.M. to 5:00 P.M., Saturday (Eastern time).

## European support services

For presales and technical support in Europe, dial the Seagate Service Center toll-free number for your specific location. If your location is not listed here, dial our presales and technical support call center at +1-405-324-4714 from 8:00 A.M. to 11:45 A.M. and 1:00 P.M. to 5:00 P.M. (Central Europe time) Monday through Friday. The presales and technical support call center is located in Oklahoma City, USA.

For European warranty service, dial the toll-free number for your specific location. If your location is not listed here, dial our European CSO warranty center at +31-20-316-7222 from 8:30 A.M. to 5:00 P.M. (Central Europe time) Monday through Friday. The CSO warranty center is located in Amsterdam, The Netherlands.

## Seagate Service Centers

### Toll-free support numbers

Call center	Presales and Technical Support	Warranty Service
Austria	—	00 800-47324289
Belgium	00 800-47324283 (00 800-4SEAGATE)	00 800-47324289
Denmark	00 800-47324283	00 800-47324289
France	00 800-47324283	00 800-47324289
Germany	00 800-47324283	00 800-47324289
Ireland	00 800-47324283	00 800-47324289
Italy	00 800-47324283	00 800-47324289
Netherlands	00 800-47324283	00 800-47324289
Norway	00 800-47324283	00 800-47324289
Poland	00 800-311 12 38	00 800-311 12 38
Spain	00 800-47324283	00 800-47324289
Sweden	00 800-47324283	00 800-47324289
Switzerland	00 800-47324283	00 800-47324289
Turkey	00 800-31 92 91 40	00 800-31 92 91 40
United Kingdom	00 800-47324283	00 800-47324289

### FAX services—All Europe (toll call)

Technical Support	+1-405-324-3339
Warranty Service	+31-20-653-3513

## Africa/Middle East support services

For presales and technical support in Africa and the Middle East, dial our presales and technical support call center at +1-405-324-4714 from 8:00 A.M. to 11:45 A.M. and 1:00 P.M. to 5:00 P.M. (Central Europe time) Monday through Friday. The presales and technical support call center is located in Oklahoma City, USA.

For warranty service in Africa and the Middle East, dial our European CSO warranty center at +31-20-316-7222 from 8:30 A.M. to 5:00 P.M. (Central Europe time) Monday through Friday, or send a FAX to +31-20-653-3513. The CSO warranty center is located in Amsterdam, The Netherlands.

## Asia/Pacific support services

For Asia/Pacific presales and technical support, dial the toll-free number for your specific location. The Asia/Pacific toll-free numbers are available from 6:00 A.M. to 10:45 A.M. and 12:00 P.M. to 6:00 P.M. (Australian Eastern time) Monday through Friday, except as noted. If your location is not listed here, direct dial one of our technical support locations.

Warranty service is available from 9:00 A.M. to 6:00 P.M. April through October, and 10:00 A.M. to 7:00 P.M. November through March (Australian Eastern time) Monday through Friday.

## Seagate Service Centers

Call center	Toll-free	Direct dial	FAX
Australia	1800-14-7201	—	—
China (Mandarin) <sup>1, 4</sup>	800-810-9668	+86-10-6225-5336	—
Hong Kong	800-90-0474	—	—
Hong Kong (Cantonese) <sup>1, 4</sup>	001-800-0830-1730	—	—
India <sup>2, 4</sup>	1-600-180-1104	—	—
Indonesia	001-803-1-003-2165	—	—
Japan <sup>3, 4</sup>	0034 800 400 554	—	—
Korea <sup>3, 4</sup>	007 98 8521 7635	—	—
Malaysia	1-800-80-2335	—	—
New Zealand	0800-443988	—	—
Singapore	800-1101-150	—	+65-6488-7525
Taiwan (Mandarin) <sup>1, 4</sup>	00-800-0830-1730	—	—
Thailand	001-800-11-0032165	—	—

## Customer Service Operations

### Warranty Service

Call center	Toll-free	Direct dial	FAX
Asia/Pacific	—	+65-6485-3595	+65-6485-4860
Australia	1800-12-9277	—	—
India <sup>4</sup>	—	+91-44-821-6164	+91-44-827-2461

<sup>1</sup>Hours of operation are 8:30 A.M. to 5:30 P.M., Monday through Friday (Australian Western time).

<sup>2</sup>Hours of operation are 9:00 A.M. to 6:00 P.M., Monday through Saturday.

<sup>3</sup>Hours of operation are 9:30 A.M. to 6:30 P.M., Monday through Friday.

<sup>4</sup>Authorized Service Center

## **Publication feedback survey**

We are interested in your comments and suggestions regarding this publication. Please take a few minutes to participate in our survey at the following URL:

<http://survey.seagate.com/survey/techpubs.nsf>

Thank you for your time and comments.





# Index

## Numerics

3D Defense System 1

## A

acoustics 13  
Active mode 10  
AFR 14  
agency certification (regulatory) 14  
altitude 11  
ambient conditions 3  
ambient temperature 7, 11  
Annualized Failure Rate 14  
areal density 1, 6  
ATA interface 21  
ATA-standard commands 22  
Australian C-Tick 15  
autodetection 1  
average seek time 7

## B

BIOS manufacturers 31  
BPI 6  
buffer 1, 6  
burst 1

## C

cable select 1  
cable-select option 18  
cache 1, 6  
case temperature 11  
CE mark 14  
certification 14  
Check Power Mode 23  
chemical substances 16  
commands 22  
compatibility 30  
compatibility summary 29  
compatibility test configurations 32  
compliance 14  
conducted noise 9  
conducted RF immunity 13  
configuring the drive 17  
connector pins 21  
Corrosive environment 16  
CSA C22.2 (950) 14  
CSEL 18  
C-Tick 15  
current profile 9  
cycles 14

## D

Data Defense 1  
data-transfer rates 1  
DC power 8  
demonstrate compliance 32  
density 6  
Diagnostic Defense 1  
diagnostic software 1  
discs 5  
dissipation 8  
Download Microcode 22  
Drive Defense 1  
drive diagnostics 7  
drive monitoring 1  
drive self-test 1

## E

electrical fast transient 13  
electromagnetic compatibility 14  
Electromagnetic Compatibility Directive 14  
electromagnetic immunity 13  
electrostatic discharge 13  
EMC compliance 14  
EN 60950 14  
enclosures 15  
Environmental protection 16  
environmental specifications 11  
EPRML 1  
error-correction algorithms 1  
errors 14  
European Union 14  
European Union Restriction of Hazardous Substances 16  
Execute Device Diagnostics 22

## F

FCC verification 15  
Features register 28  
Flush Cache 22  
Flush Cache Extended 22  
formatted capacity 5  
frequency 13

## G

GMR 1  
guaranteed sectors 5

## H

handling 17  
Hazardous Substances 16  
heads 1, 5  
height 6  
humidity 11

## I

- I/O data-transfer rate 6
- Identify Device 22
- Identify Device command 25
- Idle 8, 23
- Idle and Standby timers 10
- Idle Immediate 23
- Idle mode 10
- Idle mode power 8
- IEC950 14
- Information Technology Equipment 14
- Initialize Device Parameters 22
- interface 6, 21
- interface signals 21
- interference 15
- interleave 6
- internal data-transfer rate OD 6
- ISO document 7779 13

## J

- jumper settings 18

## K

- Korean RRL 15

## L

- LBA mode 5
- length 6
- Load/Unload 14
- logical geometry 5

## M

- master/slave 1
- Master/slave configuration 18
- maximum temperature 11
- modes 21
- monitoring 1
- mounting the drive 17, 19

## N

- noise 9
- nominal power 3
- nonoperating shock 12
- nonoperating vibration 12
- nonrecoverable read errors 14

## O

- operating shock 12
- operating system 30
- operating vibration 12
- OS manufacturers 32
- other certification 32

## P

- physical characteristics 6
- physical organization 5
- pins 21
- PIO 21
- power consumption 8
- power dissipation 8
- power frequency h-field immunity 13
- power management 10
- power on/off cycles 14
- power specifications 8
- power-management commands 23
- power-management modes 10
- Power-on to Ready 7
- precautions 19
- programmable power management 10

## R

- radiated RF immunity 13
- radio and television interference 15
- radio frequency (RF) 13
- random track location 8
- Read Buffer 22
- Read DMA 22
- Read DMA Extended 22
- read errors 14
- Read Multiple 1, 22
- Read Multiple Extended 22
- Read Native Max Address 22
- Read Native Max Address Extended 22
- Read Sectors 22
- Read Sectors Extended 22
- Read Verify Sectors 22
- Read Verify Sectors Extended 22
- read/write heads 5
- read/write power and current 8
- recording and interface technology 6
- recording density 6
- recording heads 1
- recording method 6
- register 28
- relative humidity 11
- reliability 14
- resistance 9
- RF 13
- RoHS 16

## S

- S.M.A.R.T. 23
- S.M.A.R.T. drive monitoring 1
- safety certification 14
- screws 19
- SeaTools 1
- sectors 5

- security commands 23
- Security Disable Password 24
- Security Erase Prepare 23
- Security Erase Unit 23
- Security Freeze Lock 24
- Security Set Password 23
- Security Unlock 23
- Seek 23
- seek mode 8
- seek time 7
- Seeking 8
- Self refresh, low power 10
- Service Life 14
- servo electronics 8
- Set Features 23
- Set Features command 28
- Set Max 23
- Set Multiple Mode 23
- shock 12
- signals 21
- single-track seeks 7
- Sleep 8, 23
- Sleep mode 10
- software utilities 32
- sound 13
- specifications 3
- spindle speed 6
- Spinup 8
- spinup power 8
- Standby 8, 23
- Standby Immediate 23
- Standby mode 8, 10
- Standby to Ready 7
- static-discharge precautions 17
- subassembly 15
- support services 33
- surge immunity 13

## T

- technical support services 33
- temperature 11
- temperature gradient 11
- third party utilities 32
- time to ready 7
- timers 10
- track density 6
- track-to-track seek time 7
- TUV North America 14

## U

- UL 1950 14

## V

- vibration 12
- voltage 9
- voltage dips, interrupts 13
- voltage tolerance 9

## W

- Warranty 14
- weight 6
- wet bulb temperature 11
- width 6
- Write Buffer 23
- Write DMA 23
- Write DMA Extended 23
- Write Multiple 1, 23
- Write Multiple Extended 23
- Write Sectors 23
- Write Sectors Extended 23







**Seagate Technology LLC**  
**920 Disc Drive, Scotts Valley, California 95066-4544, USA**  
*Publication Number: 100367120, Rev. A, Printed in U.S.A.*