



Enterprise NAS HDD

SATA Product Manual



ST6000VN0011

ST5000VN0011

ST4000VN0011

ST3000VN0011

ST2000VN0011

100771866, Rev. H

Gen 2 - February 2016

Document Revision History

| Revision | Date | Pages affected |
|----------|------------|--|
| Rev. A | 01/21/2015 | Initial release. |
| Rev. B | 02/27/2015 | Page 13 & 16. |
| Rev. C | 04/27/2015 | Page 19. Corrected side hole dimension in mechanical drawing |
| Rev. D | 05/06/2015 | Page 24. Changed Word 95-104 to reflect Streaming command support |
| Rev. E | 05/20/2015 | Page 19. Corrected titles on mechanical drawing (2-4TB & 5-6TB) |
| Rev. F | 06/11/2015 | Page 14. Changed SRS warranty to "5-years" |
| Rev. G | 11/06/2015 | 4: Revised Support URL's 5, 7 & 13 MTBF changed to 1.2M hrs 6 & 11: Changed to - Drive case temp = 5 to 60°C & Revised Environmental limits section 7: Revised warranty link text to "Is my Drive under Warranty" & Added Rated Workload statement 18: Revised fastener penetration text to "0.140 inch (3.56mm)" 19: Revised Fastener Penetration Depth to ".14 Max" in Fig. 3 |
| Rev. H | 02/11/2016 | 6 & 12: Revised Temperatures 7: Revised Rated Workload statement 7 & 12: Revised Wet Bulb 14: Added Section 2.12.1 Storage 17: Revised Australian RCM text 19 - 20: Revised Fastener Penetration Depth to 0.12 inches in text & Mechanical drawing |

© 2016 Seagate Technology LLC. All rights reserved.

Publication number: 100771866, Rev. H February 2016

Seagate, Seagate Technology and the Spiral logo are registered trademarks of Seagate Technology LLC in the United States and/or other countries. Rescue and SeaTools are either trademarks or registered trademarks of Seagate Technology LLC or one of its affiliated companies in the United States and/or other countries. All other trademarks or registered trademarks are the property of their respective owners.

No part of this publication may be reproduced in any form without written permission of Seagate Technology LLC.

Call 877-PUB-TEK1 (877-782-8351) to request permission.

When referring to drive capacity, one gigabyte, or GB, equals one billion bytes and one terabyte, or TB, equals one trillion bytes. Your computer's operating system may use a different standard of measurement and report a lower capacity. In addition, some of the listed capacity is used for formatting and other functions, and thus will not be available for data storage. Actual quantities will vary based on various factors, including file size, file format, features and application software. Actual data rates may vary depending on operating environment and other factors. The export or re-export of hardware or software containing encryption may be regulated by the U.S. Department of Commerce, Bureau of Industry and Security (for more information, visit www.bis.doc.gov), and controlled for import and use outside of the U.S. Seagate reserves the right to change, without notice, product offerings or specifications.

Contents

| | |
|---|----------|
| Seagate® Technology Support Services | 4 |
|---|----------|

| | |
|------------------------------------|----------|
| 1.0 Introduction | 5 |
| 1.1 About the SATA interface | 5 |

| | |
|--|----------|
| 2.0 Drive Specifications | 6 |
| 2.1 Specification summary tables | 6 |
| 2.2 Formatted capacity | 7 |
| 2.2.1 LBA mode | 8 |
| 2.3 Default logical geometry | 8 |
| 2.4 Recording and interface technology | 8 |
| 2.5 Physical characteristics | 8 |
| 2.6 Seek time | 9 |
| 2.7 Start/stop times | 9 |
| 2.8 Power specifications | 9 |
| 2.8.1 Power consumption | 9 |
| 2.8.2 Conducted noise | 10 |
| 2.8.3 Voltage tolerance | 11 |
| 2.8.4 Power-management modes | 11 |
| 2.9 Environmental specifications | 12 |
| 2.9.1 Drive case temperature | 12 |
| 2.9.2 Temperature | 12 |
| 2.9.3 Temperature gradient | 12 |
| 2.9.4 Humidity | 12 |
| 2.9.5 Altitude | 12 |
| 2.9.6 Shock | 13 |
| 2.9.7 Non-operating vibration | 13 |
| 2.10 Acoustics | 13 |
| 2.10.1 Test for Prominent Discrete Tones (PDTs) | 13 |
| 2.11 Electromagnetic immunity | 14 |
| 2.12 MTBF and Warranty | 14 |
| 2.12.1 Storage | 14 |
| 2.13 Seagate® Rescue™ Data Recovery Service – 5-year coverage | 15 |
| 2.14 Agency certification | 17 |
| 2.14.1 Safety certification | 17 |
| 2.14.2 Electromagnetic compatibility | 17 |
| 2.14.3 FCC verification | 17 |
| 2.15 Environmental protection | 18 |
| 2.15.1 European Union Restriction of Hazardous Substances (RoHS) Directive | 18 |
| 2.15.2 China Restriction of Hazardous Substances (RoHS) Directive | 18 |
| 2.16 Corrosive environment | 18 |

| | |
|---|-----------|
| 3.0 Configuring and Mounting the Drive | 19 |
| 3.1 Handling and static-discharge precautions | 19 |
| 3.2 Configuring the drive | 19 |
| 3.3 SATA cables and connectors | 19 |
| 3.4 Drive mounting | 19 |

| | |
|--|-----------|
| 4.0 SATA Interface | 21 |
| 4.1 Hot-Plug compatibility | 21 |
| 4.2 SATA device plug connector pin definitions | 21 |
| 4.3 Supported ATA commands | 22 |
| 4.3.1 Identify Device command | 24 |
| 4.3.2 Set Features command | 27 |
| 4.3.3 S.M.A.R.T. commands | 28 |

Figures

| | | |
|----------|--|----|
| Figure 1 | Attaching SATA cabling..... | 19 |
| Figure 2 | Mounting dimensions (2-4TB models) | 20 |
| Figure 3 | Mounting dimensions (5-6TB model) | 20 |

Seagate® Technology Support Services

For information regarding online support and services, visit: <http://www.seagate.com/contacts/>

For information regarding Warranty Support, visit: <http://www.seagate.com/support/warranty-and-replacements/>

For information regarding data recovery services, visit: <http://www.seagate.com/services-software/data-recovery-services/>

For Seagate OEM, Distribution partner and reseller portals, visit: <http://www.seagate.com/partners>

1.0 Introduction

This manual describes the functional, mechanical and interface specifications for the following: Enterprise NAS HDD +SRS model drives:

+SRS models ST6000VN0011 ST5000VN0011 ST4000VN0011 ST3000VN0011 ST2000VN0011

These drives provide the following key features:

- Off-the-shelf compatibility
- Rated for 1.2M hours MTBF
- 24x7 capability
- Performance-tuned for RAID applications
- Balance technology to support multiple drives in a system
- Quiet acoustic performance
- Low activity and idle power
- Supports ATA8 streaming commands
- TGMR recording technology provides the drives with increased areal density.
- State-of-the-art cache and on-the-fly error-correction algorithms
- Native Command Queuing with command ordering to increase performance in demanding applications
- Full-track multiple-sector transfer capability without local processor intervention
- Compliant with RoHS requirements in China and Europe
- SeaTools[®] diagnostic software performs a drive self-test that eliminates unnecessary drive returns.
- Support for S.M.A.R.T. drive monitoring and reporting
- Supports latching SATA cables and connectors
- Worldwide Name (WWN) capability uniquely identifies the drive

1.1 About the SATA interface

The Serial ATA (SATA) interface provides several advantages over the traditional (parallel) ATA interface. The primary advantages include:

- Easy installation and configuration with true plug-and-play connectivity. It is not necessary to set any jumpers or other configuration options.
- Thinner and more flexible cabling for improved enclosure airflow and ease of installation.
- Scalability to higher performance levels.

In addition, SATA makes the transition from parallel ATA easy by providing legacy software support. SATA was designed to allow users to install a SATA host adapter and SATA disk drive in the current system and expect all of the existing applications to work as normal.

The SATA interface connects each disk drive in a point-to-point configuration with the SATA host adapter. There is no master/slave relationship with SATA devices like there is with parallel ATA. If two drives are attached on one SATA host adapter, the host operating system views the two devices as if they were both “masters” on two separate ports. This essentially means both drives behave as if they are Device 0 (master) devices.

The SATA host adapter and drive share the function of emulating parallel ATA device behavior to provide backward compatibility with existing host systems and software. The Command and Control Block registers, PIO and DMA data transfers, resets, and interrupts are all emulated.

The SATA host adapter contains a set of registers that shadow the contents of the traditional device registers, referred to as the Shadow Register Block. All SATA devices behave like Device 0 devices. For additional information about how SATA emulates parallel ATA, refer to the “Serial ATA International Organization: Serial ATA Revision 3.2”. The specification can be downloaded from www.sata-io.org.

Note

The host adapter may, optionally, emulate a master/slave environment to host software where two devices on separate SATA ports are represented to host software as a Device 0 (master) and Device 1 (slave) accessed at the same set of host bus addresses. A host adapter that emulates a master/slave environment manages two sets of shadow registers. This is not a typical SATA environment.

2.0 Drive Specifications

Unless otherwise noted, all specifications are measured under ambient conditions, at 25°C, and nominal power. For convenience, the phrases *the drive* and *this drive* are used throughout this manual to indicate the following drive models:

+SRS models ST6000VN0011 ST5000VN0011 ST4000VN0011 ST3000VN0011 ST2000VN0011

2.1 Specification summary tables

The specifications listed in [Table 1](#) are for quick reference. For details on specification measurement or definition, refer to the appropriate section of this manual.

Table 1 Drive specifications summary

| Drive Specification* | ST6000VN0011 | ST5000VN0011 | ST4000VN0011 | ST3000VN0011 | ST2000VN0011 |
|--|--|----------------|----------------|---------------|----------------|
| Formatted capacity (512 bytes/sector)** | 6000GB (6TB) | 5000GB (5TB) | 4000GB (4TB) | 3000GB (3TB) | 2000GB (2TB) |
| Guaranteed sectors | 11,721,045,168 | 9,767,541,168 | 7,814,037,168 | 5,860,533,168 | 3,907,029,168 |
| Heads | 12 | 10 | 8 | | 4 |
| Disks | 6 | 5 | 4 | | 2 |
| Bytes per sector (4K physical emulated at 512-byte sectors) | 4096 | | | | |
| Default sectors per track | 63 | | | | |
| Default read/write heads | 16 | | | | |
| Default cylinders | 16,383 | | | | |
| Recording density (max) | 1941kFCI | | | | |
| Track density (avg) | 340ktracks/in | | | | |
| Areal density (avg) | 642Gb/in ² | | | | |
| Internal data transfer rate (max) | 2347Mb/s | | | | |
| Average data rate, read/write (MB/s) | 154MB/s | | | | |
| Maximum sustained data rate, OD read (MB/s) | 216MB/s | | | | |
| ATA data-transfer modes supported | PIO modes: 0 to 4 Multiword DMA modes: 0 to 2 Ultra DMA modes 0 to 6 | | | | |
| I/O data-transfer rate (max) | 600MB/s | | | | |
| Cache buffer | 128MB | | | | |
| Height (max) | 26.1mm / 1.028 in | | | | |
| Width (max) | 101.6mm / 4.0 in (± 0.010 in) | | | | |
| Length (max) | 146.99mm / 5.787 in | | | | |
| Weight (typical) | 780g / 1.72 lb | 700g / 1.54 lb | 620g / 1.37 lb | | 540g / 1.19 lb |
| Average latency | 4.0ms | | | | |
| Power-on to ready (max) | 26.0s | | | | |
| Standby to ready (max) | <20.0s | | | | |
| Average seek, read (typical) Average seek, write (typical) | <8.5ms typical <9.5ms typical | | | | |
| Startup current (typical) 12V | <=1.8A | | | | |
| Voltage tolerance (including noise) | 5V: ±5% 12V: +10%/-7.5% | | | | |
| Non-Operating temperature (Ambient °C) | -40 to 70 | | | | |
| Operating temperature (Ambient min °C) | 5 | | | | |
| Operating temperature (Drive case max °C) | 60 | | | | |
| Temperature gradient | 20°C per hour max (operating) 30°C per hour max (nonoperating) | | | | |
| Relative humidity | 5% to 90% (operating) 5% to 95% (nonoperating) | | | | |
| Relative humidity gradient (max) | 30% per hour | | | | |

Table 1 Drive specifications summary

| Drive Specification* | ST6000VN0011 | ST5000VN0011 | ST4000VN0011 | ST3000VN0011 | ST2000VN0011 |
|---|---|--------------|--------------|--------------|--------------|
| Wet bulb temperature (max) | 26°C (operating) 29°C (nonoperating) | | | | |
| Altitude, operating | -304m to 3048m (-1000 ft to 10,000 ft) | | | | |
| Altitude, non-operating (below mean sea level, max) | -304m to 12,192m (-1000ft to 40,000+ ft) | | | | |
| Operational shock (max) | 70 Gs at 2ms (read) 40 Gs at 2ms (write) | | | | |
| Non-operational shock (max) | 300 Gs at 2ms | | | | |
| Vibration, operating | 2Hz to 22Hz: 0.25 Gs, Limited displacement 22Hz to 350Hz: 0.50 Gs 350Hz to 500Hz: 0.25 Gs | | | | |
| Vibration, non-operating | 5Hz to 22Hz: 3.0 Gs 22Hz to 350Hz: 3.0 Gs 350Hz to 500Hz: 3.0 Gs | | | | |
| Drive acoustics, sound power | | | | | |
| Idle*** | 2.5 bels (typical) 2.6 bels (max) | | | | |
| Seek | 2.6 bels (typical) 2.7 bels (max) | | | | |
| Non-recoverable read errors | 1 per 10 ¹⁵ bits read | | | | |
| Mean Time Between Failure (MTBF) | 1,200,000 hrs | | | | |
| Rated Workload | Average annualized workload rating: <300 TB/year. The AFR specification for the product assumes the I/O workload does not exceed the average annualized workload rate limit of 300 TB/year. Workloads exceeding the annualized rate may degrade the product AFR and impact reliability as experienced by the particular application. The average annualized workload rate limit is in units of TB per calendar year. | | | | |
| Warranty | To determine the warranty for a specific drive, use a web browser to access the following web page: http://www.seagate.com/support/warranty-and-replacements/ From this page, click on "Is my Drive under Warranty". Users will be asked to provide the drive serial number, model number (or part number) and country of purchase. The system will display the warranty information for the drive. | | | | |
| Load/unload cycles (25°C, 50% rel. humidity) | 600,000 at 25°C, 50% rel. humidity | | | | |
| Supports hotplug operation per the Serial ATA Revision 3.2 specification | Yes | | | | |

*All specifications above are based on native configurations.

** One GB equals one billion bytes and 1TB equals one trillion bytes when referring to hard drive capacity. Accessible capacity may vary depending on operating environment and formatting.

*** During periods of drive idle, some offline activity may occur according to the S.M.A.R.T. specification, which may increase acoustic and power to operational levels.

2.2 Formatted capacity

| Model | Formatted capacity* | Guaranteed sectors | Bytes per sector |
|--------------|---------------------|--------------------|------------------|
| ST6000VN0011 | 6000GB | 11,721,045,168 | 4K |
| ST5000VN0011 | 5000GB | 9,767,541,168 | |
| ST4000VN0011 | 4000GB | 7,814,037,168 | |
| ST3000VN0011 | 3000GB | 5,860,533,168 | |
| ST2000VN0011 | 2000GB | 3,907,029,168 | |

*One GB equals one billion bytes and 1TB equals one trillion bytes when referring to hard drive capacity. Accessible capacity may vary depending on operating environment and formatting.

2.2.1 LBA mode

When addressing these drives in LBA mode, all blocks (sectors) are consecutively numbered from 0 to $n-1$, where n is the number of guaranteed sectors as defined above.

See Section 4.3.1, "Identify Device command" (words 60-61 and 100-103) for additional information about 48-bit addressing support of drives with capacities over 137GB.

2.3 Default logical geometry

- **Cylinders:** 16,383
- **Read/write heads:** 16
- **Sectors per track:** 63

LBA mode

When addressing these drives in LBA mode, all blocks (sectors) are consecutively numbered from 0 to $n-1$, where n is the number of guaranteed sectors as defined above.

2.4 Recording and interface technology

| | |
|---|------|
| Interface | SATA |
| Recording method | TGMR |
| Recording density (kFCI) | 1941 |
| Track density (ktracks/inch avg) | 340 |
| Areal density (Gb/in²) | 642 |
| Internal data transfer rate (Mb/s max) | 2347 |
| Maximum sustained data transfer rate, OD read (MB/s) | 216 |
| Average data rate, read/write (MB/s) | 154 |
| I/O data-transfer rate (MB/s max) | 600 |

2.5 Physical characteristics

| | |
|-----------------------|------------------------------------|
| Maximum height | 26.11mm / 1.028 in |
| Maximum width | 101.6mm / 4.0 in (± 0.010 in) |
| Maximum length | 146.99mm / 5.787 in |
| Typical weight | |
| 6TB | 780g / 1.72 lb |
| 5TB | 700g / 1.54 lb |
| 4TB | 620g / 1.372 lb |
| 3TB | |
| 2TB | 540g / 1.19 lb |
| Cache buffer | 128MB |

2.6 Seek time

Seek measurements are taken with nominal power at 25°C ambient temperature. All times are measured using drive diagnostics. The specifications in the table below are defined as follows:

- Track-to-track seek time is an average of all possible single-track seeks in both directions.
- Average seek time is a true statistical random average of at least 5000 measurements of seeks between random tracks, less overhead.

| Typical seek times (ms) | Read | Write |
|-------------------------|------|-------|
| Track-to-track | 1.0 | 1.2 |
| Average | 8.5 | 9.5 |
| Average latency | 4.0 | |

| | |
|-------------|---|
| Note | These drives are designed to consistently meet the seek times represented in this manual. Physical seeks, regardless of mode (such as track-to-track and average), are expected to meet the noted values. However, due to the manner in which these drives are formatted, benchmark tests that include command overhead or measure logical seeks may produce results that vary from these specifications. |
|-------------|---|

2.7 Start/stop times

The start/stop times listed below.

| | |
|---------------------------------------|--------------------------|
| Power-on to ready (in seconds) | 15 (typical) 26 (max) |
| Standby to ready (in seconds) | 15 (typical) 20 (max) |
| Ready to spindle stop (in seconds) | 10 (typical) 11 (max) |

Time-to-ready may be longer than normal if the drive power is removed without going through normal OS powerdown procedures.

2.8 Power specifications

The drive receives DC power (+5V or +12V) through a native SATA power connector. Refer to [Figure 1 on page 19](#).

2.8.1 Power consumption

Power requirements for the drives are listed in [Table 2](#). Typical power measurements are based on an average of drives tested, under nominal conditions, using 5.0V and 12.0V input voltage at 25°C ambient temperature.

- Spinup power
Spinup power is measured from the time of power-on to the time that the drive spindle reaches operating speed.
- Read/write power and current
Read/write power is measured with the heads on track, based on a 16-sector write followed by a 32-ms delay, then a 16-sector read followed by a 32-ms delay.
- Operating power and current
Operating power is measured using 40 percent random seeks, 40 percent read/write mode (1 write for each 10 reads) and 20 percent drive idle mode.
- Idle mode power
Idle mode power is measured with the drive up to speed, with servo electronics active and with the heads in a random track location.
- Standby mode
During Standby mode, the drive accepts commands, but the drive is not spinning, and the servo and read/write electronics are in power-down mode.

Table 2 DC power requirements

| Power dissipation (6/5TB models) | Avg (25° C) | Avg 5V typ | Avg 12V typ |
|----------------------------------|-------------|------------|-------------|
| Spinup | — | — | <=1.8A |
| Idle* † | 7.20W | 0.20A | 0.52A |
| Operating | 9.00W | 0.24A | 0.65A |
| Standby | 0.60W | 0.12A | 0.01A |
| Sleep | 0.60W | 0.12A | 0.01A |

Table 3 DC power requirements

| Power dissipation (4/3TB models) | Avg (25° C) | Avg 5V typ | Avg 12V typ |
|----------------------------------|-------------|------------|-------------|
| Spinup | — | — | <=1.8A |
| Idle* † | 5.90W | 0.30A | 0.36A |
| Operating | 6.70W | 0.357A | 0.41A |
| Standby | 0.60W | 0.12A | 0.01A |
| Sleep | 0.60W | 0.12A | 0.01A |

Table 4 DC power requirements

| Power dissipation (2TB models) | Avg (25° C) | Avg 5V typ | Avg 12V typ |
|--------------------------------|-------------|------------|-------------|
| Spinup | — | — | <=1.8A |
| Idle* † | 3.70W | 0.18A | 0.23A |
| Operating | 5.30W | 0.355A | 0.297A |
| Standby | 0.60W | 0.12A | 0.01A |
| Sleep | 0.60W | 0.12A | 0.01A |

*During periods of drive idle, some offline activity may occur according to the S.M.A.R.T. specification, which may increase acoustic and power to operational levels.

†5W IDLE with DIPLM Enabled

2.8.2 Conducted noise

Input noise ripple is measured at the host system power supply across an equivalent 80-ohm resistive load on the +12 volt line or an equivalent 15-ohm resistive load on the +5 volt line.

- Using 12-volt power, the drive is expected to operate with a maximum of 120 mV peak-to-peak square-wave injected noise at up to 10MHz.
- Using 5-volt power, the drive is expected to operate with a maximum of 100 mV peak-to-peak square-wave injected noise at up to 10MHz.

Note

Equivalent resistance is calculated by dividing the nominal voltage by the typical RMS read/write current.

2.8.3 Voltage tolerance

Voltage tolerance (including noise):

- 5V
±5%
- 12V
+10%/-7.5%

2.8.4 Power-management modes

The drive provides programmable power management to provide greater energy efficiency. In most systems, users can control power management through the system setup program. The drive features the following power-management modes:

| Power modes | Heads | Spindle | Buffer |
|-------------|----------|----------|----------|
| Active | Tracking | Rotating | Enabled |
| Idle | Tracking | Rotating | Enabled |
| Standby | Parked | Stopped | Enabled |
| Sleep | Parked | Stopped | Disabled |

- Active mode
The drive is in Active mode during the read/write and seek operations.
- Idle mode
The buffer remains enabled, and the drive accepts all commands and returns to Active mode any time disk access is necessary.
- Standby mode
The drive enters Standby mode when the host sends a Standby Immediate command. If the host has set the standby timer, the drive can also enter Standby mode automatically after the drive has been inactive for a specifiable length of time. The standby timer delay is established using a Standby or Idle command. In Standby mode, the drive buffer is enabled, the heads are parked and the spindle is at rest. The drive accepts all commands and returns to Active mode any time disk access is necessary.
- Sleep mode
The drive enters Sleep mode after receiving a Sleep command from the host. In Sleep mode, the drive buffer is disabled, the heads are parked and the spindle is at rest. The drive leaves Sleep mode after it receives a Hard Reset or Soft Reset from the host. After receiving a reset, the drive exits Sleep mode and enters Standby mode with all current translation parameters intact.
- Idle and Standby timers
Each time the drive performs an Active function (read, write or seek), the standby timer is reinitialized and begins counting down from its specified delay times to zero. If the standby timer reaches zero before any drive activity is required, the drive makes a transition to Standby mode. In both Idle and Standby mode, the drive accepts all commands and returns to Active mode when disk access is necessary.

2.9 Environmental specifications

This section provides the temperature, humidity, shock, and vibration specifications for NAS HDDs. This section provides the temperature, humidity, shock, and vibration specifications.

2.9.1 Drive case temperature

Ambient temperature is defined as the temperature of the environment immediately surrounding the drive. Above 1000ft. (305 meters), the maximum temperature is derated linearly by 1°C every 1000 ft. Drive case temperature should be measured at the location indicated in [Figure 3 on page 20](#).

2.9.2 Temperature

| | |
|--|-----------|
| Non-Operating (Ambient °C) | -40 to 70 |
| Operating temperature (Ambient min °C) | 5 |
| Operating temperature (Drive case max °C) | 60 |

2.9.3 Temperature gradient

| | |
|----------------------|---|
| Operating | 20°C per hour (36°F per hour max), without condensation |
| Non-operating | 30°C per hour (54°F per hour max) |

2.9.4 Humidity

2.9.4.1 Relative humidity

| | |
|---------------------|---|
| Operating | 5% to 90% non-condensing (30% per hour max) |
| Nonoperating | 5% to 95% non-condensing (30% per hour max) |

2.9.4.2 Wet bulb temperature

| | |
|----------------------|-----------------------|
| Operating | 26°C / 78.8°F (rated) |
| Non-operating | 29°C / 84.2°F (rated) |

2.9.5 Altitude

| | |
|----------------------|---|
| Operating | -61m to 3048m (-200 ft. to 10,000 ft.) |
| Non-operating | -61m to 12,192m (-200 ft. to 40,000+ ft.) |

2.9.6 Shock

All shock specifications assume that the drive is mounted securely with the input shock applied at the drive mounting screws. Shock may be applied in the X, Y or Z axis.

2.9.6.1 Operating shock

These drives comply with the performance levels specified in this document when subjected to a maximum operating shock of 70 Gs based on half-sine shock pulses of 2ms during read operations. Shocks should not be repeated more than two times per second.

2.9.6.2 Non-operating shock

The non-operating shock level that the drive can experience without incurring physical damage or degradation in performance when subsequently put into operation is 300 Gs based on a non-repetitive half-sine shock pulse of 2ms duration.

2.9.6.3 Operating vibration

The maximum vibration levels that the drive may experience while meeting the performance standards specified in this document are specified below.

| | |
|----------------|--------------------------------|
| 2Hz to 22Hz | 0.25 Gs (Limited displacement) |
| 22Hz to 350Hz | 0.50 Gs |
| 350Hz to 500Hz | 0.25 Gs |

All vibration specifications assume that the drive is mounted securely with the input vibration applied at the drive mounting screws. Vibration may be applied in the X, Y or Z axis. Throughput may vary if improperly mounted.

2.9.7 Non-operating vibration

The maximum non-operating vibration levels that the drive may experience without incurring physical damage or degradation in performance when subsequently put into operation are specified below.

| | |
|----------------|-------------------------------|
| 5Hz to 22Hz | 3.0 Gs (Limited displacement) |
| 22Hz to 350Hz | 3.0 Gs |
| 350Hz to 500Hz | 3.0 Gs |

2.10 Acoustics

Drive acoustics are measured as overall A-weighted acoustic sound power levels (no pure tones). All measurements are consistent with ISO document 7779. Sound power measurements are taken under essentially free-field conditions over a reflecting plane. For all tests, the drive is oriented with the cover facing upward.

Note

For seek mode tests, the drive is placed in seek mode only. The number of seeks per second is defined by the following equation: (Number of seeks per second = $0.4 / (\text{average latency} + \text{average access time})$)

Table 5 Fluid Dynamic Bearing (FDB) motor acoustics

| Idle* | Seek |
|-------------------------------------|-------------------------------------|
| 2.5 bels (typical) / 2.6 bels (max) | 2.6 bels (typical) / 2.7 bels (max) |

*During periods of drive idle, some offline activity may occur according to the S.M.A.R.T. specification, which may increase acoustic and power to operational levels.

2.10.1 Test for Prominent Discrete Tones (PDTs)

Seagate follows the ECMA-74 standards for measurement and identification of PDTs. An exception to this process is the use of the absolute threshold of hearing. Seagate uses this threshold curve (originated in ISO 389-7) to discern tone audibility and to compensate for the inaudible components of sound prior to computation of tone ratios according to Annex D of the ECMA-74 standards.

2.11 Electromagnetic immunity

When properly installed in a representative host system, the drive operates without errors or degradation in performance when subjected to the radio frequency (RF) environments defined in [Table 6](#).

Table 6 Radio frequency environments

| Test | Description | Performance level | Reference standard |
|---------------------------|---|-------------------|---------------------------------|
| Electrostatic discharge | Contact, HCP, VCP: ± 4 kV; Air: ± 8 kV | B | EN61000-4-2: 95 |
| Radiated RF immunity | 80MHz to 1,000MHz, 3 V/m, 80% AM with 1kHz sine 900MHz, 3 V/m, 50% pulse modulation @ 200Hz | A | EN61000-4-3: 96 ENV50204: 95 |
| Electrical fast transient | ± 1 kV on AC mains, ± 0.5 kV on external I/O | B | EN61000-4-4: 95 |
| Surge immunity | ± 1 kV differential, ± 2 kV common, AC mains | B | EN61000-4-5: 95 |
| Conducted RF immunity | 150kHz to 80MHz, 3 Vrms, 80% AM with 1kHz sine | A | EN61000-4-6: 97 |
| Voltage dips, interrupts | 0% open, 5 seconds 0% short, 5 seconds 40%, 0.10 seconds 70%, 0.01 seconds | C C C B | EN61000-4-11: 94 |

2.12 MTBF and Warranty

The product will achieve a Mean Time Between Failure Rate (MTBF) of 1,200,000 hours when operated in an environment of ambient air temperatures of 25°C. Operation at temperatures outside the specifications shown in Section 2.9, "Environmental specifications," may decrease the product MTBF. MTBF is a population statistic that is not relevant to individual units.

MTBF specifications are based on the following assumptions for NAS environments:

- 8760 power-on hours per year
- 10,000 average motor start/stop cycles per year
- Operations at nominal voltages
- Temperatures outside the specifications in Section 2.9.2 may reduce the product reliability.

Operation at excessive I/O duty cycle may degrade product reliability. The NAS environment of power-on hours, temperature, and I/O duty cycle affect the product MTBF. The MTBF will be degraded if used in an enterprise application.

2.12.1 Storage

Maximum storage periods are 180 days within original unopened Seagate shipping package or 60 days unpackaged within the defined non-operating limits (refer to environmental section in this manual). Storage can be extended to 1 year packaged or unpackaged under optimal environmental conditions (25°C, <40% relative humidity non-condensing, and non-corrosive environment). During any storage period the drive non-operational temperature, humidity, wet bulb, atmospheric conditions, shock, vibration, magnetic and electrical field specifications should be followed.

2.13 Seagate® Rescue™ Data Recovery Service – 5-year coverage (concurrent with bare drive warranty)

If you suffer a data loss event within the three year Seagate Rescue Data Recovery warranty period, and you are eligible to participate in and submit a case under the Rescue program, contact SRS at (1-800-723-1183) in the US, or if you are calling from outside the US please visit our website for numbers in your local and language: <http://www.seagate.com/contacts/contact-numbers/>.

In addition, you may visit <http://rescueandreplace.seagate.com/contact.jsp> to obtain information regarding how to contact a recovery expert online or by telephone from your location. An SRS representative will review your case to confirm your eligibility, and to assess whether your data may be recoverable by remote recovery services or whether you will need to send your device to SRS for in-lab servicing.

Rescue™ General Terms

These Rescue™ General Terms together with the Rescue™ FAQ's make up the Rescue™ Program Terms. By submitting a case under the Rescue™ program ("Program") you agree to be bound by the Program Terms, including these General Terms and the FAQ. You must be a legal resident of the US to participate in the Program.

Communications. All communications relating to your request will be available on our web site in your account and sent via e-mail to the address you provide to us unless you request, in writing, to receive such communications via regular mail.

Personal Data. You must provide true, accurate and complete information about yourself as prompted by the request form, including, without limitation, your name, address, e-mail address, and telephone number, as applicable (collectively, "Personal Data"). You must maintain and promptly update your Personal Data. You acknowledge that we may send you important information and notices regarding your requests by e-mail and that we shall have no liability associated with or arising from your failure to maintain accurate Personal Data.

Capacity; Legal Rights; Indemnity. You represent to SRS that you are of the legal age of majority in your state or country of residence, with the full capacity to agree to these Program Terms. You warrant that you are the legal owner or the authorized representative of the legal owner of the device you submit to SRS (the "Device") and data. You warrant that the data on the Device is legal and that you have the unrestricted legal right to (a) give us remote access to the data, (b) have the data recovered and reproduced on a backup medium, (c) receive the recovered data, and (d) agree to these Program Terms. You will defend and indemnify us (including our directors, officers, employees, agents, delegates, and contractors) from any claims or actions relating to the Device or data, or your rights or lack of rights thereto.

Confidentiality. We will protect the confidentiality of your data against unauthorized disclosure using the same degree of care as we use to protect our own confidential information.

Disclaimer of Warranties, Representations and Guarantees. WE PROVIDE THE PROGRAM AND ANY SERVICES PROVIDED OR ATTEMPTED HEREUNDER "AS IS," WITH ALL FAULTS, AT YOUR SOLE RISK. WE DO NOT EXTEND ANY EXPRESS WARRANTIES, REPRESENTATIONS, CONDITIONS OR GUARANTEES REGARDING OUR RESCUE SERVICES OR ANY RESULTS THEREOF. TO THE MAXIMUM EXTENT PERMITTED BY APPLICABLE LAW AND SUBJECT TO ANY STATUTORY WARRANTIES THAT CANNOT BE EXCLUDED, WE EXPRESSLY DISCLAIM ALL IMPLIED WARRANTIES, INCLUDING ANY IMPLIED WARRANTY OR CONDITION OF MERCHANTABILITY, WARRANTY OF FITNESS FOR A PARTICULAR PURPOSE, OR WARRANTY OF ACCURACY OR COMPLETENESS WITH RESPECT TO THIS PROGRAM AND SERVICES. This Program and Disclaimer is unrelated to, and does not affect any warranties relating to your Device that we or the seller may have extended to you.

Limitation of Liability. WE WILL NOT BE LIABLE FOR ANY HARM CAUSED, UNLESS YOU PROVE THAT WE CAUSED SUCH HARM INTENTIONALLY. WITHOUT LIMITING THE GENERALITY OF THE FOREGOING, WE WILL NOT BE LIABLE FOR THE CONDITION, EXISTENCE, OR LOSS OF THE DATA YOU SEND US OR THE DATA WE RECOVER (IF ANY), ANY LOSS OF REVENUE OR LOSS OF PROFITS, OR ANY INDIRECT, SPECIAL, INCIDENTAL, OR CONSEQUENTIAL DAMAGES HOWEVER CAUSED. TO THE MAXIMUM EXTENT PERMITTED BY APPLICABLE LAW, THIS LIMITATION SHALL APPLY TO ANY AND ALL DAMAGES, REGARDLESS OF THE LEGAL THEORY ON WHICH THEY ARE ASSERTED (INCLUDING, WITHOUT LIMITATION, CONTRACT, BREACH OF CONTRACT, AND TORT), AND REGARDLESS OF WHETHER WE HAVE BEEN ADVISED OF THE POSSIBILITY OF LOSS OR DAMAGES - UNLESS YOU PROVE THAT SRS CAUSED DAMAGES TO YOU INTENTIONALLY. TO THE MAXIMUM EXTENT PERMITTED BY APPLICABLE LAW, THE AMOUNT OF OUR LIABILITY WILL NOT EXCEED THE TOTAL PRICE YOU ACTUALLY PAY FOR THE DEVICE, THE ESSENTIAL PURPOSE OF WHICH IS TO LIMIT OUR LIABILITY ARISING FROM OR RELATED TO THE PROGRAM AND ANY DATA RECOVERY SERVICES. THIS ALLOCATION OF RISK IS REFLECTED IN THE PRICE CHARGED FOR THIS PROGRAM OR SERVICES, IF ANY. YOU ACKNOWLEDGE THAT THE PRICE OF THIS PROGRAM WOULD BE MUCH GREATER IF WE UNDERTOOK MORE EXTENSIVE LIABILITY. THIS PARAGRAPH WILL APPLY NOTWITHSTANDING ANY OTHER PROVISIONS IN THESE TERMS, OR THE FAILURE OF ANY REMEDY.

Compliance with Laws. You agree to comply with all such laws and regulations and all other applicable laws, statutes, ordinances and regulations relating to the Program. You acknowledge that violations of these Program Terms could subject you to criminal or civil penalties. The goods licensed or provided, or services provided, through the Program, which may include technology and software, are subject to the customs and export control laws and regulations of the U.S. and may also be subject to the customs and export laws and regulations of the country in which the products are manufactured or received. Further, under U.S. law, such goods may not be sold, leased or otherwise transferred to restricted countries, or used by a restricted end-user or an end-user engaged in activities related to weapons of mass destruction including, without limitation, activities related to designing, developing, producing or using nuclear weapons, materials, or facilities, missiles or supporting missile projects, or chemical or biological weapons. You acknowledge you are not a restricted end-user or involved in any of the restricted activities above, and that you will comply with and abide by these laws and regulations. Seagate reserves the right to refuse service to or the return of any storage devices that have been determined to violate these regulations.

Cancellation. You may cancel the Program at any time by contacting SRS at 1-800-SEAGATE (1-800-475-0143) in the US, or at such other number available at <http://services.seagate.com/contact.aspx>, or you simply may refrain from submitting a request for Rescue services. These Program Terms remain applicable to your and SRS's rights and obligations with respect to any services requested by you under this Program.

Assignment. You may not assign your rights or obligations under these Program Terms without SRS' express written consent.

Dispute Resolution. The parties will attempt to resolve any dispute arising out of or related to these Program Terms or any data recovery services requested or attempted hereunder through good faith negotiation. To the extent permitted by applicable law, if the parties are unable to resolve the dispute through good faith negotiation, then the dispute will be submitted to final and binding arbitration with the Judicial Arbitration and Mediation Services. Each party will bear its own costs in arbitration, provided that Seagate reserves the right, in its discretion, to pre-pay certain fees you may incur in connection with the arbitration subject to refund if you do not prevail. **Both parties waive their rights to a jury trial.** All proceedings will take place in Santa Clara County, California, USA. The laws of the State of California will exclusively govern these Program Terms and our provision of any data recovery services, without regard to California's conflicts of laws rules. You consent to the exclusive jurisdiction of the courts located in Santa Clara County, California, USA.

Severability. If any provision of these Program Terms is held invalid, illegal or unenforceable, such provision shall be enforced to the fullest extent permitted by applicable law and the validity, legality and enforceability of the remaining provisions shall not be affected thereby.

Legal Effect. These Program Terms describe certain legal rights. You may have other rights under applicable law. These Program Terms do not change your rights under applicable law if such laws do not permit these Program Terms to do so. Also, the Program and these Program Terms are in addition and unrelated to any rights you may have under a Seagate warranty statement.

SRS Companies. The following SRS companies may provide the services described in these Program Terms: (a) Seagate Technology LLC, with offices at 3101 Jay Street, Suite 110, Santa Clara, California 95054; (b) Seagate Technology Canada Inc., with offices at 2421 Bristol Circle, Suite A100, Oakville, Ontario, Canada L6H 5S9; and/or (c) Seagate Technology (Netherlands) B.V., with offices at Koolhovenlaan 1, 1119 PA, Schiphol-Rijk, The Netherlands.

2.14 Agency certification

2.14.1 Safety certification

These products are certified to meet the requirements of UL60950-1, CSA60950-1 and EN60950 and so marked as to the certify agency.

2.14.2 Electromagnetic compatibility

Hard drives that display the CE mark comply with the European Union (EU) requirements specified in the Electromagnetic Compatibility Directive (2004/108/EC) as put into place 20 July 2007. Testing is performed to the levels specified by the product standards for Information Technology Equipment (ITE). Emission levels are defined by EN 55022, Class B and the immunity levels are defined by EN 55024.

Drives are tested in representative end-user systems. Although CE-marked Seagate drives comply with the directives when used in the test systems, we cannot guarantee that all systems will comply with the directives. The drive is designed for operation inside a properly designed enclosure, with properly shielded I/O cable (if necessary) and terminators on all unused I/O ports. Computer manufacturers and system integrators should confirm EMC compliance and provide CE marking for their products.

Korean RRL

If these drives have the Korean Communications Commission (KCC) logo, they comply with paragraph 1 of Article 11 of the Electromagnetic Compatibility control Regulation and meet the Electromagnetic Compatibility (EMC) Framework requirements of the Radio Research Laboratory (RRL) Communications Commission, Republic of Korea.

These drives have been tested and comply with the Electromagnetic Interference/Electromagnetic Susceptibility (EMI/EMS) for Class B products. Drives are tested in a representative, end-user system by a Korean-recognized lab.

Australian RCM Compliance Mark

Models displayed with the RCM compliance mark, comply with the mandatory standards as per the Australian Communications and Media Authority (AMCA) Electromagnetic Compatibility (EMC) regulatory arrangement.

2.14.3 FCC verification

These drives are intended to be contained solely within a personal computer or similar enclosure (not attached as an external device). As such, each drive is considered to be a subassembly even when it is individually marketed to the customer. As a subassembly, no Federal Communications Commission verification or certification of the device is required.

Seagate has tested this device in enclosures as described above to ensure that the total assembly (enclosure, disk drive, motherboard, power supply, etc.) does comply with the limits for a Class B computing device, pursuant to Subpart J, Part 15 of the FCC rules. Operation with non-certified assemblies is likely to result in interference to radio and television reception.

Radio and television interference. This equipment generates and uses radio frequency energy and if not installed and used in strict accordance with the manufacturer's instructions, may cause interference to radio and television reception.

This equipment is designed to provide reasonable protection against such interference in a residential installation. However, there is no guarantee that interference will not occur in a particular installation. If this equipment does cause interference to radio or television, which can be determined by turning the equipment on and off, users are encouraged to try one or more of the following corrective measures:

- Reorient the receiving antenna.
- Move the device to one side or the other of the radio or TV.
- Move the device farther away from the radio or TV.
- Plug the computer into a different outlet so that the receiver and computer are on different branch outlets.

If necessary, users should consult the dealer or an experienced radio/television technician for additional suggestions. Users may find helpful the following booklet prepared by the Federal Communications Commission: *How to Identify and Resolve Radio-Television Interference Problems*. This booklet is available from the Superintendent of Documents, U.S. Government Printing Office, Washington, DC 20402. Refer to publication number 004-000-00345-4.

2.15 Environmental protection

Seagate designs its products to meet environmental protection requirements worldwide, including regulations restricting certain chemical substances.

2.15.1 European Union Restriction of Hazardous Substances (RoHS) Directive

The European Union Restriction of Hazardous Substances (RoHS) Directive, restricts the presence of chemical substances, including Lead, Cadmium, Mercury, Hexavalent Chromium, PBB and PBDE, in electronic products, effective July 2006. This drive is manufactured with components and materials that comply with the RoHS Directive.

2.15.2 China Restriction of Hazardous Substances (RoHS) Directive 中国限制危险物品的指令

This product has an Environmental Protection Use Period (EPUP) of 20 years. The following table contains information mandated by China's "Marking Requirements for Control of Pollution Caused by Electronic Information Products" Standard.

该产品具有20年的环境保护使用周期（EPUP）。下表包含了中国“电子产品所导致的污染的控制的记号要求”所指定的信息。



| Name of Parts 部件名称 | Toxic or Hazardous Substances or Elements 有毒有害物质或元素 | | | | | |
|-----------------------|---|----------------------|----------------------|---|---|---|
| | Lead 铅 (Pb) | Mercury 汞 (Hg) | Cadmium 镉 (Cd) | Hexavalent Chromium 六价铬 (Cr6+) | Polybrominated Diphenyl 多溴联苯 (PBB) | Polybrominated Diphenyl Ether 多溴二苯醚 (PBDE) |
| PCBA | X | O | O | O | O | O |
| HDA | X | O | O | O | O | O |

"O" indicates the hazardous and toxic substance content of the part (at the homogeneous material level) is lower than the threshold defined by the China RoHS MCV Standard.

“O”表示该部件（于同类物品程度上）所含的危险和有毒物质低于中国RoHS MCV标准所定义的门槛值。

"X" indicates the hazardous and toxic substance content of the part (at the homogeneous material level) is over the threshold defined by the China RoHS MCV Standard.

“X”表示该部件（于同类物品程度上）所含的危险和有毒物质超出中国RoHS MCV标准所定义的门槛值。

2.16 Corrosive environment

Seagate electronic drive components pass accelerated corrosion testing equivalent to 10 years exposure to light industrial environments containing sulfurous gases, chlorine and nitric oxide, classes G and H per ASTM B845. However, this accelerated testing cannot duplicate every potential application environment. Users should use caution exposing any electronic components to uncontrolled chemical pollutants and corrosive chemicals as electronic drive component reliability can be affected by the installation environment. The silver, copper, nickel and gold films used in Seagate products are especially sensitive to the presence of sulfide, chloride, and nitrate contaminants. Sulfur is found to be the most damaging. In addition, electronic components should never be exposed to condensing water on the surface of the printed circuit board assembly (PCBA) or exposed to an ambient relative humidity greater than 95%. Materials used in cabinet fabrication, such as vulcanized rubber, that can outgas corrosive compounds should be minimized or eliminated. The useful life of any electronic equipment may be extended by replacing materials near circuitry with sulfide-free alternatives.

3.0 Configuring and Mounting the Drive

This section contains the specifications and instructions for configuring and mounting the drive.

3.1 Handling and static-discharge precautions

After unpacking, and before installation, the drive may be exposed to potential handling and electrostatic discharge (ESD) hazards. Observe the following standard handling and static-discharge precautions:

Caution

- Before handling the drive, put on a grounded wrist strap, or ground oneself frequently by touching the metal chassis of a computer that is plugged into a grounded outlet. Wear a grounded wrist strap throughout the entire installation procedure.
- Handle the drive by its edges or frame *only*.
- The drive is extremely fragile—handle it with care. Do not press down on the drive top cover.
- Always rest the drive on a padded, antistatic surface until mounting it in the computer.
- Do not touch the connector pins or the printed circuit board.
- Do not remove the factory-installed labels from the drive or cover them with additional labels. Removal voids the warranty. Some factory-installed labels contain information needed to service the drive. Other labels are used to seal out dirt and contamination.

3.2 Configuring the drive

Each drive on the SATA interface connects point-to-point with the SATA host adapter. There is no master/slave relationship because each drive is considered a master in a point-to-point relationship. If two drives are attached on one SATA host adapter, the host operating system views the two devices as if they were both “masters” on two separate ports. Both drives behave as if they are Device 0 (master) devices.

SATA drives are designed for easy installation. It is usually not necessary to set any jumpers on the drive for proper operation; however, if users connect the drive and receive a “drive not detected” error, the SATA-equipped motherboard or host adapter may use a chipset that does not support SATA speed autonegotiation.

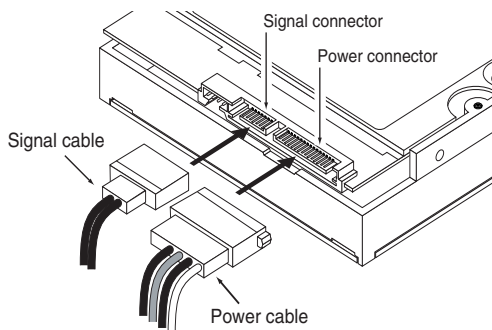
3.3 SATA cables and connectors

The SATA interface cable consists of four conductors in two differential pairs, plus three ground connections. The cable size may be 30 to 26 AWG with a maximum length of one meter (39.37 inches). See [Table 7](#) for connector pin definitions. Either end of the SATA signal cable can be attached to the drive or host.

For direct backplane connection, the drive connectors are inserted directly into the host receptacle. The drive and the host receptacle incorporate features that enable the direct connection to be hot pluggable and blind mateable.

For installations which require cables, users can connect the drive as illustrated in [Figure 1](#).

Figure 1 Attaching SATA cabling



Each cable is keyed to ensure correct orientation. Enterprise NAS HDD v2 drives support latching SATA connectors.

3.4 Drive mounting

Users can mount the drive in any orientation using four screws in the side-mounting holes or four screws in the bottom-mounting holes. Refer to [Figure 2](#) for drive mounting dimensions. Follow these important mounting precautions when mounting the drive:

- Allow a minimum clearance of 0.030 inches (0.76mm) around the entire perimeter of the drive for cooling.
- Use only 6-32 UNC mounting screws.
- The screws should be inserted no more than 0.120 inch (3.05mm) into the bottom or side mounting holes.
- Do not overtighten the mounting screws (maximum torque: 6 inch-lb).

Figure 2 Mounting dimensions (2-4TB models)

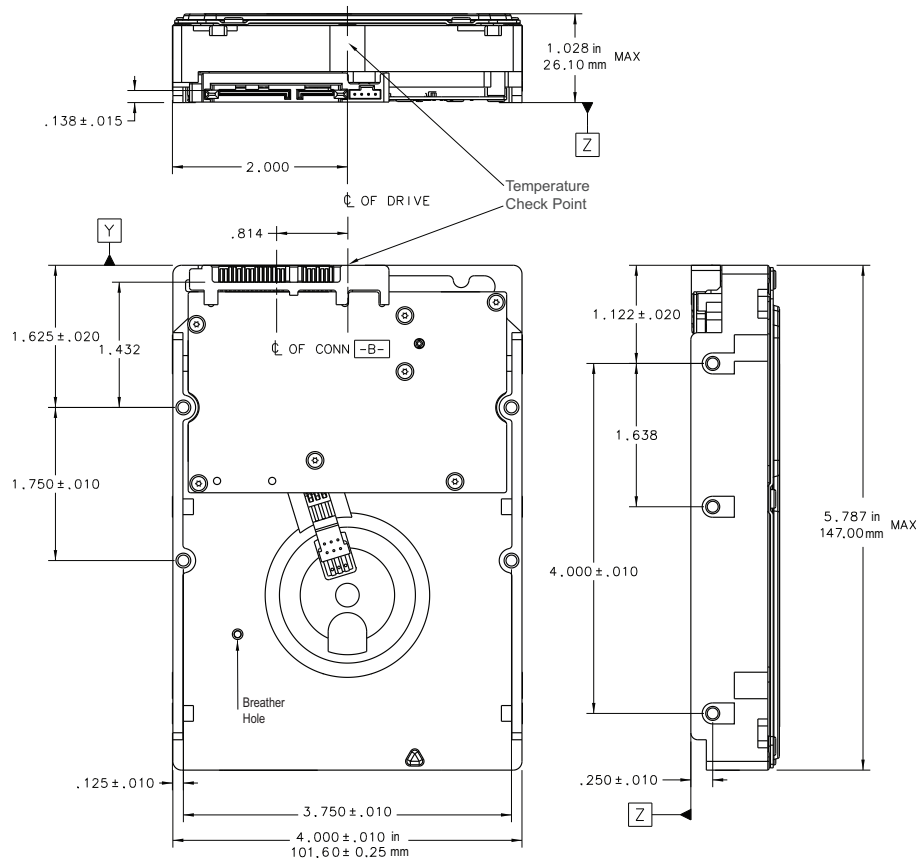
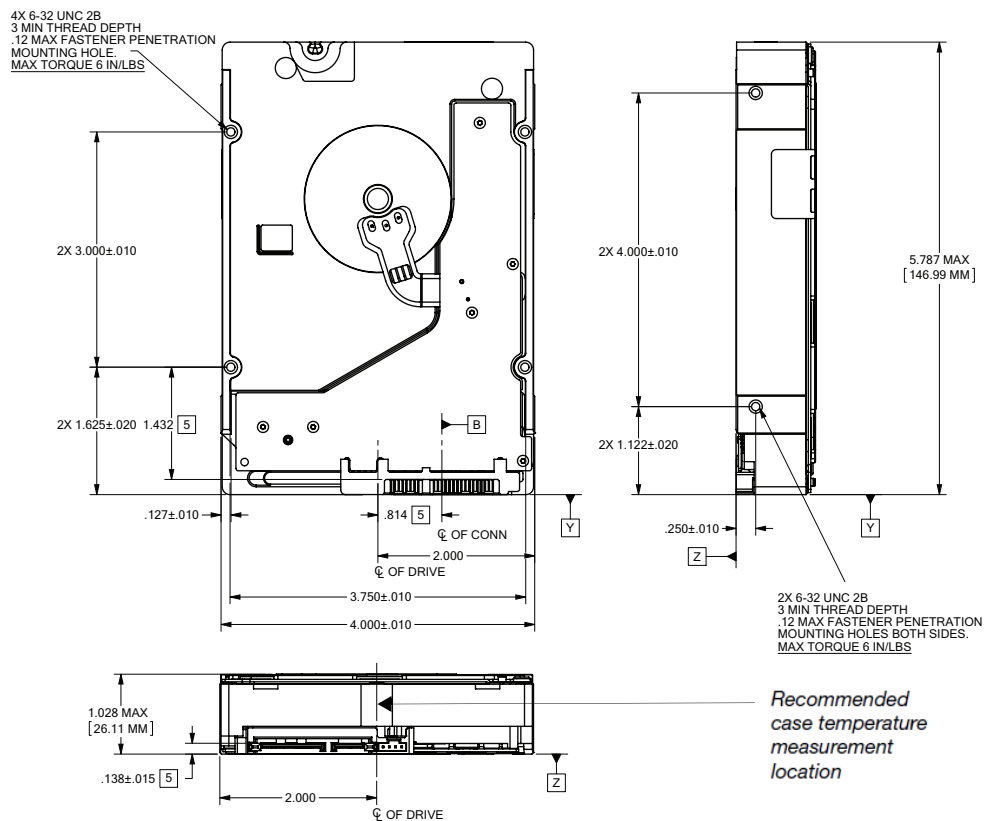


Figure 3 Mounting dimensions (5-6TB model)



4.0 SATA Interface

These drives use the industry-standard Serial ATA (SATA) interface that supports FIS data transfers. It supports ATA programmed input/output (PIO) modes 0 to 4; multiword DMA modes 0 to 2, and Ultra DMA modes 0 to 6.

For detailed information about the SATA interface, refer to the “Serial ATA: High Speed Serialized AT Attachment” specification.

4.1 Hot-Plug compatibility

Enterprise NAS HDD v2 drives incorporate connectors which enable users to hot plug these drives in accordance with the SATA Revision 3.2 specification. This specification can be downloaded from www.serialata.org.

4.2 SATA device plug connector pin definitions

Table 7 summarizes the signals on the SATA interface and power connectors.

Table 7 SATA connector pin definitions

| Segment | Pin | Function | Definition |
|---|-----|----------------------|---|
| Signal | S1 | Ground | 2nd mate |
| | S2 | A+ | Differential signal pair A from Phy |
| | S3 | A- | |
| | S4 | Ground | 2nd mate |
| | S5 | B- | Differential signal pair B from Phy |
| | S6 | B+ | |
| | S7 | Ground | 2nd mate |
| Key and spacing separate signal and power segments | | | |
| Power | P1 | V ₃₃ | 3.3V power |
| | P2 | V ₃₃ | 3.3V power |
| | P3 | V ₃₃ | 3.3V power, pre-charge, 2nd mate |
| | P4 | Ground | 1st mate |
| | P5 | Ground | 2nd mate |
| | P6 | Ground | 2nd mate |
| | P7 | V ₅ | 5V power, pre-charge, 2nd mate |
| | P8 | V ₅ | 5V power |
| | P9 | V ₅ | 5V power |
| | P10 | Ground | 2nd mate |
| | P11 | Ground or LED signal | If grounded, drive does not use deferred spin |
| | P12 | Ground | 1st mate. |
| | P13 | V ₁₂ | 12V power, pre-charge, 2nd mate |
| | P14 | V ₁₂ | 12V power |
| | P15 | V ₁₂ | 12V power |

Notes

- All pins are in a single row, with a 1.27 mm (0.050 in) pitch.
- The comments on the mating sequence apply to the case of backplane blindmate connector only. In this case, the mating sequences are:
 - the ground pins P4 and P12.
 - the pre-charge power pins and the other ground pins.
 - the signal pins and the rest of the power pins.
- There are three power pins for each voltage. One pin from each voltage is used for pre-charge when installed in a blind-mate backplane configuration.
 - All used voltage pins (V_x) must be terminated.

4.3 Supported ATA commands

The following table lists SATA standard commands that the drive supports.

For a detailed description of the ATA commands, refer to the Serial ATA International Organization: Serial ATA Revision 3.2 (<http://www.sata-io.org>).

See “S.M.A.R.T. commands” on page 28 for details and subcommands used in the S.M.A.R.T. implementation.

Table 8 SATA standard commands

| Command name | Command code (in hex) |
|-------------------------------------|-----------------------------------|
| Check Power Mode | E5 _H |
| Device Configuration Freeze Lock | B1 _H / C1 _H |
| Device Configuration Identify | B1 _H / C2 _H |
| Device Configuration Restore | B1 _H / C0 _H |
| Device Configuration Set | B1 _H / C3 _H |
| Device Reset | 08 _H |
| Download Microcode | 92 _H |
| Execute Device Diagnostics | 90 _H |
| Flush Cache | E7 _H |
| Flush Cache Extended | EA _H |
| Format Track | 50 _H |
| Identify Device | EC _H |
| Idle | E3 _H |
| Idle Immediate | E1 _H |
| Initialize Device Parameters | 91 _H |
| Read Buffer | E4 _H |
| Read DMA | C8 _H |
| Read DMA Extended | 25 _H |
| Read DMA Without Retries | C9 _H |
| Read Log Ext | 2F _H |
| Read Multiple | C4 _H |
| Read Multiple Extended | 29 _H |
| Read Native Max Address | F8 _H |
| Read Native Max Address Extended | 27 _H |
| Read Sectors | 20 _H |
| Read Sectors Extended | 24 _H |
| Read Sectors Without Retries | 21 _H |
| Read Verify Sectors | 40 _H |
| Read Verify Sectors Extended | 42 _H |
| Read Verify Sectors Without Retries | 41 _H |
| Recalibrate | 10 _H |
| Security Disable Password | F6 _H |
| Security Erase Prepare | F3 _H |
| Security Erase Unit | F4 _H |
| Security Freeze | F5 _H |
| Security Set Password | F1 _H |
| Security Unlock | F2 _H |
| Seek | 70 _H |
| Set Features | EF _H |
| Set Max Address | F9 _H |

Table 8 SATA standard commands (continued)

| Command name Note: Individual Set Max Address commands are identified by the value placed in the Set Max Features register as defined to the right. | Command code (in hex) Address: 00 _H Password: 01 _H Lock: 02 _H Unlock: 03 _H Freeze Lock: 04 _H | |
|---|---|--|
| Set Max Address Extended | 37 _H | |
| Set Multiple Mode | C6 _H | |
| Sleep | E6 _H | |
| S.M.A.R.T. Disable Operations | B0 _H / D9 _H | |
| S.M.A.R.T. Enable/Disable Autosave | B0 _H / D2 _H | |
| S.M.A.R.T. Enable Operations | B0 _H / D8 _H | |
| S.M.A.R.T. Execute Offline | B0 _H / D4 _H | |
| S.M.A.R.T. Read Attribute Thresholds | B0 _H / D1 _H | |
| S.M.A.R.T. Read Data | B0 _H / D0 _H | |
| S.M.A.R.T. Read Log Sector | B0 _H / D5 _H | |
| S.M.A.R.T. Return Status | B0 _H / DA _H | |
| S.M.A.R.T. Save Attribute Values | B0 _H / D3 _H | |
| S.M.A.R.T. Write Log Sector | B0 _H / D6 _H | |
| Standby | E2 _H | |
| Standby Immediate | E0 _H | |
| Write Buffer | E8 _H | |
| Write DMA | CA _H | |
| Write DMA Extended | 35 _H | |
| Write DMA FUA Extended | 3D _H | |
| Write DMA Without Retries | CB _H | |
| Write Log Extended | 3F _H | |
| Write Multiple | C5 _H | |
| Write Multiple Extended | 39 _H | |
| Write Multiple FUA Extended | CE _H | |
| Write Sectors | 30 _H | |
| Write Sectors Without Retries | 31 _H | |
| Write Sectors Extended | 34 _H | |
| Write Uncorrectable | 45 _H | |

4.3.1 Identify Device command

The Identify Device command (command code EC_H) transfers information about the drive to the host following power up. The data is organized as a single 512-byte block of data, whose contents are shown in on page 22. All reserved bits or words should be set to zero. Parameters listed with an “x” are drive-specific or vary with the state of the drive.

The following commands contain drive-specific features that may not be included in the SATA specification.

Table 9 Identify Device commands

| Word | Description | Value |
|-------|--|-------------------|
| 0 | Configuration information: Bit 15: 0 = ATA; 1 = ATAPI • Bit 7: removable media • Bit 6: removable controller • Bit 0: reserved | 0C5A _H |
| 1 | Number of logical cylinders | 16,383 |
| 2 | ATA-reserved | 0000 _H |
| 3 | Number of logical heads | 16 |
| 4 | Retired | 0000 _H |
| 5 | Retired | 0000 _H |
| 6 | Number of logical sectors per logical track: 63 | 003F _H |
| 7–9 | Retired | 0000 _H |
| 10–19 | Serial number: (20 ASCII characters, 0000 _H = none) | ASCII |
| 20 | Retired | 0000 _H |
| 21 | Retired | 0400 _H |
| 22 | Obsolete | 0000 _H |
| 23–26 | Firmware revision (8 ASCII character string, padded with blanks to end of string) | x.xx |
| 27–46 | Drive model number: (40 ASCII characters, padded with blanks to end of string) | |
| 47 | (Bits 7–0) Maximum sectors per interrupt on Read multiple and Write multiple (16) | 8010 _H |
| 48 | Reserved | 0000 _H |
| 49 | Standard Standby timer, IORDY supported and may be disabled | 2F00 _H |
| 50 | ATA-reserved | 0000 _H |
| 51 | PIO data-transfer cycle timing mode | 0200 _H |
| 52 | Retired | 0200 _H |
| 53 | Words 54–58, 64–70 and 88 are valid | 0007 _H |
| 54 | Number of current logical cylinders | xxxx _H |
| 55 | Number of current logical heads | xxxx _H |
| 56 | Number of current logical sectors per logical track | xxxx _H |
| 57–58 | Current capacity in sectors | xxxx _H |
| 59 | Number of sectors transferred during a Read Multiple or Write Multiple command | xxxx _H |
| 60–61 | Total number of user-addressable LBA sectors available (see Section 2.2 for related information) *Note: The maximum value allowed in this field is: 0FFFFFFFh (268,435,455 sectors, 137GB). Drives with capacities over 137GB will have 0FFFFFFFh in this field and the actual number of user-addressable LBAs specified in words 100-103. This is required for drives that support the 48-bit addressing feature. | 0FFFFFFFh* |
| 62 | Retired | 0000 _H |
| 63 | Multiword DMA active and modes supported (see note following this table) | xx07 _H |
| 64 | Advanced PIO modes supported (modes 3 and 4 supported) | 0003 _H |
| 65 | Minimum multiword DMA transfer cycle time per word (120 nsec) | 0078 _H |
| 66 | Recommended multiword DMA transfer cycle time per word (120 nsec) | 0078 _H |
| 67 | Minimum PIO cycle time without IORDY flow control (240 nsec) | 0078 _H |
| 68 | Minimum PIO cycle time with IORDY flow control (120 nsec) | 0078 _H |

Table 9 Identify Device commands (continued)

| Word | Description | Value |
|---------|--|---|
| 69–74 | ATA-reserved | 0000 _H |
| 75 | Queue depth | 001F _H |
| 76 | SATA capabilities | xxxx _H |
| 77 | Reserved for future SATA definition | xxxx _H |
| 78 | SATA features supported | xxxx _H |
| 79 | SATA features enabled | xxxx _H |
| 80 | Major version number | 01F0 _H |
| 81 | Minor version number | 0028 _H |
| 82 | Command sets supported | 364B _H |
| 83 | Command sets supported | 7F09 _H |
| 84 | Command sets support extension (see note following this table) | 4163 _H |
| 85 | Command sets enabled | 30xx _H |
| 86 | Command sets enabled | BE09 _H |
| 87 | Command sets enable extension | 4163 _H |
| 88 | Ultra DMA support and current mode (see note following this table) | xx7F _H |
| 89 | Security erase time | 0039 _H |
| 90 | Enhanced security erase time | 0039 _H |
| 92 | Master password revision code | FFFE _H |
| 93 | Hardware reset value | xxxx _H |
| 94 | Automatic acoustic management | 8080 _H |
| 95 | Stream Min. Request Size | 0000 _H |
| 96 | Streaming Transfer Time - DMA | 0000 _H |
| 97 | Streaming Access Latency- DMA and PIO | 0000 _H |
| 98–99 | Streaming Performance Granularity | 2710 _H / 0000 _H |
| 100–103 | Total number of user-addressable LBA sectors available (see Section 2.2 for related information). These words are required for drives that support the 48-bit addressing feature. Maximum value: 0000FFFFFFFFFh. | ST6000VN0011 = 11,721,045,168 ST5000VN0011 = 9,767,541,168 ST4000VN0011 = 7,814,037,168 ST3000VN0011 = 5,860,533,168 ST2000VN0011 = 3,907,029,168 |
| 104 | Streaming Transfer Time - PIO | 0000 _H |
| 105–107 | ATA-reserved | 0000 _H |
| 108–111 | The mandatory value of the world wide name (WWN) for the drive. NOTE: This field is valid if word 84, bit 8 is set to 1 indicating 64-bit WWN support. | Each drive will have a unique value. |
| 112–127 | ATA-reserved | 0000 _H |
| 128 | Security status | 0001 _H |
| 129–159 | Seagate-reserved | xxxx _H |
| 160–254 | ATA-reserved | 0000 _H |
| 255 | Integrity word | xxA5 _H |

Note Advanced Power Management (APM) and Automatic Acoustic Management (AAM) features are not supported.

Note See the bit descriptions below for words 63, 84, and 88 of the Identify Drive data.

| Description (if bit is set to 1) | | |
|----------------------------------|--|--|
| Bit | Word 63 | |
| 0 | Multiword DMA mode 0 is supported. | |
| 1 | Multiword DMA mode 1 is supported. | |
| 2 | Multiword DMA mode 2 is supported. | |
| 8 | Multiword DMA mode 0 is currently active. | |
| 9 | Multiword DMA mode 1 is currently active. | |
| 10 | Multiword DMA mode 2 is currently active. | |
| Bit | Word 84 | |
| 0 | SMART error login is supported. | |
| 1 | SMART self-test is supported. | |
| 2 | Media serial number is supported. | |
| 3 | Media Card Pass Through Command feature set is supported. | |
| 4 | Streaming feature set is supported. | |
| 5 | GPL feature set is supported. | |
| 6 | WRITE DMA FUA EXT and WRITE MULTIPLE FUA EXT commands are supported. | |
| 7 | WRITE DMA QUEUED FUA EXT command is supported. | |
| 8 | 64-bit World Wide Name is supported. | |
| 9-10 | Obsolete. | |
| 11-12 | Reserved for TLC. | |
| 13 | IDLE IMMEDIATE command with IUNLOAD feature is supported. | |
| 14 | Shall be set to 1. | |
| 15 | Shall be cleared to 0. | |
| Bit | Word 88 | |
| 0 | Ultra DMA mode 0 is supported. | |
| 1 | Ultra DMA mode 1 is supported. | |
| 2 | Ultra DMA mode 2 is supported. | |
| 3 | Ultra DMA mode 3 is supported. | |
| 4 | Ultra DMA mode 4 is supported. | |
| 5 | Ultra DMA mode 5 is supported. | |
| 6 | Ultra DMA mode 6 is supported. | |
| 8 | Ultra DMA mode 0 is currently active. | |
| 9 | Ultra DMA mode 1 is currently active. | |
| 10 | Ultra DMA mode 2 is currently active. | |
| 11 | Ultra DMA mode 3 is currently active. | |
| 12 | Ultra DMA mode 4 is currently active. | |
| 13 | Ultra DMA mode 5 is currently active. | |
| 14 | Ultra DMA mode 6 is currently active. | |

4.3.2 Set Features command

This command controls the implementation of various features that the drive supports. When the drive receives this command, it sets BSY, checks the contents of the Features register, clears BSY and generates an interrupt. If the value in the register does not represent a feature that the drive supports, the command is aborted. Power-on default has the read look-ahead and write caching features enabled. The acceptable values for the Features register are defined as follows:

Table 10 Set Features command

| | |
|-----------------|--|
| 02 _H | Enable write cache (<i>default</i>) |
| 03 _H | Set transfer mode (based on value in Sector Count register) Sector Count register values: |
| | 00 _H Set PIO mode to default (PIO mode 2) |
| | 01 _H Set PIO mode to default and disable IORDY (PIO mode 2) |
| | 08 _H PIO mode 0 |
| | 09 _H PIO mode 1 |
| | 0A _H PIO mode 2 |
| | 0B _H PIO mode 3 |
| | 0C _H PIO mode 4 (<i>default</i>) |
| | 20 _H Multiword DMA mode 0 |
| | 21 _H Multiword DMA mode 1 |
| | 22 _H Multiword DMA mode 2 |
| | 40 _H Ultra DMA mode 0 |
| | 41 _H Ultra DMA mode 1 |
| | 42 _H Ultra DMA mode 2 |
| | 43 _H Ultra DMA mode 3 |
| | 44 _H Ultra DMA mode 4 |
| | 45 _H Ultra DMA mode 5 |
| | 46 _H Ultra DMA mode 6 |
| 06 _H | Enable the PUIS feature set |
| 07 _H | PUIS feature set device spin-up |
| 10 _H | Enable use of SATA features |
| 55 _H | Disable read look-ahead (read cache) feature |
| 82 _H | Disable write cache |
| 86 _H | Disable the PUIS feature set |
| 90 _H | Disable use of SATA features |
| AA _H | Enable read look-ahead (read cache) feature (<i>default</i>) |
| F1 _H | Report full capacity available |

Note

At power-on, or after a hardware or software reset, the default values of the features are as indicated above.

4.3.3 S.M.A.R.T. commands

S.M.A.R.T. provides near-term failure prediction for disk drives. When S.M.A.R.T. is enabled, the drive monitors predetermined drive attributes that are susceptible to degradation over time. If self-monitoring determines that a failure is likely, S.M.A.R.T. makes a status report available to the host. Not all failures are predictable. S.M.A.R.T. predictability is limited to the attributes the drive can monitor. For more information on S.M.A.R.T. commands and implementation, see the *Draft ATA-5 Standard*.

SeaTools diagnostic software activates a built-in drive self-test (DST S.M.A.R.T. command for D4_H) that eliminates unnecessary drive returns. The diagnostic software ships with all new drives and is also available at:

<http://seatools.seagate.com>.

This drive is shipped with S.M.A.R.T. features disabled. Users must have a recent BIOS or software package that supports S.M.A.R.T. to enable this feature. The table below shows the S.M.A.R.T. command codes that the drive uses.

Table 11 S.M.A.R.T. commands

| Code in features register | S.M.A.R.T. command |
|---------------------------|--|
| D0 _H | S.M.A.R.T. Read Data |
| D2 _H | S.M.A.R.T. Enable/Disable Attribute Autosave |
| D3 _H | S.M.A.R.T. Save Attribute Values |
| D4 _H | S.M.A.R.T. Execute Off-line Immediate (runs DST) |
| D5 _H | S.M.A.R.T. Read Log Sector |
| D6 _H | S.M.A.R.T. Write Log Sector |
| D8 _H | S.M.A.R.T. Enable Operations |
| D9 _H | S.M.A.R.T. Disable Operations |
| DA _H | S.M.A.R.T. Return Status |

Note

If an appropriate code is not written to the Features Register, the command is aborted and 0x04 (abort) is written to the Error register.



Seagate Technology LLC

AMERICAS Seagate Technology LLC 10200 South De Anza Boulevard, Cupertino, California 95014, United States, 408-658-1000

ASIA/PACIFIC Seagate Singapore International Headquarters Pte. Ltd. 7000 Ang Mo Kio Avenue 5, Singapore 569877, 65-6485-3888

EUROPE, MIDDLE EAST AND AFRICA Seagate Technology SAS 16-18 rue du Dôme, 92100 Boulogne-Billancourt, France, 33 1-4186 10 00

Publication Number: 100771866, Rev. H

February 2016